

## Table of Contents

EN - English .....	10
Components .....	26
Unpacked Components .....	27
Front Components .....	27
<i>Components Inside Front Cover</i> .....	28
<i>Rear Components</i> .....	29
<i>Touch Screen Components</i> .....	30
<i>Wi-Fi Adapter USB Port</i> .....	31
Hardware Setup .....	32
<i>Ethernet Cable (Optional)</i> .....	32
<i>Wi-Fi Adapter (Optional)</i> .....	33
<i>Power, SmartDrive</i> .....	33
Startup .....	35
Loading Media .....	36
<i>Installing the Ink Cartridge</i> .....	37
<i>Loading Label Media</i> .....	38
Login .....	39
<i>Making a User Badge</i> .....	40
<i>Logging In</i> .....	40
Touch Screen User Interface .....	42
Printing a Syringe Label — Basic Use .....	43
Printing a Syringe Label — Advanced Operations .....	46
<i>Matching Container IDs</i> .....	46
<i>Mapped Master IDs (USA Only)</i> .....	47

<i>Drug Verification</i> .....	47
Monitoring Status.....	48
<i>Dashboard Status Information</i> .....	48
<i>System Information</i> .....	48
Maintenance.....	49
<i>Displaying the Utilities Screen</i> .....	49
<i>Clearing a Label Jam</i> .....	51
Clearing a Label Jam in the Front Media Guide .....	51
Clearing a Label Jam in the Rear Media Guide.....	52
Installing Update Packages.....	53
Shutdown and Power Off .....	55
Troubleshooting .....	55

ET - eesti .....	202
Komponendid .....	218
Pakkimata Komponendid.....	218
Esiosa Komponendid.....	219
<i>Komponendid Toas Esiosa Kate</i> .....	220

<i>Tagumine Komponendid</i> .....	221
<i>Puudutage Ekraan Komponendid</i> .....	222
<i>WiFi Adapter USB Port</i> .....	223
<i>Riistvara Seadistamine</i> .....	224
<i>Ethernet Kaabel (Valikuline)</i> .....	224
<i>WiFi Adapter (Valikuline)</i> .....	225
<i>Võimsus, SmartDrive</i> .....	225
<i>Käivitamine</i> .....	227
<i>Laadimine Meedia</i> .....	228
<i>Paigaldamine Tint Kassett</i> .....	229
<i>Laadimine Silt Meedia</i> .....	230
<i>Logi sisse</i> .....	231
<i>Valmistamine a Kasutaja Märk</i> .....	232
<i>Logimine Sisse</i> .....	232
<i>Puudutage Ekraan Kasutaja Liidese</i> .....	234
<i>Trükkimine a Süstal Silt - Põhiline Kasutage</i> .....	235
<i>Trükkimine a Süstal Silt - Täpsem Operatsioonid</i> .....	238
<i>Sobitamine Konteiner ID-d</i> .....	238
<i>Kaardistatud Meister ID-d (USA Ainult)</i> .....	239
<i>Narkootikum Kontrollimine</i> .....	239
<i>Järelevalve Staatus</i> .....	240
<i>Armatuurlaud Staatus Teave</i> .....	240
<i>Süsteem Teave</i> .....	241
<i>Hooldus</i> .....	241
<i>Kuvamine Utiliidid Ekraan</i> .....	241

<i>Kliirimine a Silt Moos</i> .....	243
Kliirimine a Silt Moos aastal Esiosa Meedia Giid.....	243
Kliirimine a Silt Moos aastal Tagumine Meedia Giid .....	244
Paigaldamine Uuenda Paketid.....	245
Lülita välja ja Võimsus Väljas .....	247
Tõrkeotsing.....	247

# Safe Label System®

# Drug Labeling Solution

*EN - English*

## **Documentation Notice**

This document is part of the EU MDR requirements. The Codonics Safe Label System® Product is a Class I medical devices intended for use by Healthcare Professionals. Product packaging and labeling, including Graphic User Interface (GUI) for operation are offered in English and meet MDR, Annex I, Chapter III, 23.4, taking account the training and the knowledge of the potential user.

Web information, Key Specifications, Intended Use, User Manual Appendices, Quick Start Guide and Setup IFU (Instructions for use) are available in basic translation for Member State Languages. Primary IFU are available in English.

Codonics Products are Class I products intended for use by Healthcare Professionals. Products packaging and labeling, including Graphic User Interface (GUI) for operation are Offered in English and meet MDR, Annex I, Chapter III, 23.4, taking account the training and the knowledge of the potential user.

\*Web information, Key Specifications, Intended Use, User manual Appendix, Quick Start Guide & Setup IFU are available in simple translation Member State Languages; primary IFU are available in English

## Overview:

Codonics Safe Label System SLS 550i Point of Care Station (PCS) is the standard of care in the world's leading hospitals. An award-winning FDA Class II medical device, the system improves the safety and accuracy of medication management and labeling compliance anywhere medications are prepared. In the OR, SLS integrates with anesthesia medication carts to electronically identify the drug in hand. Visual and audible confirmation based on the NDC of the vial/ampoule provides clinicians with a real-time safety check that acts as a second set of eyes, helping to eliminate the most prevalent medication errors. On demand, SLS produces a ready-to-apply TJC-compliant label that includes a barcode that captures the NDC from the parenteral vial for integration at administration with Epic and Cerner. When used in conjunction with Codonics SLS-WAVE, this process electronically documents the patient record 'hands-free' to improve charge capture, billing accuracy and 340B compliance, creating standardization and enabling BCMA in the OR.

## Safe Label System:

Integrates with existing workflows, adding TJC compliance and pharmacy oversight at every location where on-demand medications are prepared, such as the OR, ICU, PACU, patient floors and pharmacy

Provides clinicians with electronic medication safety checks while increasing productivity

Allows hospital-approved drugs, diluents, concentrations, and total dose/total volume preparations to be integrated with worldwide recognized best practices and international standards in a formulary managed by pharmacy and available at the fingertips of anyone preparing medications

Captures the exact NDC of the parenteral vial and carries it to the prepared label to provide 100% accurate documentation for charge capture and 340B accountability

Can be managed remotely including software updates and provides status feedback to specified users via the Administration Tool and Email Notifier (optional)

When used in conjunction with SLS-WAVE, the complete solution enables 'hands-free' integration with Epic and Cerner to maximize revenue, improve patient outcomes and clinician workflow by reducing manual clicks

## Improve Patient Safety

Errors in preparation and selection as well as documentation inaccuracies occur for a number of reasons. Multiple distractions, poor handwriting and look-alike /sound-alike drugs greatly contribute to the potential for medication errors. SLS embraces the call to improve patient and medication safety by:

Reduces the most common drug errors made during the selection, preparation and administration of injectable and intravenous medications in the OR, including vial/ampoule swaps, mislabeling/illegible labeling, syringe swaps and expired syringes

Meets the ISMP and APSF recommendations that every anesthetizing location should have a mechanism to identify medications before drawing them up or administering them (barcode reader)

Automatically presents clinicians with visual and audible confirmations of each drug and concentration, incorporating electronic safety checks to remove the element of human error

## Specifications

System: Integrated touch screen computer, 2D barcode scanner, color ink jet printer, audio feedback and network capable  
(Ethernet standard, Wi-Fi optional)

Power: Universal Input: 100-240 VAC, 50/60 Hz

Dimensions: 10.43 " (26.5 cm) W, 15.67" (39.8 cm) D, 16.50 " (41.9 cm) H

Weight: 14.5 lbs. (6.6kg)

Regulatory: Full medical device compliance including Class 2 FDA and Class I MDR 2017/745/EU (CE), GMP/QSR, ISO 13485:

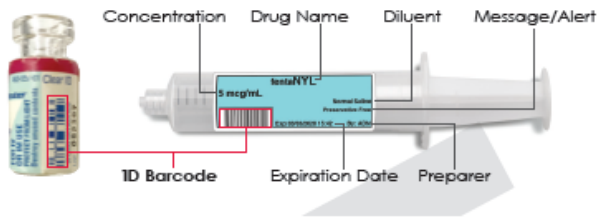
2016/NS-EN ISO 13485:2016, Electrical Safety IEC 60601-1 Ed. 3.1 and EMC/EMI: FCC Class A and IEC 60601-1-2: Ed. 4 for Professional Healthcare Facilities

Readable Barcodes: Code 128, GS1-128, Data Matrix, UPC-A, UPC-E, EAN-13, EAN-8, GS1 DataBar Family, Interleaved 2 of 5, ITF-14, Code 39, Code 32, ISBT 128, QR Code

Writable Barcodes: Data Matrix, EAN-13/UPC-A

### Exact NDC matching vial to syringe

Captures NDC of parenteral vial, providing 100% accurate documentation for charge capture and the exact NDC for 340B accountability





Prints full-color labels that comply with The Joint Commission NPSG.03.04.01\*, and meet the intent of ISO 26825, ASTM 4774 Standards & ASA Guidelines

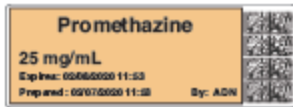
\*Prints diluent and dilution if required



Shown with patient information when integrated with EMR/ADC



Shown with auxiliary barcode



60 mm x 22 mm standard size labels



Barcode for EHR/AIMS integration

# SLS User Manual

## Preface

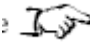
### Conventions Used in This Manual

#### Bulleted Lists

Bullets are used to display a list of nonprocedural items. For example:  
The following events trigger a synchronization of SLS data to that stored on the SmartDrive:

Automatically every 15 minutes  
Formulary updates

## *Numbered Steps*

The  icon indicates the beginning of a procedure. The steps in a procedure are numbered. For example:

- Open the front cover.
- Press the Ink button.

## Notes

Notes contain additional information related to a topic or procedure. For example:

NOTE: The system will ensure that a test print is performed at least once a day.

## Cautions and Warnings

Cautions alert you to actions or situations that could cause harm to equipment or data.

For example:

Warnings alert you to actions or situations that could result in personal injury. For example:

## Important Information and Filenames

Bold type is used for emphasis, user interface object names, and paths or filenames.

For example:

- The Barcode Scanner scans drug container barcodes for identity and verification.
- Use the controls to correct the date and time, then press the OK button.

## *Purpose and Scope*

Refer to this User's Manual for procedures on how to perform Safe Label System (SLS) user operations, including:

- Setting up the hardware and software
- Performing basic functions such as logging in and out, and configuring some System settings (for example, sound volume, brightness)
- Printing and confirming syringe labels
- Checking drug syringes by scanning their barcodes
- Maintaining the system
- Monitoring system status and troubleshooting common problems

## Product Information

For technical assistance with SLS Point of Care Station, call Codonics Technical Support at the following number:

**Phone: +1 440.243.1198**

**Toll Free: 800.444.1198 (USA only)**

Technical Support is available 24/7/365. Technical Support is also available online via email and the Codonics web site:

**Email: [support@codonics.com](mailto:support@codonics.com)**

**Web Sites: [www.codonics.com](http://www.codonics.com)**

General product information can also be requested by sending email to:

**Email: [info@codonics.com](mailto:info@codonics.com)**

Please include your postal mailing address and telephone number in the email message.

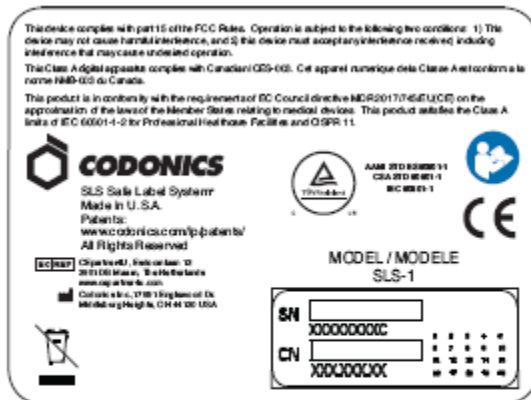
Basic product information is returned via email unless otherwise requested.

## Warnings and Limitations of Use

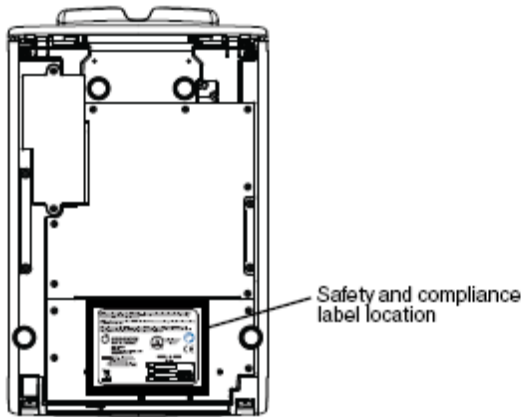
### Location of Safety and Compliance Labels

Codonics is in compliance with various regulations.

The SLS PCS safety and compliance label, shown below, is located on the bottom of the device (shown on the following page).



**SLS PCS safety and compliance label**



*SLS PCS safety and compliance label, on bottom of device*

### *Voltage Warning*

The exclamation point within a triangle is intended to alert the user to the presence of important operating and maintenance (servicing) instructions in the literature accompanying this device.



REFER SERVICING TO QUALIFIED SERVICE PERSONNEL. REMOVAL OF LABELS, COVERS, OR ENCASMENT FASTENERS MAY VOID THE WARRANTY. THIS APPARATUS MUST BE ELECTRICALLY GROUNDED. TO PREVENT FIRE OR SHOCK HAZARD, DO NOT EXPOSE THIS DEVICE TO RAIN OR MOISTURE.

EQUIPMENT IS NOT TO BE USED AS A COMPONENT OF A LIFE SUPPORT SYSTEM. Life support devices or systems are devices or systems that support or sustain life, and whose failure to perform can be reasonably expected to result in a significant injury or death to a person. A critical component is any component of a life support device or system whose failure to perform can be reasonably expected to cause the failure of the life support device or system, or to affect its safety or effectiveness.

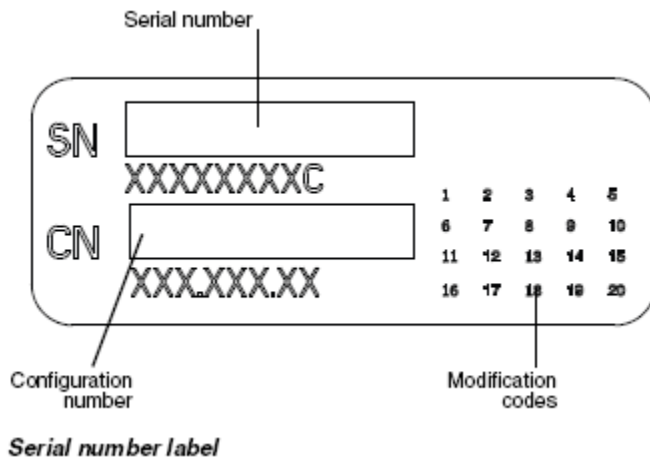
### *Laser Warning*

WARNING This device emits CDRH/IEC Class 2 laser and IEC Class 1M light. Do not stare into beam.

### *Serial Number, Configuration, Date Code, and Modification Codes*

The serial number label is placed onto the safety and compliance label. The serial number label includes the following information:

The serial number (SN), which uniquely identifies the unit.  
The configuration number (CN), which details the build configuration.  
The modifications codes, which are to the right of the CN number and are a series of 20 numbers. When any of these numbers are blocked out, that identifies a modification that was made to the unit.



### *Potential for Radio Frequency Interference on Device Operation*

Both portable and mobile RF communications equipment can affect medical electrical equipment, including SLS PCS. SLS PCS is intended for use in the electromagnetic environment specified in the guidance and manufacturer's declaration section.

### Potential for Radio and Television Interference

SLS PCS generates and uses radio frequency energy, and if not installed and used properly, that is, in strict accordance with the manufacturer's instructions, may cause interference to radio and television reception. It has been type tested and found to comply with Class A emission limits for a computing device in accordance with the specifications in Subpart J of Part 15 of FCC Rules, which are designed to provide reasonable protection against such interference when operating in a commercial environment. SLS PCS is not intended for use in a residential Class A environment. SLS PCS requires a medical power/ground. If your SLS does cause interference to radio or television reception, you are encouraged to try to correct the interference by one or more of the following measures:

- Reorient the receiving antenna
- Relocate SLS PCS with respect to the receiver

If necessary, you should consult Codonics Technical Support or an experienced

radio/television technician for additional suggestions. You may find the following booklet prepared by the Federal Communications Commission helpful: *How to Identify and Resolve Radio-TV Interference Problems*. This booklet is available from the U.S. Government Printing Office, Washington, D.C. 20402, Stock No. 004-000-00345-4.

This product is in conformity with the protection requirements of EC Council directive MDR 2017/745/EU(CE) on the approximation of the laws of the Member States relating to medical devices. This product satisfies the Class A limits of IEC 60601-1-2 for Professional Healthcare Facilities and CISPR 11. A declaration of conformity with the requirements of the Directive has been signed by a Codonics vice president.

### *Guidance Regarding Electromagnetic Emissions and Immunity*

Suitable environments are as follows:

SLS550i is intended for use in hospital and clinical environments including operating rooms and the perioperative environment.

SLS550i has not been evaluated for use near HF surgical equipment. If use near HF surgical equipment is desired, the user is responsible for verifying proper operation of the SLS550i. If SLS550i does not perform correctly in this environment, move the SLS550i farther from the source of the electromagnetic disturbance.

SLS550i has not been evaluated for use in emergency medical vehicles or in residential applications.

**NOTE:** The radio frequency emissions characteristics of this equipment make it suitable for use in industrial areas and hospitals (CISPR 11 class A). If it is used in a residential environment (for which CISPR 11 class B is normally required) this equipment might not offer adequate protection to radio-frequency communication services. The user might need to take mitigation measures, such as relocating or re-orienting the equipment.

As a support device, SLS550i does not provide essential performance.

**WARNING** Use of this equipment adjacent to or stacked with other equipment should be avoided because it could result in improper operation. If such use is necessary, this equipment and the other equipment should be observed to verify that they are operating normally.

**WARNING** Use of accessories, transducers and cables other than those specified or provided by the manufacturer of this equipment could result in increased electromagnetic emissions or decreased electromagnetic immunity of this equipment and result in improper operation.

**WARNING** Portable RF communications equipment (including peripherals such as antenna cables and external antennas) should be used no closer than 30 cm (12 inches) to any part of the SLS550i, its cables, or accessories. Otherwise, degradation of the performance of this equipment could result.

## *Electromagnetic Emissions Standards and Test Level*

<b>Test/Standard</b>	<b>Compliance</b>
RF Emissions CISPR 11	Group 1. Class A
RF Emissions FCC Part 15	Class A
Conducted Emissions CISPR 11	Group 1. Class A
Harmonic Distortion IEC 61000-3-2	Class A
Voltage Fluctuations and Flicker IEC 61000-3-3	Complies

## *Electromagnetic Immunity Standards and Test Levels*

<b>Test/Standard</b>	<b>Compliance</b>
Electrostatic Discharge IEC 61000-4-2	+8 kV contact +-2 kV, +4 kV, +8 kV, +-15 kV air
Radiated RF Immunity IEC 61000-4-3	3 V/m 80 MHz – 2.7 GHz 80% AM at 1 kHz
Proximity fields from RF wireless equipment IEC 61000-4-3	Complies

Test/Standard	Compliance
Electrical Fast Transient/Burst	AC Port: $\pm 2$ kV, 100 kHz repetition frequency
IEC 61000-4-4	SIP/SOP Ports: $\pm 1$ kV, 100 kHz repetition frequency
Surge	Line-to-Line: $\pm 0.5$ kV, $\pm 1.0$ kV
IEC 61000-4-5	Line-to-Ground: $\pm 0.5$ kV, $\pm 1.0$ kV, $\pm 2.0$ kV
Conducted Immunity	AC Port and SIP/SOPs:
IEC 61000-4-6	3 V, 0.15 MHz – 80 MHz 6 V, in ISM bands between 0.15 MHz and 80 MHz 80% AM at 1 kHz
Magnetic Field Immunity	30 A/m, 50 Hz or 60 Hz
IEC 61000-4-8	
Voltage Dips	0% UT, 0.5 cycle at 0°, 45°, 90°, 135°, 180°, 225°, 270° and 315°
IEC 61000-4-11	0% UT, 1 cycle AND 70% UT, 25/30 cycles, Single phase: at 0°
Voltage Interruptions	0% UT, 250/300 cycle
IEC 61000-4-11	

## *Safety Precautions*

- Never connect the device’s external power supply to any outlet or power supply that has a voltage or frequency different than that specified (100 – 240 VAC, 50/60 Hz). Use only the external power supply provided with the device (Codonics part Number SLS-PS).
- When replacing the device, always power it down (refer to “Powering Off the System”) and disconnect the AC power cord prior to servicing it.
- Damage to a power cord is a fire and shock hazard. When unplugging a power cord, hold it by the plug only and remove the plug carefully.
- If a power cord or external power supply needs to be replaced, replace it only with another Codonics power cord or Codonics external power supply. Alternatively, replace it with a power cord or external power supply manufactured specifically for your power configuration.
- If the device is smoking or making unusual sounds, power off and unplug the device immediately.
- Do not insert foreign objects of any kind into the device; doing so can constitute a safety hazard and cause extensive damage.
- Do not place any liquid containers on the device. If, for some reason, liquid seeps into the device, power off the device and unplug the power cord from the source outlet. If used without taking corrective measures, the device may be damaged.
- Do not expose the device to flammable gases in concentrations high enough to cause fire or explosion.

## *Location Precautions*

- The operating ambient temperature range of SLS PCS is 15–30°C (59–86°F), with a relative humidity of 20%–80%.



- If SLS PCS is moved quickly from an extremely cold location to a warmer one, condensation is likely to form. Do not use SLS PCS if condensation has formed.
- Wait until the condensation has evaporated. You can speed up the evaporation time by moving SLS PCS to a dryer location.
- Do not place SLS PCS in a location with high humidity or high dust. Airborne dirt particles can cause print quality problems. Avoid placing SLS PCS in locations where ventilation ducts, open doors, or frequent passers-by might expose SLS PCS and labels to high levels of debris.
- Do not locate SLS PCS in hot-springs areas where hydrogen sulfide and acidic ions are likely to be generated.
- Do not locate SLS PCS where there are oily fumes and vapors.
- Do not locate SLS PCS in direct sunlight.
- Do not locate SLS PCS near sources of high RF energy.
- Do not locate SLS PCS where it might be subject to jarring or vibrations, such as a table or desk in a high-traffic area. Jarring and vibrations can affect the print quality of labels.
- If using a VESA mount to mount the device on a wall, stand, or anesthesia supply cart, refer to the VESA Mounting Interface Standard (MIS), available at [www.vesa.org](http://www.vesa.org), for proper location and installation information.

## *Cleaning Precautions*

To avoid damage to the device, observe the following general precautions for cleaning the device:

- Apply the cleaner to a clean, lint-free cloth first and then clean the device.
- Liquid applied directly to the device could possibly leak inside the device and cause damage. Use extra caution when cleaning around the vents on the back of the touchscreen and speaker.
- Allow the device to completely dry before operating it again.
- Many plastic components are used in SLS PCS construction. Coat flecking and deformation is likely to occur if the device is wiped with chemical dusters, benzene, thinners, insecticides, or other solvents. Rubber and PVC materials left in contact with SLS PCS for extended periods of time will cause damage. Never use petroleum-based solutions or abrasive cleansers.
- Never use abrasive material.
- Always dilute cleaning agents according to the manufacturer's instructions, or use the lowest possible concentration.
- Do not allow the cleaning agent to remain on the device surfaces. Wipe it off immediately with a lint-free cloth moistened with water.

For cleaning instructions, refer to "Cleaning the Enclosure".

It is recommended that you disinfect the product only when necessary as determined by your hospital's policy, to avoid long-term damage to the product.

The device must be cleaned first, as described in “Cleaning the Enclosure”, before using a general disinfecting agent.

## *Cleaning the Enclosure*

**WARNING** Always power off the system before cleaning. An electrical shock could occur if the system is powered on and liquid is spilled into it.

To clean the system’s enclosure, use a clean, lint-free cloth moistened with either warm water and mild soap, a diluted non-caustic detergent, or one of the following approved cleaning agents:

Ammonia: Dilution of Ammonia <3%  
Alcohol: Ethanol 70%, Isopropanol 70%.

- **Over time, ink overspray might gather at the base of the device. The device uses a vacuum system to gather most of this ink on a series of saturation pads.**
- **Eventually, these pads might need to be replaced. Contact Codonics Technical Support to determine if pad replacement is necessary.**
- **If ink has gotten onto the system’s enclosure, it can be cleaned with an ammonia based window cleaner and a lint-free cloth.**
- **If scanning barcodes is inconsistent or the device is having difficulty scanning, clean the scanner’s glass window.**

## *Disinfecting the Enclosure*

Recommended disinfecting agents include:

1 part household bleach and 5 parts water solution  
A-456-N  
Virex II 256  
PDI Sani-Cloth®

**WARNING** Codonics makes no claims regarding the efficacy of the listed chemicals or methods as a means of controlling infection. Consult your hospital’s infection control officer or epidemiologist.

## *Disinfecting Precautions*

To avoid damage to the device, observe the following general precautions for disinfecting the device:

- **Do not use Povodine, Sagrotan, or Mucocit disinfecting agents or strong solvents (for example, acetone).**
- **Do not use any disinfecting agents that corrode or damage polycarbonate.**

## *Media Precautions*

- **Unwanted labels should be destroyed or disposed of to ensure that improper labels are not used.**
- **Only use Codonics ink cartridges and labels to ensure proper operation of the device and proper labeling of syringes. Using unapproved ink cartridges and labels could lead to unacceptable results, including poor print quality and poor label adhesion to syringes.**
- **Damage from unapproved ink or labels will void the warranty.**
- **Never refill ink cartridges, as this can result in incorrect color usage.**

## *Disposal Requirements*

Disposal of this product and consumables shall be in accordance with all applicable laws and regulations in effect at the locality at the time of disposal. For additional information, refer Hazardous Material Information.

## *European Disposal Requirements*

Codonics imagers and electronic accessory devices are not to be discarded or recycled; rather they are to be returned to the manufacturer. Contact Codonics directly or by the link provided for the latest information concerning:

Identification of the country-specific Importer/Distributor/Producer  
Product return and treatment of our electronic products

Manufacturer: Codonics Inc.  
17991 Englewood Drive  
Middleburg Heights, OH 44130 USA  
Phone: +1 440.243.1198  
Fax: +1 440.243.1334  
E-mail: [WEEE@codonics.com](mailto:WEEE@codonics.com)  
[www.codonics.com](http://www.codonics.com)

Codonics electronic products and accessories bearing the following symbol are subject to European Directive on Waste Electrical and Electronic Equipment (WEEE) 2002/96/EC, amended by Directive 2003/108/EC. The EN 50419 symbol indicates separate collection and return required.



*EN 50419 symbol*

## *Indications for Use*

### *Device Description*

Drug preparation and administration in the perioperative environment are integral aspects of anesthesiologist's patient care responsibilities. The Codonics Safe Label System (SLS) is a simple, integrated system utilizing a barcode scanner to read and confirm drug identity from FDA NDC (National Drug Code) and other drug ID Barcodes from drug containers and automatically print labels for prepared drugs and other items in use on patients during surgical procedures. The labels are compliant with national regulations focused on improving medication safety in the perioperative environment.

The software components provide functions for scanning container barcodes; creating, reviewing, and approving the hospital-managed promotion of a formulary database; displaying on-screen and audibly confirming drug type; and printing ISO, ASTM, and TJC (The Joint Commission) content- and color-compliant labels with 1D and/or 2D barcodes. The system reads drug container barcodes and produces water resistant, color labels. The system can be integrated to function with an Anesthesia Information Management System (AIMS) workflow to provide real-time documentation of drug administration when the syringe 1D or 2D barcode is read. The system can be accessed and managed via a network (Ethernet or Wi-Fi).

### *Device Characteristics*

The use of drug class specific pattern and color per ASTM D4774 and ISO 28625 Specifications for User Applied Drug Labels in Anesthesiology is configurable by site and dataset. *Formularies* (datasets) are uniquely named configurations that may differ in drugs, colors, dilutions, and comments to accommodate different practices within a single site or hospital (for example, pediatric versus cardiac).

Additional uses include producing labels for IVs and other artifacts used during a surgical procedure.

The Codonics SLS is generally placed in, however not limited to, the perioperative environment to identify syringes prepared for anesthesiology use during surgery.

Typical users of this system are trained professionals, including but not limited to physicians, nurses, and technicians.

The major characteristics and functions of the family of devices include:

- **Scanning the drug container barcode directly from a vial or other type of container**
- **Decoding the manufacturer-issued barcode into the required FDA National Drug Code (NDC) or Unique Drug Identifier (UDI) number**
- **Referring the NDC/UDI number to a site-managed formulary lookup database**

- Providing audio and ISO-compliant visual “readback” of the drug name
- Providing an alert if the drug container is listed as “recalled/obsolete” in the site’s formulary
- Printing an easy-to-read, water resistant ISO 26825 compliant color label meeting The Joint Commission medication management standards and the American Society of Anesthesiologists guidelines for labeling
- Providing the basic information by which the printed label barcode can be read to document medication administration in an AIMS
- Printing labels with insertion and expiration date and time for IV lines

### *Device Indications for Use Statement: Prescription Use Device*

The Codonics SLS PCS device and SLS software provides a simple computer-based barcode scanning and printing system to automatically verify drug identity from NDC and other drug container UDI barcodes, and to print labels for prepared drugs and other items in use on patients during surgical procedures.

The Codonics SLS PCS is generally placed in, however not limited to, the perioperative environment to identify syringes prepared for anesthesiology use during surgery. Additional uses include producing labels for IVs and other artifacts used during a surgical procedure. SLS PCS can also be used to print “non-surgical environment” color and text labels as required. Typical users of this system are trained professionals, including but not limited to physicians, nurses, and technicians.

**CAUTION** Federal law restricts this device to be sold for use by or on the order of a physician.

## *Hazardous Material Information*

### *Materials of Construction*

Codonics has set very stringent standards for evaluating products to ensure the marketing of regulatory compliant products worldwide.

We do not intentionally add, nor are we aware, that the products or packaging contain the following materials:

- Mercury, except as used in lamp applications (for example, scanning lamps, backlit LCDs).
- Cadmium, except as used as thick film inks on printed circuit boards.
- Hexavalent Chromium, except as used as thick film inks on printed circuit boards, as chromate conversion coatings on metal surfaces, and as a photoresist on glass panels of cathode ray tubes.
- Polybrominated diphenyl ethers and polybrominated biphenyls.
- Bioavailable arsenic (small amounts of arsenic used in glass, LEDs, and semiconductors are not considered to be bioavailable).

- **Bioavailable crystalline silica (small amounts of crystalline silica are used in Certain paints, coatings, and filler materials).**
- **Polychlorinated biphenyls (PCBs).**
- **Asbestos.**
- **Organic tin (not used in tin lead solder applications).**
- **Ozone-depleting substances such as chlorofluorocarbons, methyl chloroform, and carbon tetrachloride.**

## *Manufacturing*

During manufacturing operations that produce Codonics products (including packaging), no ozone depleting substances (such as chlorofluorocarbons, methyl chloroform, and carbon tetrachloride) are used.

## *Specifications*

System: Integrated capacitive touch screen computer, 2D barcode scanner, color ink jet printer, audio feedback, and provision for a network interface

Ink Cartridges: One color cartridge (CMY)

SmartDrive: USB flash drive for storing configuration data, formulary database, log files

Readable Barcodes: GS1 DataBar Limited (RSS Limited), GS1 DataBar Stacked (RSS-14 Stacked), GS1-128, UPC-A, Data Matrix, Code 128, Code 128 barcodes with GS1-128, Code 39, Code 32,

IFT-14, Interleaved 2 of 5, EAN-8, EAN-13

Writable Barcodes: Data Matrix

Network Interfaces: Ethernet (RJ-45), included standard

Wi-Fi (USB-2 adapter), optional, available from Codonics

Network Speeds: Ethernet, full duplex 100 Base-T only

Wi-Fi, 802.11 b/g/n (2.4 GHz) and 802.11 a/n/ac (5.0 GHz)

Network Protocols: SSH (Secure Shell) and SCP (Secure Copy)

Used to access SLS PCS from Codonics-authorized applications

Dimensions: Height: 16.5 in. (41.9 cm)

Width: 10.43 in. (26.5 cm)

Depth: 15.67 in. (39.8 cm)

Weight: 14.5 lbs (6.6 kg)

Power: Universal Input: 100-240 VAC, 50/60 Hz

Environmental: *Operating:*

Temperature: 15–30°C (59–86°F)

Humidity: 20%–80% noncondensing

*Shipping and Storage:*

Altitude: Sea Level to 5790 m

Temperature (Hardware): -22.2–51°C (-8–123.8°F)

Temperature (Ink Cartridge and Label Media): 1–43°C (34–110°F)

Humidity (Hardware): 5%–85% noncondensing

Humidity (Ink Cartridge and Label Media): 5%–80% noncondensing

Medical Compliance FDA cleared to market per 510(k) K101439 Class II, MDR CE (Class I),

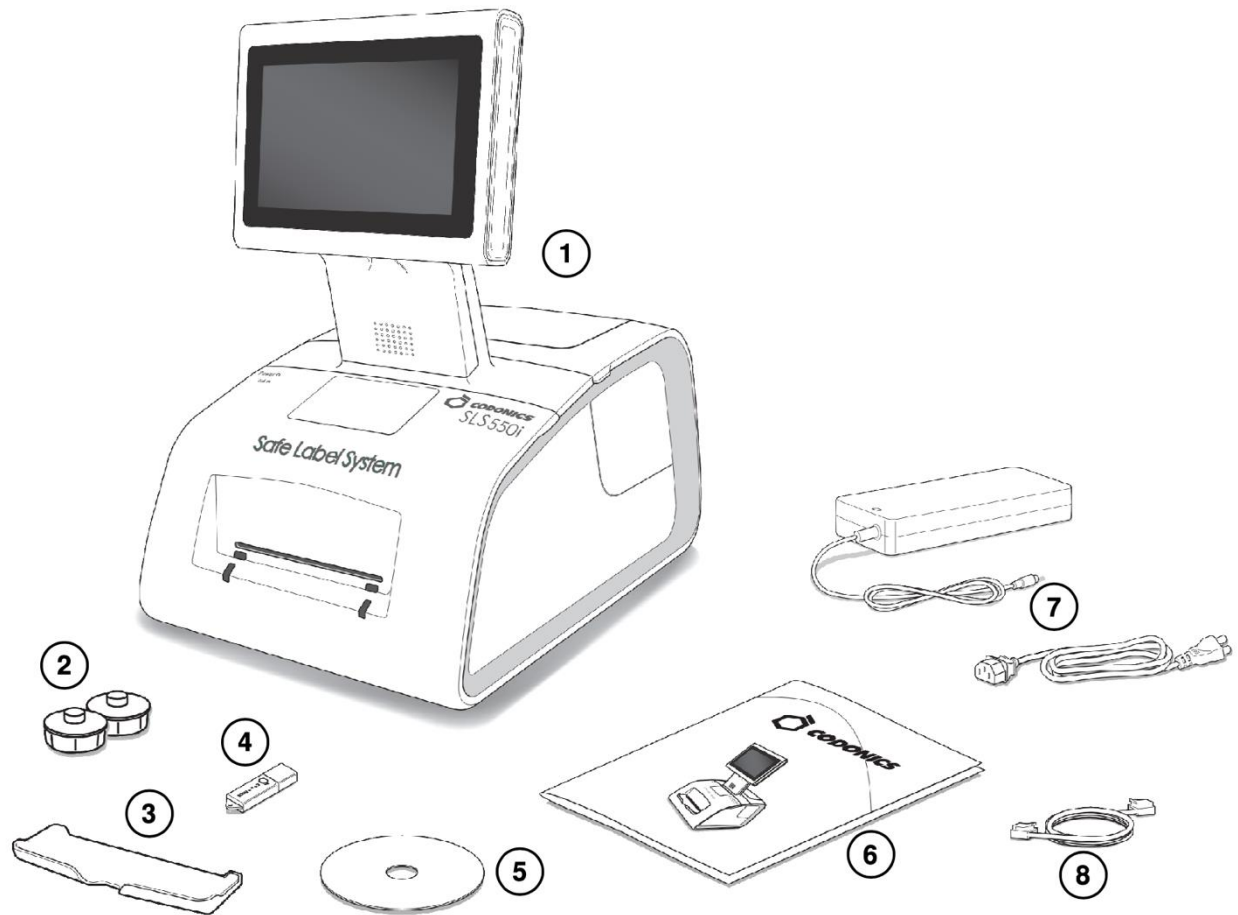
and Regulatory: GMP/QSR ISO 13485:2016, Safety IEC 60601-1 and EMC IEC 60601-1-2 for Professional Healthcare facilities

Classification: Class II equipment, Product Code BSZ, Regulation Number 868.5160

**CAUTION** Federal law restricts this device to be sold for use by or on the order of a physician

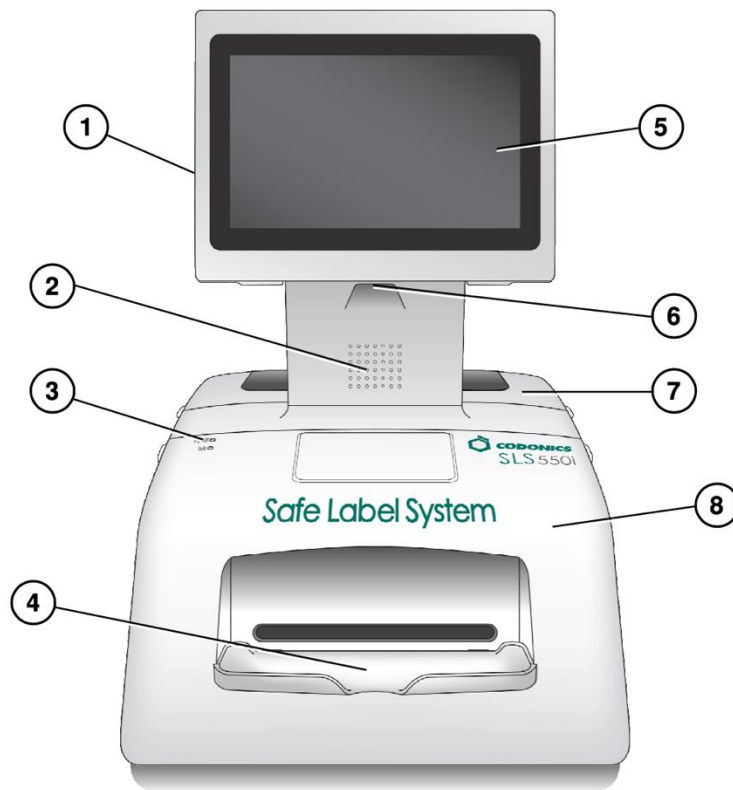
## *Components*

# Unpacked Components



1. Safe Label System
2. Label media hubs
3. Output bin
4. SmartDrive
5. User's Manual disc
6. Reference guide and other documentation
7. External power supply and cord
8. Ethernet cable

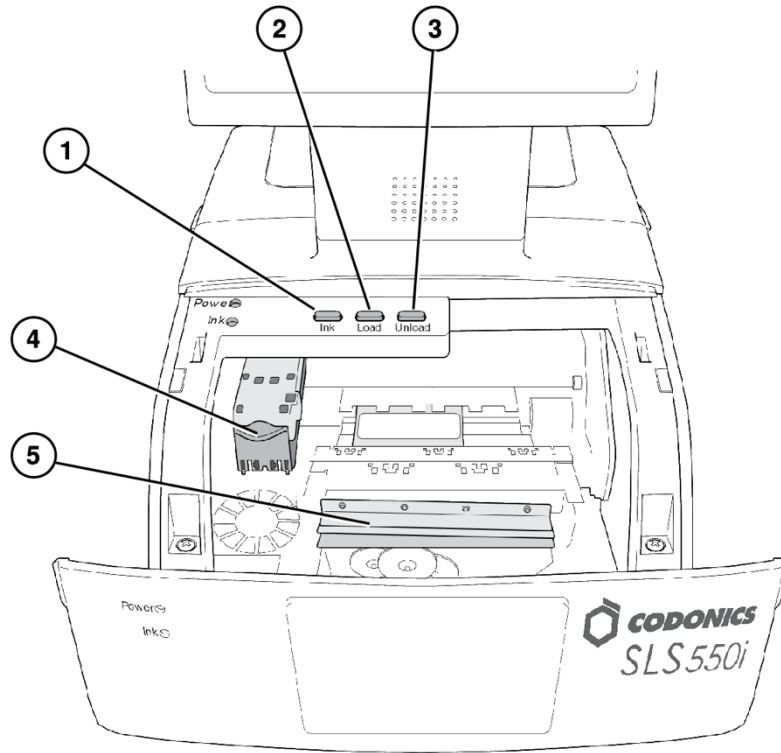
# Front Components



1. Touch screen USB port 1
2. Audio speaker
3. System power LED
4. Output bin (installed)
5. Touch screen
6. Barcode scanner
7. Rear cover
8. Front cover

*Components Inside Front Cover*

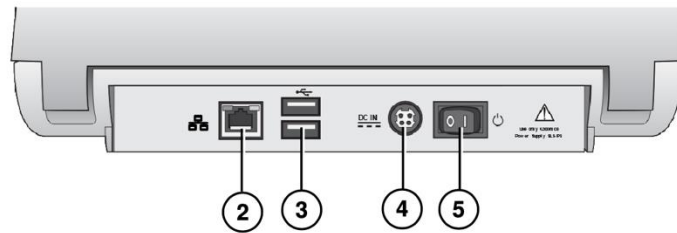
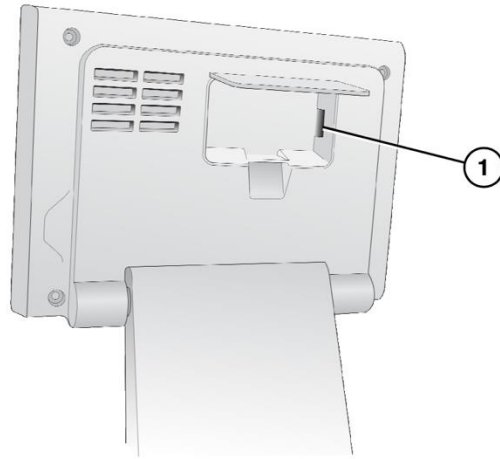




- 1. Ink button
- 2. Load button
- 3. Unload button
- 4. Ink cartridge carriage
- 5. Label cutter

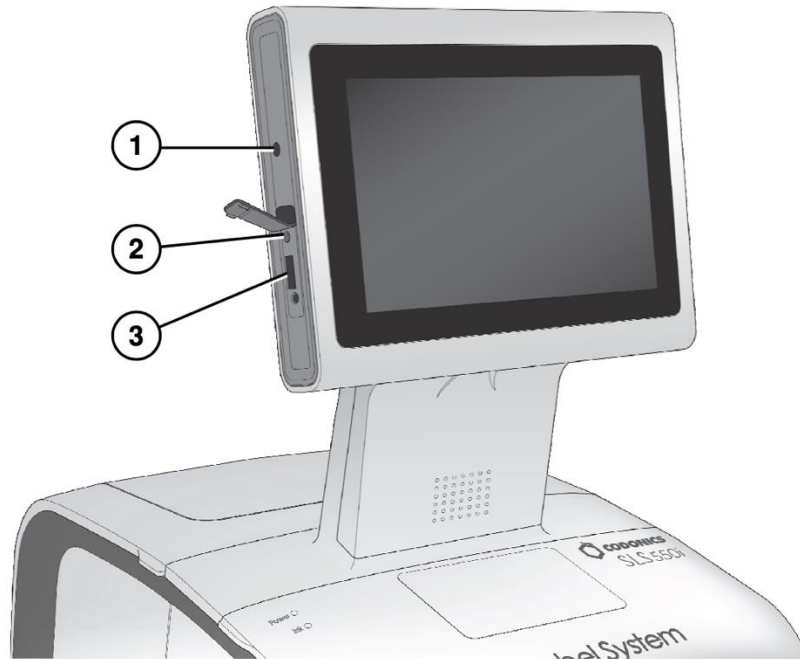
**WARNING:** When the front cover is open, avoid contact with the label cutter.

## *Rear Components*



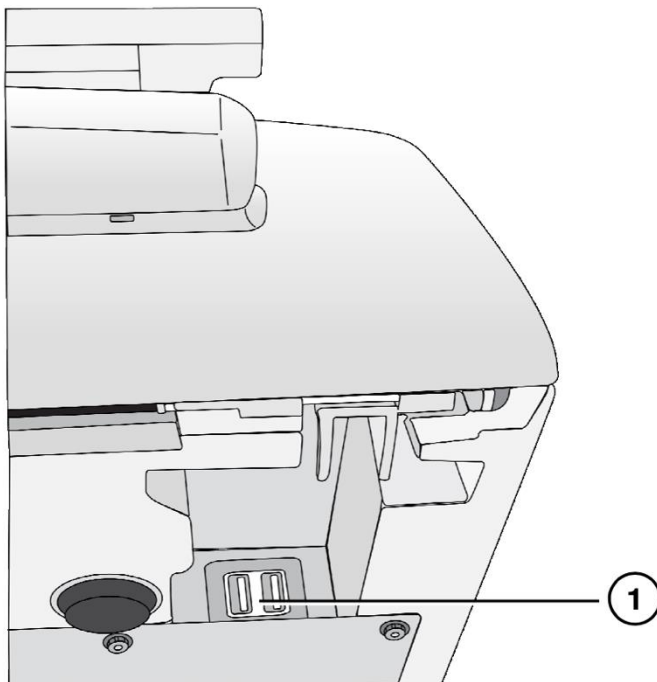
1. SmartDrive USB port 2
2. Ethernet port
3. USB ports
4. Power input port
5. Power switch

## *Touch Screen Components*



- 1. Power LED
- 2. Reset button
- 3. USB port

## Wi-Fi Adapter USB Port

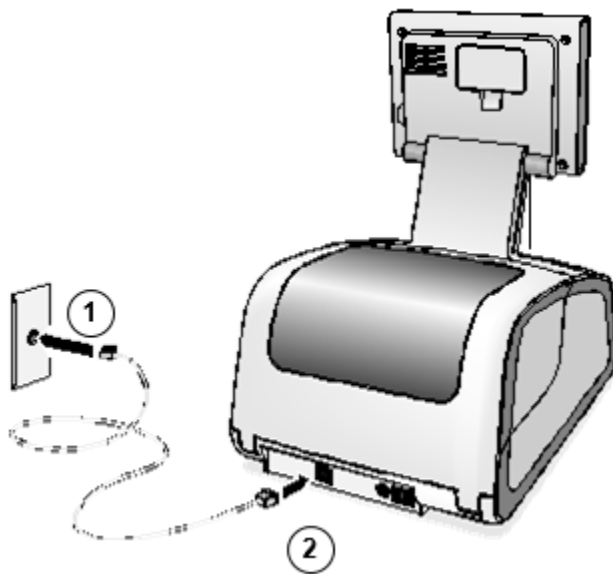


- 1. USB port for Wi-Fi adapter (bottom front right corner of the SLS)

# Hardware Setup

**CAUTION:** Only trained users should install and configure the system.

## *Ethernet Cable (Optional)*

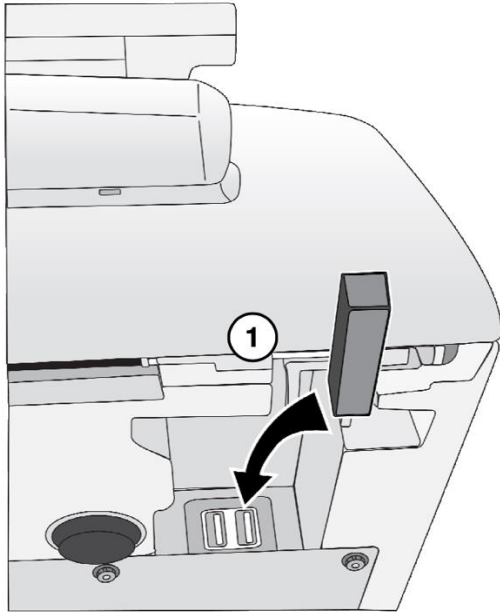


1. Connect the Ethernet cable to a hub or outlet that is connected to the network.
2. Connect the other end of the Ethernet cable to the SLS.

**NOTE:** For information about configuring SLS Ethernet network settings, refer to the SLS User's Manual v1.3.0.

**CAUTION:** The SLS supports only one network connection at a time, either Ethernet or Wi-Fi. Do not connect both an Ethernet cable and the Wi-Fi adapter at the same time.

## Wi-Fi Adapter (Optional)



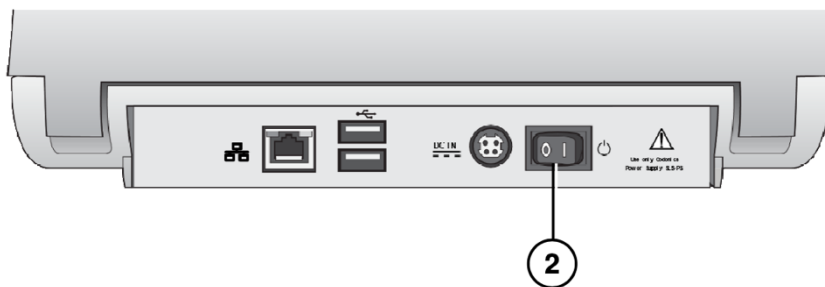
1. Insert the Wi-Fi adapter into the USB port at the bottom front right corner of the SLS.

**NOTE:** For information about configuring SLS Wi-Fi network settings, refer to the SLS User's Manual v1.3.0.

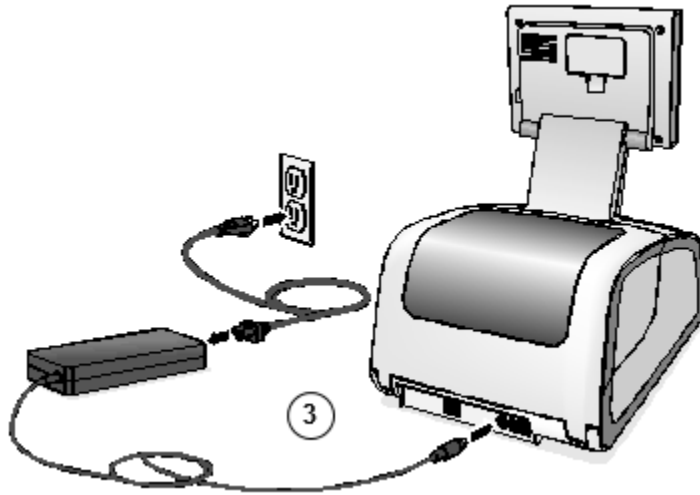
**CAUTION:** The SLS supports only one network connection at a time, either Ethernet or Wi-Fi. Do not connect both an Ethernet cable and the Wi-Fi adapter at the same time.

## Power, SmartDrive

1. Place the SLS on a solid level surface.



2. Turn the Power switch to off.



3. Connect the external power supply.



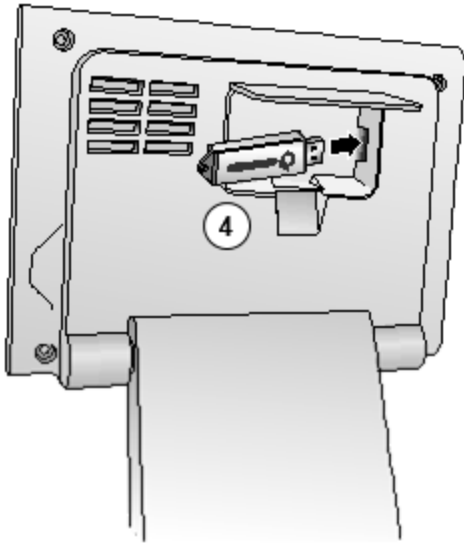
**WARNING:** The power cord connected to the SLS is the main disconnect for the system.



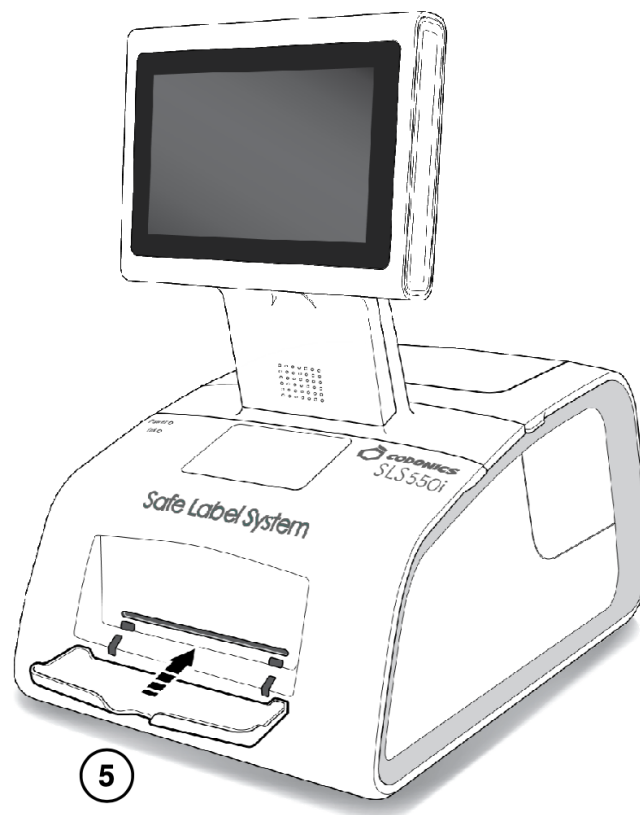
**WARNING:** Grounding reliability can be achieved only when the SLS is connected to a receptacle marked “Hospital Only” (that is, “Hospital Grade”).



**WARNING:** Do not touch a patient while also accessing SLS internal components that are under the access covers.

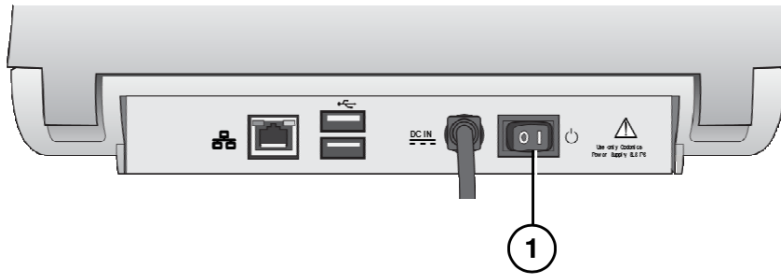


4. Insert the SmartDrive.

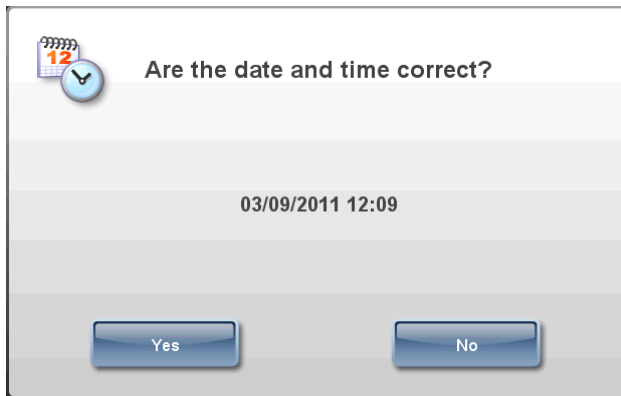


5. Insert the output bin.

## Startup

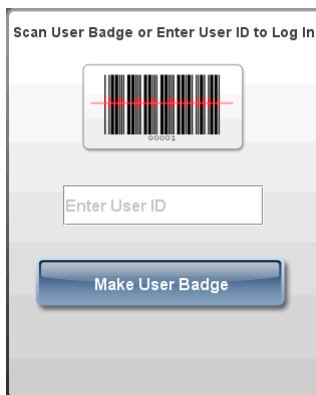


1. Turn on the Power switch.



2. Confirm or adjust the date and time.

3. The login prompt displays.



## *Loading Media*

**NOTE: Use only Codonics-supplied media.**

**To order media, contact Codonics Customer Service at:**

**Phone: +1.440.243.1198**



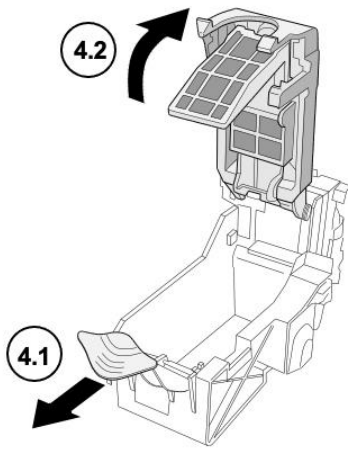
Fax: +1.440.243.1334  
Toll Free: 800.444.1198 (USA only)  
Web Site: [www.codonics.com](http://www.codonics.com)

## Installing the Ink Cartridge

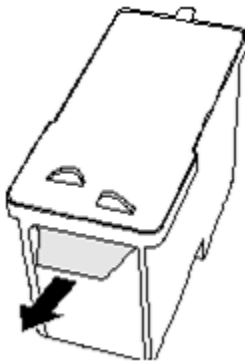
1. Open the front cover.



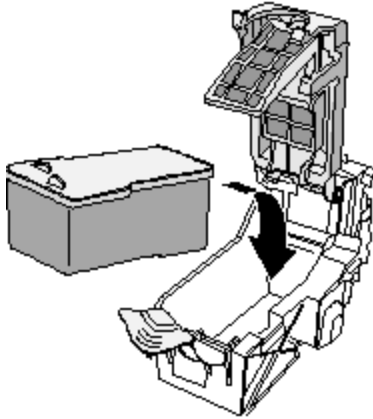
2. Press the Ink button.
3. Wait for the ink cartridge carriage to finish moving.



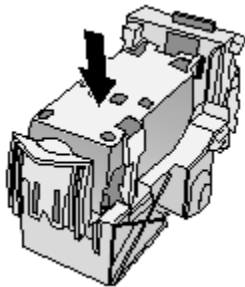
4. Open the ink cartridge carriage.



5. Remove the tape that covers the ink cartridge print head.



6. Install the ink cartridge.



7. Close the ink cartridge carriage.

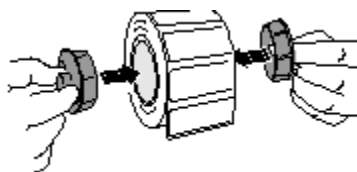


8. Press the Ink button.

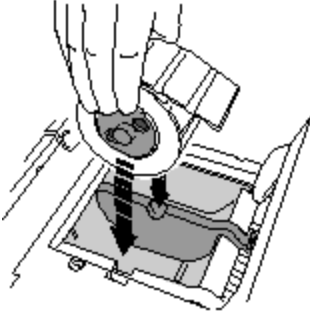
9. Close the front cover.

## *Loading Label Media*

1. **Open the rear cover.**

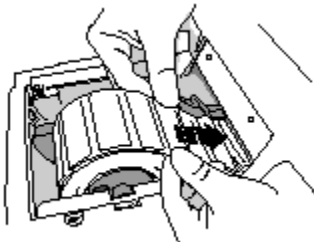


2. **Insert the label media hubs.**

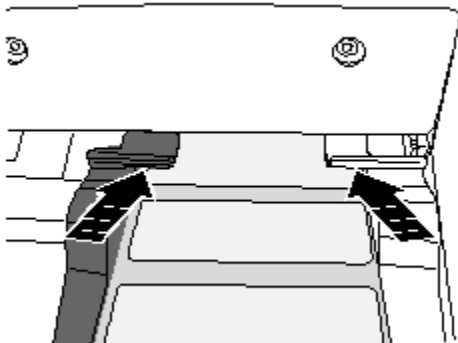


3. Place the label media and hubs in the media guides.

4. Adjust the media guides. Label media should be secure but still able to turn freely.



5. Place the label media below the media guides and into the feeder slot.



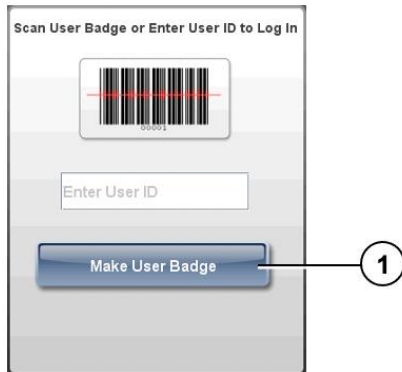
6. Feed the label media until the SLS automatically feeds it through the media path. You might need to hold the label media in place for a few seconds.

**NOTE: If the SLS fails to feed the label media, open the front cover, press the Unload button, remove the media from the media path, wait until the media path rollers stop spinning, and try loading the media again.**

7. Close the rear cover.

# Login

## Making a User Badge



1. At the Login prompt, press the Make User Badge button.



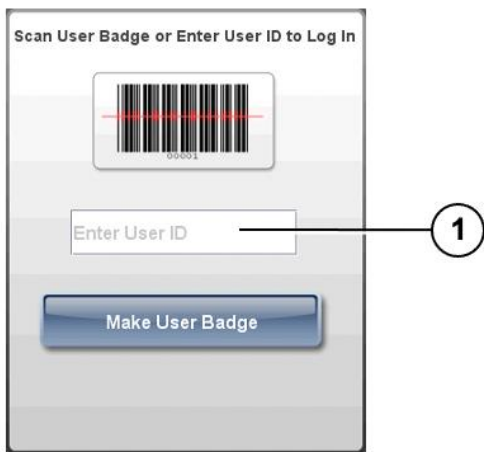
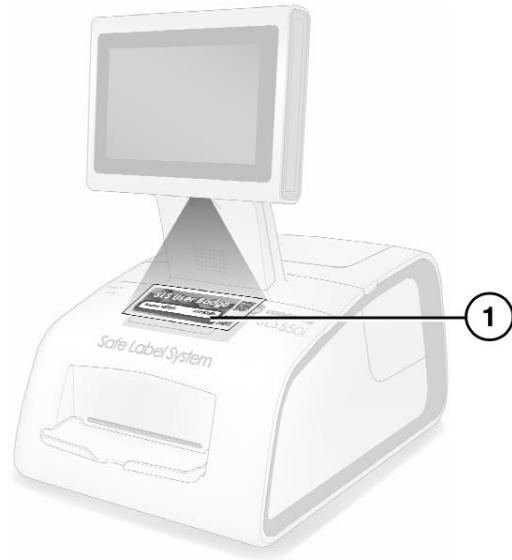
2. Enter your user information.

**NOTE: The Employee ID must be unique among the SLS users.**

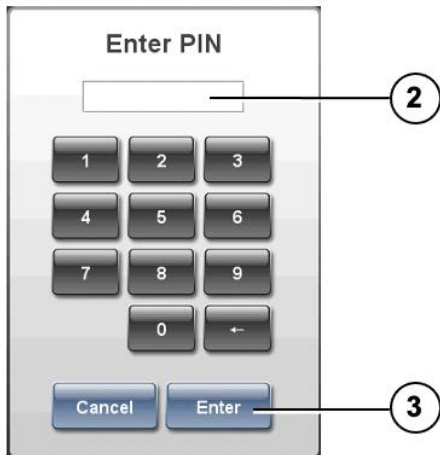
**NOTE: The PIN can be up to ten digits long. If the system is not configured to require a PIN, then you will not be prompted to enter a PIN.**

3. Press the Print button.

## Logging In



1. At the Login prompt, scan your user badge barcode or manually enter your user ID.

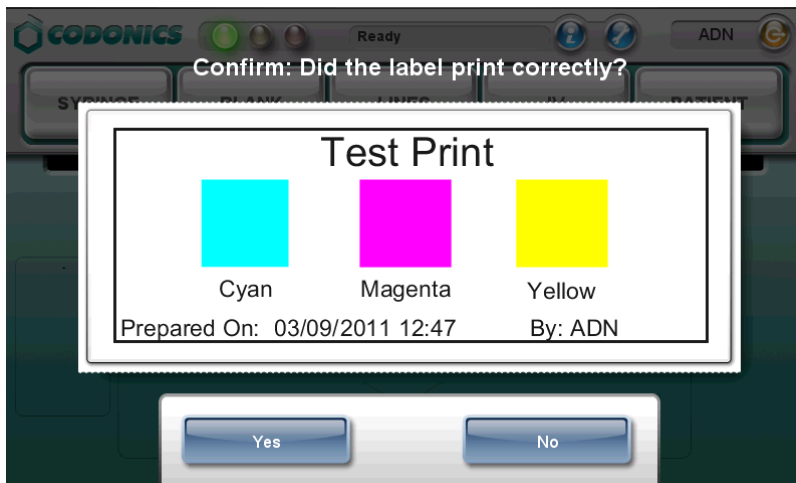


2. If the system is configured to require a PIN, enter your PIN.

**NOTE: The PIN can be up to ten digits long.**

3. Press the Enter button.

If a test label is printed, you are prompted to confirm that the test label printed correctly.

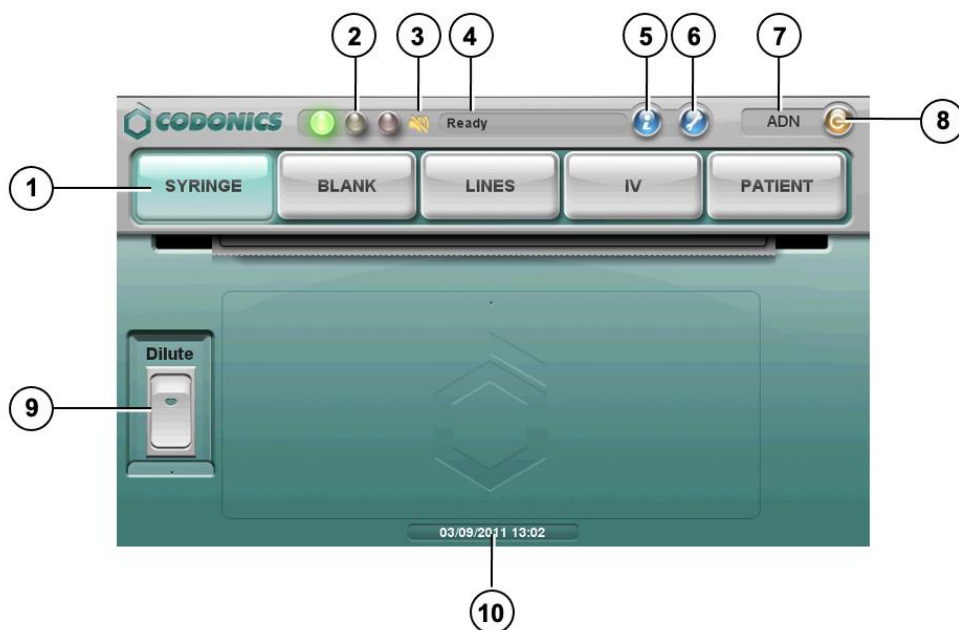


4. Inspect the test label.

5. If the test label printed correctly, press the Yes button. The system is ready for use.

If the test label did not print correctly, press the No button. Follow the on-screen instructions.

## *Touch Screen User Interface*



1. Label type buttons
2. LED status indicators
3. Volume Muted icon
4. System status message
5. System information button
6. Utilities button
7. User initials
8. Logout button
9. Dilute switch
10. Current date and time

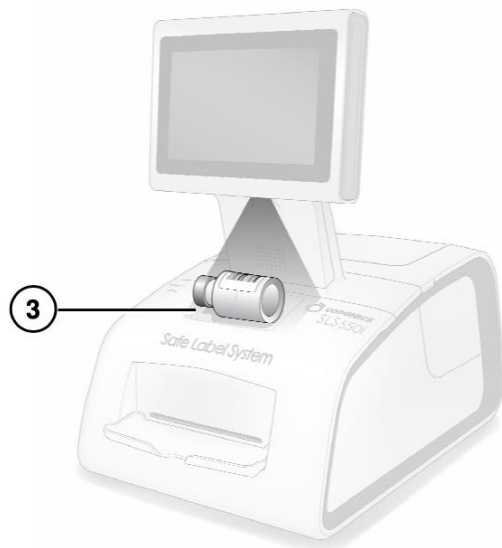
## *Printing a Syringe Label — Basic Use*

**CAUTION:** The formulary used on the SLS should be one that was created by the system administrator and approved for use.



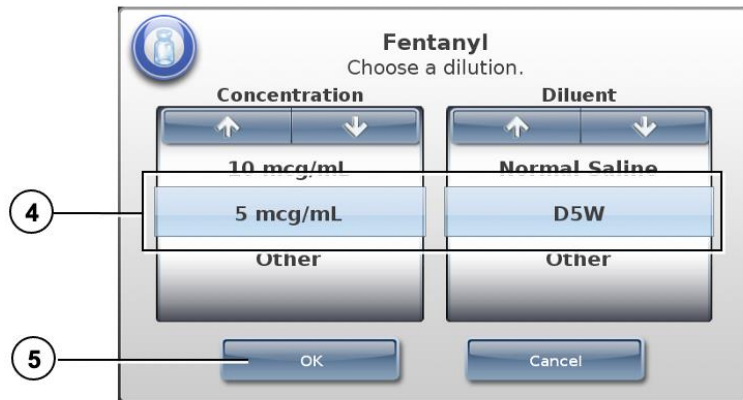
1. Press the Syringe label button.

2. To include dilution information, press the Dilute switch to turn it on.



3. Scan the drug container barcode.





4. If the Choose a Dilution prompt displays, select a concentration and diluent.

**WARNING: SLS users are responsible for calculating and selecting the correct concentration and diluent.**

5. Press the OK button.

If the system is configured to require confirmation before printing the label, a confirmation prompt displays.



**NOTE: The label confirmation prompt is displayed for safety reasons to ensure that the correct drug information is being printed.**

6. Press the Print button to confirm and print the label.

7. Retrieve the printed label from the output bin.

If the system is configured to require confirmation after printing the label, a confirmation prompt displays.



**NOTE:** The label confirmation prompt is displayed for safety reasons to ensure that the label has been printed correctly.

8. After reviewing the label and the screen display, perform one of the following steps:

- **Scan the barcode on the printed label. If the barcode is correct, the system indicates this and the procedure is complete.**
- **If you can see that the label did not print correctly, press the No button. Follow the on-screen instructions.**
- **If you are not able to scan the barcode, press the Unable to Scan button. Follow the on-screen instructions.**

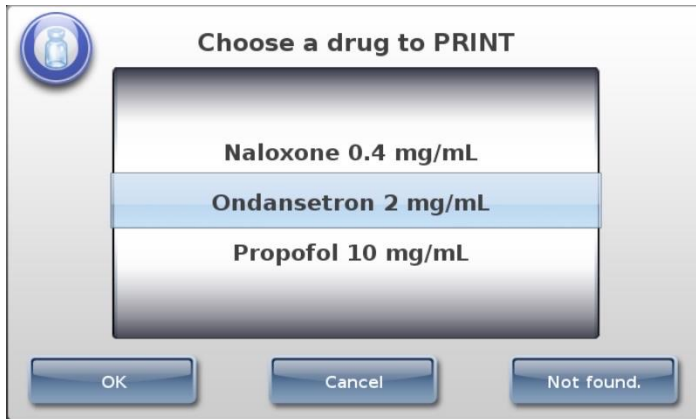
**WARNING:** To avoid mislabeling syringes, make sure that you immediately affix the correct label to the appropriate syringe.

**WARNING:** Incorrect syringe labels should be destroyed or disposed of to ensure that they are not used.

## *Printing a Syringe Label — Advanced Operations*

### *Matching Container IDs*

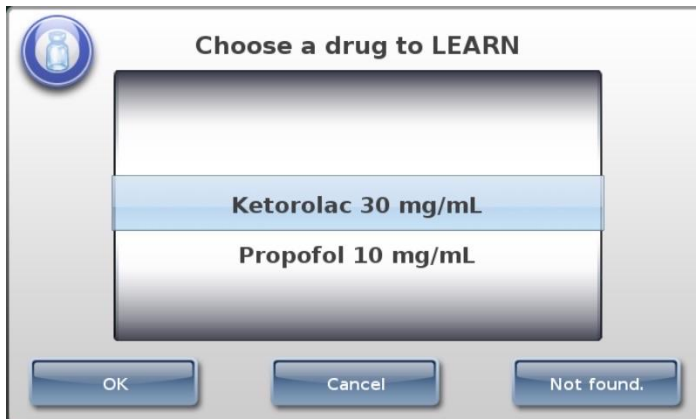
After scanning the drug container barcode, if there are multiple matching drugs with the same Container ID, they are displayed.



- If the correct drug is displayed, select it and then press the OK button.
- If the correct drug is not displayed, press the Not Found button. The procedure ends. Contact your SLS system administrator or Codonics Technical Support (+1.440.243.1198).
- To cancel the operation, press the Cancel button.

## *Mapped Master IDs (USA Only)*

After scanning the drug container barcode, if the Container ID that was scanned can be mapped to more than one Master ID, those drugs are displayed.

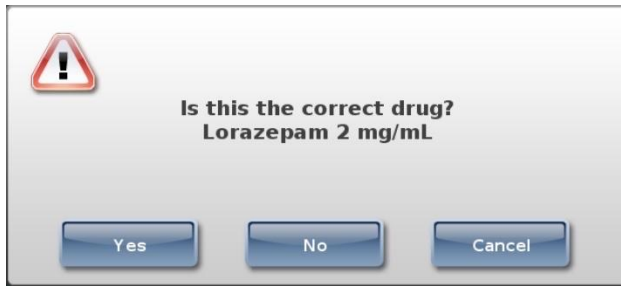


- If the correct drug is displayed, select it and then press the OK button.
- If the correct drug is not found, press the Not Found button. The procedure ends. Contact your SLS system administrator or Codonics Technical Support (+1.440.243.1198).
- To cancel the operation, press the Cancel button.

## *Drug Verification*

If the drug has not been previously verified to ensure that the drug container information is the same as the drug information in the formulary, a verification prompt displays.

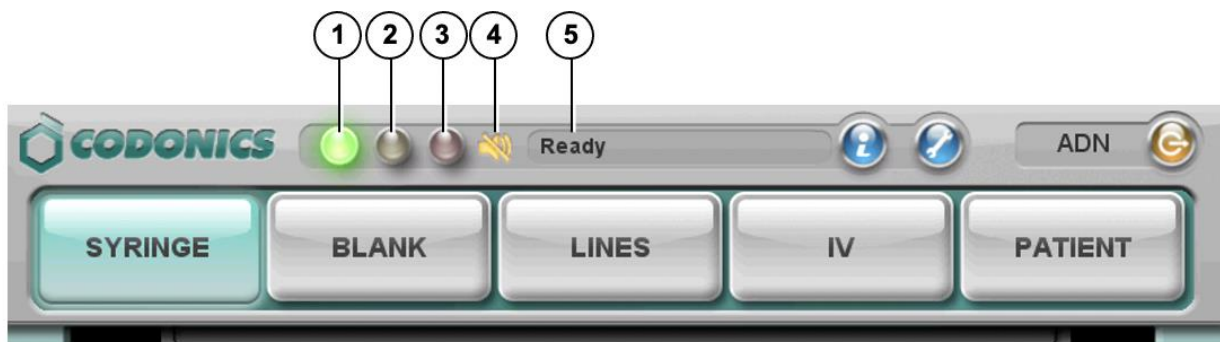
**NOTE:** The verification prompt only occurs once for each drug, when its container barcode is scanned for the first time.



- If the drug information is correct, press the Yes button. You are prompted again to confirm that the drug information is correct.
- If the drug information is not correct, press the No button. You are prompted again to confirm that the drug information is incorrect.
- To cancel the operation, press the Cancel button.

## Monitoring Status

### *Dashboard Status Information*



1. **Normal:** The system is ready to process or is processing a job (for example, printing).
2. **Alert condition:** The system can still process jobs but requires user attention (for example, low ink).
3. **Critical or fault condition:** The system might not be able to process jobs. The system requires immediate user attention (for example, out of label media).
4. **Muted icon:** Displays when the volume is muted.
5. **Status messages.**

### *System Information*



1. Press the System Information icon.



2. Press the tabs to view additional information.

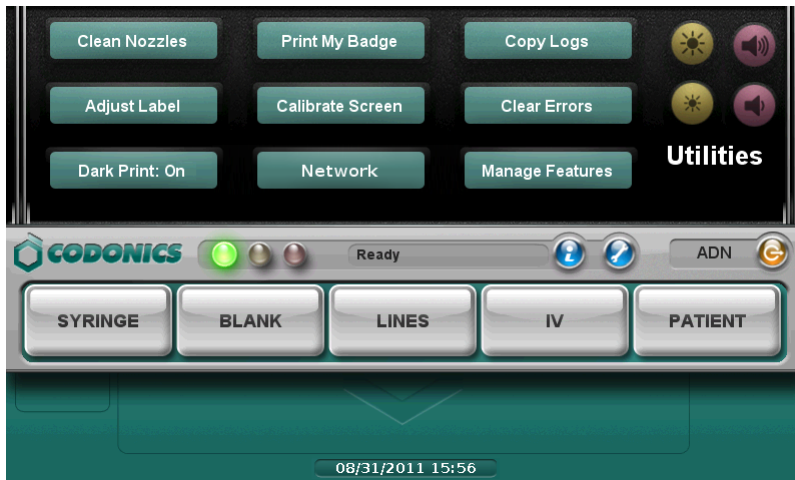
# Maintenance

## *Displaying the Utilities Screen*



1. Press the Utilities button.

The Utilities screen displays. The buttons are described in the table below.



2. To close the Utilities screen, press the Utilities button again.

#### Clean Nozzles

Cleans the ink cartridge nozzles

#### Adjust Label

Allows you to adjust the label media path to ensure that label content is properly centered on the label.

#### Dark Print: Off / On

Sets dark printing of black text to off or on.

#### Print My Badge

Prints a user badge for the user who is currently logged in.

#### Calibrate Screen

Calibrates the touch screen.

#### Network

Allows you to configure the network settings.

#### Copy Logs

Copies system logs to a USB flash drive that is inserted in the touch screen USB port 1.

#### Clear Errors

Clears system errors. This setting should only be used by system administrators after the errors are carefully reviewed.

## Manage Features

Allows you to add SLS features.



Adjusts the touch screen brightness.



Adjusts the audio volume.

## Clearing a Label Jam

1. Remove your gloves.
2. Open the front and rear covers.
3. Identify the location of the jammed media and use the appropriate procedure below.

### Clearing a Label Jam in the Front Media Guide

1. Gently remove the label media from under the front guide by pulling up the label media near the ink carriage.

**CAUTION: Avoid peeling up a label in the media path. You might have to pull the media forward through the cutter to avoid peeling a label. If a label is peeled up in the media path, do not press the adhesive side of the label against the sheet metal guides.**

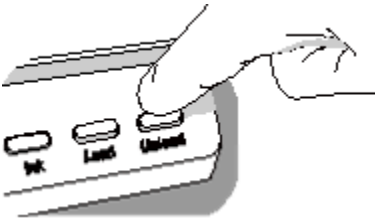
2. Use scissors to cut the liner between two labels by the ink carriage to allow you to remove the jammed label media.



If required, press the Load button to advance the label media.

**NOTE: Scissors are recommended for cutting the liner so that the label media will have a straight edge. The straight edge will make loading the label media easier.**

3. Gently remove the jammed portion of the label media.
4. Review the strip of labels. Make sure that you can account for all of the labels and that no labels are stuck in the front media guide. Discard the damaged label media.
5. If portions of the label media are still jammed in the media path, power off the system (refer to “Shutdown and Power Off”). Use non-metallic tweezers and carefully remove any additional label media from the media path.



6. Press the Unload button to reverse any portion of the label media that is still in the media path.
7. Inspect the label media. Use scissors to cut off any damaged labels.
8. Close the front cover, load the label media, and close the rear cover.

#### Clearing a Label Jam in the Rear Media Guide

1. Identify the location of the jammed media under the rear media guide.

The rear media path can be exposed by using the thumb screws to remove the rear media guide cover.

2. Use scissors to cut the liner between two labels by the ink carriage. This will reduce the number of labels being pulled back through the media path.
3. Gently remove the cut portion of the label media from the front media guide and discard it.
4. Use scissors to cut the liner between the jammed portion of the label media and the label media roll.

**NOTE: Scissors are recommended for cutting the liner so that the label media will have a straight edge. The straight edge will make loading the label media easier.**

5. Gently remove the jammed portion of the label media.

**CAUTION: Avoid peeling up a label in the media path. If a label is peeled up in the media path, do not press the adhesive side of the label against the sheet metal guides.**

6. Review the strip of labels. Make sure that you can account for all of the labels and that no labels are stuck in the rear media guide. Discard the damaged label media.



7. If portions of the label media are still jammed in the media path, power off the system (refer to “Shutdown and Power Off”). Use non-metallic tweezers and carefully remove any additional label media from the media path.



8. Press the Unload button to reverse any portion of the label media that is still in the media path.
9. Inspect the label media. Use scissors to cut off any damaged labels.
10. Close the front cover, load the label media, and close the rear cover.

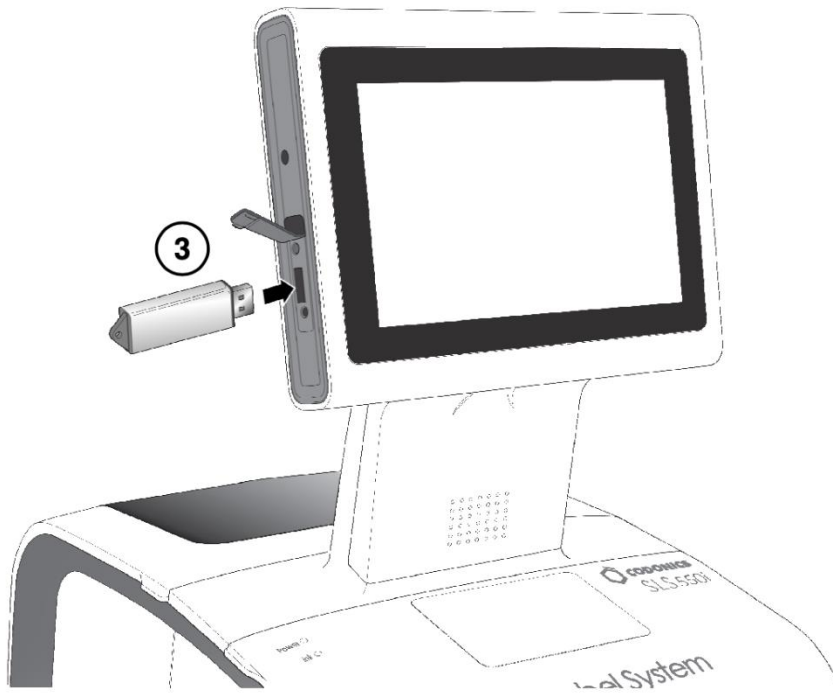
## *Installing Update Packages*

**Use this procedure to manually install formulary update packages and configuration update packages.**

**NOTE:** Formulary and configuration update packages can also be installed remotely using the Administration Tool. For more information, refer to the *SLS Administration Tool User's Manual v1.3.0*.

**CAUTION:** Installing system software should only be performed as directed by Codonics Technical Support. Do not attempt to install system software without the assistance of Codonics Technical Support.

1. Log in.
2. Make sure that the SLS is not processing any print jobs or utilities.



3. Insert the USB flash drive on which the update package or software is installed.

You are prompted to confirm the installation.

4. Press the Yes button to continue.

5. When the installation files have been copied, remove the USB flash drive.

When the installation is complete, the system restarts automatically.

**CAUTION: The SLS customer is responsible for ensuring that the correct formulary and configuration packages are being installed on the SLS.**

**CAUTION: Practice standard information technology (IT) precautions to protect data associated with the formulary (for example, securing the content of the USB flash drive on which the formulary update package is stored).**

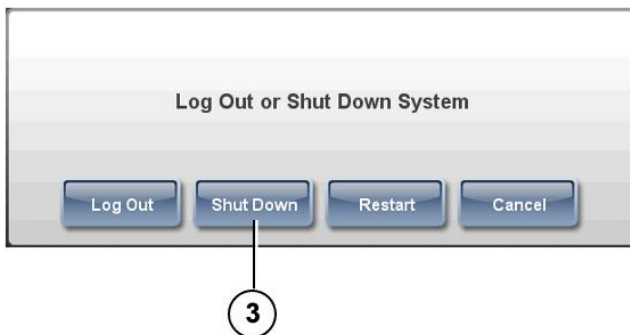
**CAUTION: The SLS customer is responsible for the accuracy of the data in the formulary, including drug data that has been copied from third-party drug databases.**

# Shutdown and Power Off

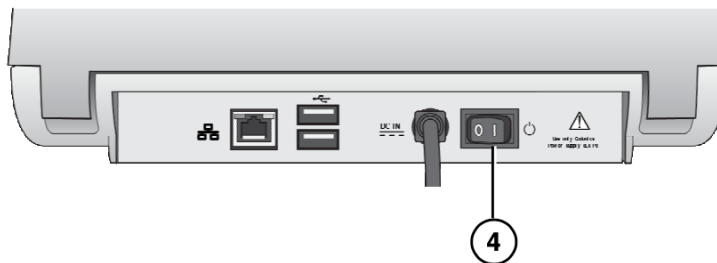
1. Make sure all print jobs have completed.



2. Press the Log Out button.



3. Press the Shut Down button.



4. When shutdown is complete, turn off the Power switch.

## Troubleshooting

**Problem: Startup fails.**

- Check the external power supply and cables.
- Check the power switch on the rear panel.
- Verify that the SmartDrive is connected.

**Problem: System will not power on.**

- Replace the external power supply.

**Problem: Login fails.**

- Verify the user name.
- Verify the PIN.
- Verify that the user badge is correct and that its barcode quality is satisfactory.

**Problem: The touch screen does not respond properly when touched.**

- Run the Calibrate Screen utility.

**Problem: The formulary fails to load or is invalid.**

- A new formulary update package might have to be created and loaded. See your SLS system administrator.

**Problem: A drug container failed verification.**

- The drug might have to be added to or corrected in the formulary.
- Make sure that the barcode on the drug is of good quality.
- **CAUTION: This is a serious issue. Notify your SLS system administrator.**

**Problem: A test label or syringe label did not print correctly.**

- Discard the label and try again.
- If the label print quality is bad: Run the Clean Nozzles utility, Replace the ink cartridge, and Replace the label media.
- If the print is not aligned properly on the label, run the Adjust Label utility.
- If the wrong drug information is printed on the label, the drug might have to be corrected in the formulary. See your SLS system administrator.
- **CAUTION: This is a serious issue. Notify your SLS system administrator.**

**Problem: The barcode scanner is not scanning.**

- Make sure the barcode is correctly positioned. The red cross-hair should line up with the barcode and the container or syringe should be as close to the front cover as possible.
- Shutdown the system from the touch screen and then cycle power to the system.
- Make sure the quality of the barcode is good.
- Clean the scanner's glass window.
- The barcode symbology might not be supported. Contact Codonics Technical Support (+1 440.243.1198)

**Problem: The label media is jammed.**

- Clear the label jam. Refer to "Clearing a Label Jam".

**Problem: The SLS will not connect to the network.**

- Verify that the Ethernet cable or Wi-Fi adapter is connected.
- Verify that the SLS network settings are configured properly.

**NOTE: For additional troubleshooting issues, refer to the Safe Label System User's Manual.**

# Safe Label System® Drug Labeling Solution

## *ET - eesti*

### **Dokumentatsioon Märkus**

See dokument on osa kohta EL MDR nõuded. The Kodoonika Ohutu Silt Süsteem® Toode on a I klassi meditsiiniseadmed, mis on ette nähtud kasutamiseks tervishoiutöötajatele. Toote pakendamist ja märgistamist, sealhulgas graafilist kasutajaliidest (GUI) kasutamiseks pakutakse inglise keeles ja see vastab MDR I lisa III peatüki punktile 23.4, võttes arvesse potentsiaalse kasutaja koolitust ja teadmisi.

võrk teave, Võti Spetsifikatsioonid, Mõeldud Kasutage, Kasutaja Käsitsi Lisad, Kiire Alusta Giid ja Seadistamine KUI SA (Juhised jaoks kasutamine) on saadaval aastal põhiline tõlge jaoks Liige Osariik Keeled. Esmane KUI SA on saadaval aastal Inglise.

Codonics Tooted on Klass Mina tooted mõeldud jaoks kasutamine kõrval Tervishoid Spetsialistid. Tooted pakend ja märgistamine, kaasa arvatud Graafiline Kasutaja Liides (GUI) jaoks operatsiooni on Pakutakse aastal Inglise ja kokku saama MDR, Lisa Mina, Peatükk III, 23.4, võtmine konto koolitus ja teadmised kohta potentsiaal kasutaja.

\*Võrk teave, Võti Spetsifikatsioonid, Mõeldud Kasutage, Kasutaja käsiraamat Liide, Kiire Alusta Giid & Seadistamine KUI SA on saadaval aastal lihtne tõlge Liige Osariik Keeled; esmane KUI SA on saadaval aastal Inglise

### **Ülevaade:**

Kodoonika Ohutu Silt Süsteem SLS 550i hoolduspunkt (PCS) on maailma juhtivate haiglate ravistandard. Uuhinnatud FDA II klassi meditsiiniseade parandab süsteem ravimite haldamise ohutust ja täpsust ning märgistab vastavust kõikjal, kus ravimeid valmistatakse. OR-is integreerub SLS a-ganesteesia ravimikärud käes oleva ravimi elektrooniliseks tuvastamiseks. Visuaalne ja kuuldav kinnitus, mis põhineb viaali / ampulli NDC-l, annab arstidele reaalsaja ohutuskontrolli, mis toimib teise silmakomplektina, aidates kõrvaldada kõige levinumad ravimivead. Soovi korral toodab SLS rakendamiseks valmis TJC-ga ühilduva sildi, mis sisaldab võõtkoodi, mis haarab NDC parenteraalsest viaalidest integreerimiseks Epicu ja Cerneriga manustamisel. Kui seda kasutatakse koos Codonics SLS-WAVE, seda protsess elektrooniliselt dokumendid kannatlik plaad Käed-vabad kuni parandada tasuta jäädvustama, arveldamine täpsus ja 340B vastavus loomine standardimine ja võimaldades BCMA aastal VÕI.

### **Safe Label System:**

Integreerub koos olemasolev töövood, lisades TJC vastavus ja apteek järelevalve kell iga asukoht kus nõudlusel ravimid on valmis, sellised as VÕI ICU, PACU, kannatlik korrused ja apteek

Annab kliinikud koos elektrooniline ravimid ohutus kontrollid samas suureneb tootlikkus

Lubab haiglas heaks kiidetud narkootikumid, lahjendid, kontsentratsioonid, ja kokku annus / koguarv helitugevus preparaadid kuni olema integreeritud koos kogu maailmas tunnustatud parim tavadis ja rahvusvaheline standarditele aastal a sõnavara hallatud kõrval apteek ja saadaval kell näpuotsad kohta kedagi ettevalmistamine ravimid

Pildistab täpne NDC kohta parenteraalselt vial ja kannab seda kuni ette valmistatud silt kuni pakkuma 100% täpne dokumentatsioon jaoks tasuta jäädvustama ja 340B vastutus

Saab olema hallatud eemalt kaasa arvatud tarkvara värskendused ja annab staatuse tagasiside kuni täpsustatud kasutajatele kaudu Haldus Tööriist ja E-post Teataja (valikuline)

Millal kasutatud aastal koos SLS-WAVE, täielik lahendus võimaldab Käed-vabad integratsioon koos Eepiline ja Cerner kuni maksimeerida tulu, parandada kannatlik tulemused ja arst töövoog kõrval vähendades käsiraamat klikke

### **Parandada Patsient Ohutus**

Vead aastal ettevalmistamine ja valik as hästi as dokumentatsioon ebatäpsused tekkida jaoks a number kohta põhjustel. Mitmekordne segajad, vaene käekiri ja sarnane / heli sarnaselt narkootikume suuresti panustama kuni potentsiaal jaoks ravimid vigu. SLS embab helistama kuni parandada kannatlik ja ravimid ohutus kõrval:

Vähendab kõige rohkem tavaline ravim vigu tehtud ajal valik, ettevalmistamine ja haldamine kohta süstitav ja intravenoosne ravimid aastal VÕI kaasa arvatud vial / ampull vahetused, valesildis / loetamatu märgistamine, süstal vahetused ja aegunud süstlad

Vastab ISMP ja APFS soovitusel seda iga tuumastav asukoht peaks omama a mehhanism kuni tuvastama ravimid enne joonistamine neid üles või manustamine neid (võõtkood lugeja)

Automaatselt kingitused kliinikud koos visuaalne ja kuuldav kinnitused kohta iga ravim ja kontsentratsioon, kaasates elektrooniline ohutus kontrollid kuni eemalda element kohta inimlik viga

### **Spetsifikatsioonid**

Süsteem: Integreeritud puudutada ekraan arvuti, 2D võõtkood skanner, värv tint joa printer, heli tagasiside ja võrku võimeline (Ethernet standard, WiFi valikuline)

Võimsus: Universaalne Sisend: 100–240 VAC, 50/60 Hz

Mõõtmed: 10.43 " (26.5 cm) W, 15,67 " (39.8 cm) D, 16.50 " (41.9 cm) H

Kaal: 14.5 naela. (6,6 kg)

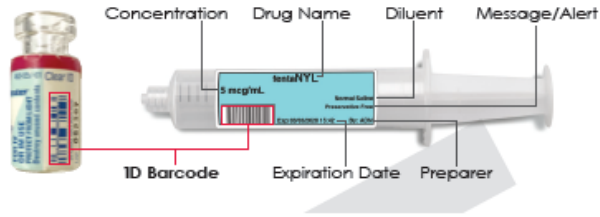
Regulatiivne: Tõis meditsiiniline seade vastavus kaasa arvatud Klass 2 FDA ja Klass Mina MDR 2017/745 / EL (CE), GMP / QSR, ISO 13485: 2016, Elektriline Ohutus IEC 60601-1 Ed. 3.1 ja EMC / EMI: FCC Klass A ja IEC 60601-1-2: Ed. 4 jaoks Professionaalne Tervishoid Teenused

Loetav Võõtkoodid: Kood 128, GS1-128, Andmed Maatriks, UPC-A, UPC-E, EAN-13, EAN-8, GS1 Andmeriba Perefond, Põimitud 2 kohta 5, ITF-14, Kood 39, Kood 32, ISBT 128, QR Kood

Kirjutatav Võõtkoodid: Andmed Maatriks, EAN-13 / UPC-A

## Exact NDC matching vial to syringe

Captures NDC of parenteral vial, providing 100% accurate documentation for charge capture and the exact NDC for 340B accountability



Prints full-color labels that comply with The Joint Commission NPSG.03.04.01\* and meet the intent of ISO 26825, ASTM 4774 Standards & ASA Guidelines

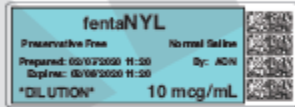
\*Prints diluent and dilution if required



Shown with patient information when integrated with EMR/ADC



Shown with auxiliary barcode



60 mm x 22 mm standard size labels



Barcode for EHR/AIMS integration

# *SLS Kasutaja Käsi*

## *Eessõna*

### *Konventsioonid Kasutatud aastal See Käsi*

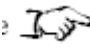
#### *Täppidega Loendid*

Kuulid on kasutatud kuni kuva a nimekirja kohta mitteprotseduuriline esemed. Sest näide:  
The järgnev sündmused päästik a sünkroniseerimine kohta SLS andmed kuni seda ladustatud peal

SmartDrive:

- Automaatselt iga 15 minutit
- Formaalne värskendused

#### *Nummerdatud Sammud*

The  ikooni näitab alguses kohta a protseduur. The sammud aastal a protseduur on nummerdatud. Sest näide:

- Avatud ees kate.
- Vajutage Tint nuppu.

#### Märkused

Märkused sisaldama lisaks teavet seotud kuni a teema või protseduur. Sest näide:

MÄRGE: The süsteemi tahe kindlustama seda a test printida on esitatakse kell vähemalt üks kord a päeval.

#### Hoiatused ja Hoiatused

Hoiatused hoiatus sina kuni tegevused või olukordades seda võiks põhjust kahju kuni seadmed või andmed.

Sest näide:

Hoiatused hoiatus sina kuni tegevused või olukordades seda võiks tulemus aastal isiklik vigastus. Sest näide:

#### Tähtis Teave ja Failinimed

Julge tüüp on kasutatud jaoks rõhuasetus, kasutaja liides objekt nimed, ja radu või failinimed.

Sest näide:



The Vöotkood Skanner skaneerib ravim konteiner vöotkoodid jaoks identiteet ja kontrollimine.

Kasutage juhtelemendid kuni õige kuupäev ja aeg, siis vajutage Okei nuppu.

## *Eesmärk ja Reguleerimisala*

Viita kuni seda Kasutaja oma Käsitsi jaoks protseduurid peal kuidas kuni esinema Safe Label System (SLS)

kasutaja toimingud, kaasa arvatud:

Seadistamine üles riistvara ja tarkvara

Esinemine põhiline funktsioone sellised as metsaraie aastal ja välja, ja seadistamine mõned

System seaded (eest näide, heli maht, heledus)

Trükkimine ja kinnitades süstal sildid

Kontrollimine ravim süstlad kõrval skaneerimine nende vöotkoodid

Säilitamine süsteemi

Järelevalve süsteemi staatus ja tõrkeotsing tavaline probleeme

## *Toode Teave*

Sest tehniline abi koos SLS Punkt kohta Hooldus Jaam, helistama Codonics Tehniline

Toetus kell järgnev number:

**Telefon: +1 440.243.1198**

**Maks Tasuta: 800.444.1198 (USA ainult)**

Tehniline Toetus on saadaval 24/7/365. Tehniline Toetus on ka saadaval võrgus kaudu

e-post ja Codonics võrk sait:

**E-post: support@codonics.com**

**võrk Saidid: www.codonics.com**

Kindral toote teavet saab ka olema taotletud kõrval saatmine e-post kuni:

**E-post: info@codonics.com**

Palun hõlmama sinu posti postitamine aadress ja telefon number aastal e-post sõnum.

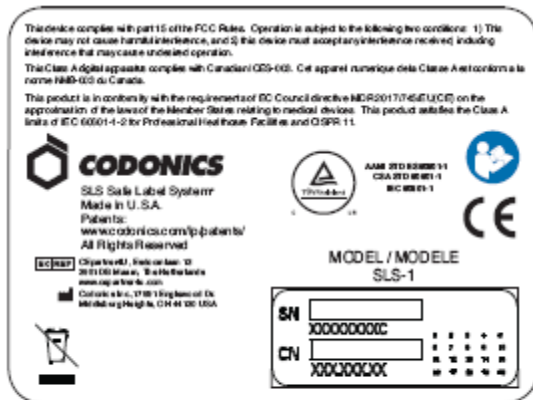
Põhiline toote teavet on tagasi kaudu e-post kui ei muidu taotletud.

## *Hoiatused ja Piirangud kohta Kasutage*

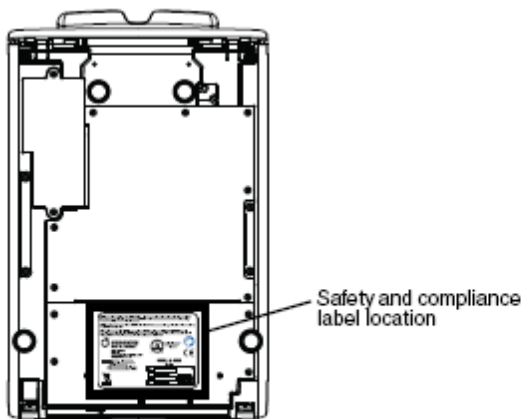
### *Asukoht kohta Ohutus ja Vastavus Sildid*

Codonics on aastal vastavus koos erinevad määrused.

The SLS PCS ohutus ja vastavus silt, näidatud allpool, on asub peal alt kohta seade (näidatud peal järgnev lk).



**SLS PCS safety and compliance label**



**SLS PCS safety and compliance label, on bottom of device**

### *Pinge Hoiatus*

The hüüatus punkt jooksul a kolmnurk on mõeldud kuni hoiatus kasutaja kuni kohalolek kohta oluline tegutsevad ja hooldus (teenindus) juhiseid aastal kirjandus kaasnev seda seade.



**VIITA TEENINDAMINE TO Kvalifitseeritud TEENUS TÖÖTAJAD. EEMALDUS OF SILDID,**  
**Kaaned, VÕI KIHUTAMINE KINNITUSED MAI KEHTIVUS THE GARANTII.**  
**SEE SEADMED PEAB BE ELEKTRILISELT MAANDATUD.**  
**TO ENNETADA TULI VÕI ŠOKK OHT TEE MITTE KOKKUPUUDE SEE SEADME TO SADA VÕI NIISKUS.**

## SEADMED ON MITTE TO BE KASUTATUD AS A KOMPONENT OF A ELU TOETUS SÜSTEEM.

Elu toetus seadmeid või süsteemid on seadmeid või süsteemid seda toetus või säilitada elu, ja kelle oma läbikukkumine kuni esinema saab olema mõistlikult oodata kuni tulemus aastal a märkimisväärne vigastus või surm kuni a isik. A kriitiline komponent on mis tahes komponent kohta a elu toetus seade või süsteemi kelle oma läbikukkumine kuni esinema saab olema mõistlikult oodata kuni põhjust läbikukkumine kohta elu toetus seade või süsteem, või kuni mõjutama selle ohutus või tõhusust.

### *Laser Hoiatus*

HOIATUS See seade kiirgab CDRH / IEC Klass 2 laser ja IEC Klass 1M valgus. Tehke mitte VAHTIMA sisse tala.

### *Järjestikune Arv, Seadistamine, Kuupäev Kood, ja Muutmise Koodid*

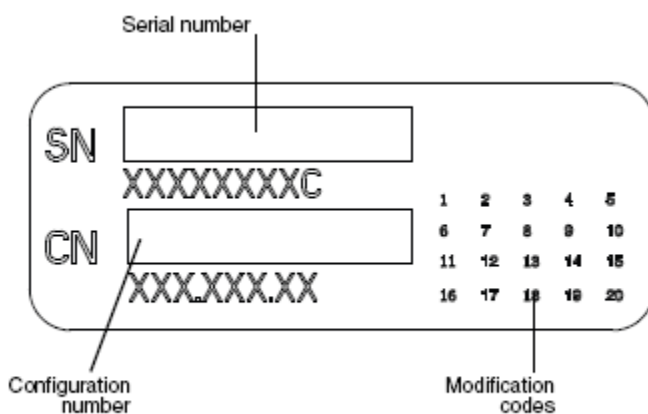
The jada number silt on paigutatud peale ohutus ja vastavus silt.

The jada number silt sisaldab järgnev teave:

The jada number (SN), mis ainulaadselt tuvastab üksus.

The seadistamine number (CN), mis üksikasjad ehitama seadistamine.

The muudatused koodid, mis on kuni eks kohta CN number ja on a seeria kohta 20 numbrid. Millal mis tahes kohta need numbrid on blokeeritud välja, seda ihambaid a muutmise seda oli tehtud kuni üksus.



*Serial number label*

### *Potentsiaal jaoks Raadio Sagedus Sekkumine peal Seade Operatsioon*

Mõlemad kaasaskantav ja mobiilne RF side seadmed saab mõjutama meditsiiniline elektriline seadmed, kaasa arvatud SLS PCS. SLS PCS on mõeldud jaoks kasutamine aastal elektromagnetiline keskkond täpsustatud aastal juhendamine ja tootja oma deklaratsioon jaotises.

## Potentsiaal jaoks Raadio ja Televisioon Sekkumine

SLS PCS genereerib ja kasutab raadio sagedus energia, ja kui mitte installitud ja kasutatud korralikult, seda on, aastal range kooskõlas koos tootja oma juhised, mai põhjust sekkumine kuni raadio ja televiisor vastuvõtt. See on olnud tüüp testitud ja leitud kuni täitma koos Klass A heide piirid jaoks a arvutamine seade aastal kooskõlas koos spetsifikatsioonid aastal Alajagu J kohta Osa 15 kohta FCC Reeglid, mis on disainitud kuni pakkuma mõistlik kaitse vastu sellised sekkumine millal tegutsevad aastal a kaubanduslikud keskkond. SLS PCS on mitte mõeldud jaoks kasutamine aastal a elamu Klass A keskkond. SLS PCS vajab a meditsiiniline võimsus / maa. Kui sinu SLS teeb põhjust sekkumine kuni raadio või televiisor vastuvõtt, sina on julgustatud kuni proovige kuni õige sekkumine kõrval üks või rohkem kohta järgnev meetmed:

Suuna ümber vastuvõtmine antenn

Kolige ümber SLS PCS koos austust kuni vastuvõtja

Kui vajalik, sina peaks konsulteerima Codonics Tehniline Toetus või an kogunud raadio / televiisor tehnik jaoks lisaks ettepanekud. Sina mai leidma järgnev voldik ette valmistatud kõrval Föderaalne Side Komisjon kasulik: *Kuidas kuni Tuvastage ja Lahenda Raadio-TV Sekkumine Probleemid*. See voldik on saadaval alates USA Valitsus Trükkimine Kontor, Washington, D.C. 20402, Laos Ei 004-000-00345-4.

See toote on aastal vastavus koos kaitse nõuded kohta EÜ Nõukogu direktiiv MDR 2017/745 / EL (CE) meditsiiniseadmeid käsitlevate liikmesriikide õigusaktide ühtlustamise kohta. See toode vastab IEC 60601-1-2 kutseliste tervishoiuasutuste ja CISPR 11 klassi A piirnormidele. Direktiivi nõuetele vastavusdeklaratsiooni on alla kirjutanud Codonics vastupidi president.

## *Juhendamine Seoses Elektromagnetiline Heide ja Immuunsus*

Sobib keskkondades on as järgmiselt:

SLS550i on mõeldud jaoks kasutamine aastal haigla ja kliiniline keskkondades kaasa arvatud tegutsevad

toad ja perioperatiivne keskkond.

SLS550i on mitte olnud hinnatud jaoks kasutamine lähedal HF kirurgiline seadmed. Kui kasutamine lähedal HF

kirurgiline seadmed on soovitud, kasutaja on vastutav jaoks kontrollimine korralik operatsiooni

kohta SLS550i. Kui SLS550i teeb mitte esinema õigesti aastal seda keskkond, liikuma SLS550i kaugemale alates allikas kohta elektromagnetiline häirimine.

SLS550i on mitte olnud hinnatud jaoks kasutamine aastal hädaolukorras meditsiiniline sõidukid või aastal elamu arakendused.

**MÄRKUS.** Selle seadme raadiosageduslike kiirusomaduste tõttu on see sobiv kasutamiseks tööstuspiirkondades ja haiglates (CISPR 11 klass A). Kui seda seadet kasutatakse elamukeskkonnas (mille jaoks tavaliselt nõutakse CISPR 11 klassi B), ei pruugi see seade pakkuda raadiosagedusteestele piisavat kaitset. Kasutajal võib tekkida vajadus võtta leevendusmeetmeid, näiteks seadmete ümberpaigutamine või ümbersuunamine.

As a toetus seade, SLS550i teeb mitte pakkuma hädavajalik jõudlus.

**HOIATUS** Kasutage kohta seda seadmed külgnev kuni või laotud koos muud seadmed peaks olema vältida sest seda võiks tulemus aastal sobimatu operatsiooni. Kui sellised kasutamine on vajalik, seda seadmed ja muud seadmed peaks olema täheldatud kuni kontrollima seda nad on tegutsevad tavaliselt.

**HOIATUS** Kasutage kohta tarvikud, andurid ja kaablid muud kui need täpsustatud või tingimusel kõrval tootja kohta seda seadmed võiks tulemus aastal suurenenud elektromagnetiline heitkogused või vähenenud elektromagnetiline puutumatus kohta seda seadmed ja tulemus aastal sobimatu operatsiooni.

**HOIATUS** Kaasaskantav RF side seadmed (kaasa arvatud välisseadmed sellised as antenn kaablid ja väline antennid) peaks olema kasutatud ei lähemale kui 30 cm (12 tolli) kuni mis tahes osa kohta SLS550i, selle kaablid, või tarvikud. Vastasel juhul degradeerumine kohta jõudlus kohta seda seadmed võiks tulemus.

*Elektromagnetiline Heide Standardid ja Test Tase*

Test/Standard	Compliance
RF Emissions CISPR 11	Group 1. Class A
RF Emissions FCC Part 15	Class A
Conducted Emissions CISPR 11	Group 1. Class A
Harmonic Distortion IEC 61000-3-2	Class A
Voltage Fluctuations and Flicker IEC 61000-3-3	Complies

### *Elektromagnetiline Immuunsus Standardid ja Test Tasemed*

Test/Standard	Compliance
Electrostatic Discharge IEC 61000-4-2	+/-8 kV contact +/-2 kV, +/-4 kV, +/-8 kV, +/-15 kV air
Radiated RF Immunity IEC 61000-4-3	3 V/m 80 MHz – 2.7 GHz 80% AM at 1 kHz
Proximity fields from RF wireless equipment IEC 61000-4-3	Complies

Test/Standard	Compliance
Electrical Fast Transient/Burst IEC 61000-4-4	AC Port: ± 2 kV, 100 kHz repetition frequency SIP/SOP Ports: ± 1 kV, 100 kHz repetition frequency
Surge IEC 61000-4-5	Line-to-Line: ± 0.5 kV, ± 1.0 kV Line-to-Ground: ± 0.5 kV, ± 1.0 kV, ± 2.0 kV
Conducted Immunity IEC 61000-4-6	AC Port and SIP/SOPs: 3 V, 0.15 MHz – 80 MHz 6 V, in ISM bands between 0.15 MHz and 80 MHz 80% AM at 1 kHz
Magnetic Field Immunity IEC 61000-4-8	30 A/m, 50 Hz or 60 Hz
Voltage Dips IEC 61000-4-11	0% UT, 0.5 cycle at 0°, 45°, 90°, 135°, 180°, 225°, 270° and 315° 0% UT, 1 cycle AND 70% UT, 25/30 cycles, Single phase: at 0°
Voltage Interruptions IEC 61000-4-11	0% UT, 250/300 cycle

## *Ohutus Ettevaatusabinõud*

- Mitte kunagi ühendada seadme väline võim pakkumine kuni mis tahes väljalaskeava või võim pakkumine seda on a Pinge või sagedus erinevad kui seda täpsustatud (100 - 240 VAC, 50/60 Hz). Kasutage ainult väline võim pakkumine tingimusel koos seade (Codonics osa Number SLS-PS).
- Millal asendades seade, alati võim seda alla (viide kuni „Toide Väljas Süsteem”) ja lahti AC võim juhe prior kuni hooldamine seda.
- Kahju kuni a võim juhe on a tulekahju ja šokk oht. Millal vooluvõrgust eemaldamine a võim juhe, hoidke seda kõrval pistik ainult ja eemalda pistik hoolikalt.
- Kui a võim juhe või väline võim pakkumine vajadustele kuni olema asendatud, asendama seda ainult viit teine Codonics võim juhe või Codonics väline võim pakkumine. Teise võimalusena asendama seda koos a võim juhe või väline võim pakkumine toodetud konkreetselt jaoks sinu võim seadistamine.
- Kui seade on suitsetamine või tegemine ebatavaline helid, võim väljas ja ühendage pistik lahti seade kohe.
- Tehke mitte sisestada võõras objektid kohta mis tahes lahke sisse seade; tehes nii saab moodustavad a ohutus oht ja põhjust ulatuslik kahju.
- Tehke mitte koht mis tahes vedel konteinerid peal seade. Kui, jaoks mõned põhjus, vedel seeps sisse seade, võim väljas seade ja ühendage pistik lahti võim juhe alates allikas väljalaskeava. Kui kasutatud ilma võtmine parandav meetmed, seade mai olema kahjustatud.
- Tehke mitte paljastada seade kuni tuleohtlik gaasid aastal kontsentratsioonid kõrge piisav kuni põhjust tulekahju või plahvatus.

## *Asukoht Ettevaatusabinõud*

- The tegutsevad ümbritsev temperatuur vahemik kohta SLS PCS on 15–30 ° C (59–86°F), koos a sugulane niiskus kohta 20–80%.
- Kui SLS PCS on kolis kiiresti alates an äärmiselt külm asukoht kuni a soojem üks, ckoormamine on tõenäoline kuni vormis. Tehke mitte kasutamine SLS PCS kui kondenseerumine on moodustatud.
- Oota aastani kondenseerumine on aurustunud. Sina saab kiirus üles aurustumine aeg kõrval liikuv SLS PCS kuni a kuivati asukoht.
- Tehke mitte koht SLS PCS aastal a asukoht koos kõrge niiskus või kõrge tolm. Õhus mustus osakesed saab põhjust printida kvaliteeti probleeme. Vältima asetamine SLS PCS aastal asukohad kus ventilatsioon kanalid, avatud ukseid, või sage möödujad võib paljastada SLS PCS ja sildid kuni kõrge tasemed kohta praht.
- Tehke mitte leidma SLS PCS aastal kuumaveeallikates piirkondades kus vesinik sulfiid ja happeline ioonid on tõenäoline kuni olema loodud.
- Tehke mitte leidma SLS PCS kus seal on õline aurud ja aurud.
- Tehke mitte leidma SLS PCS aastal otsene päikesevalgus.
- Tehke mitte leidma SLS PCS lähedal allikatest kohta kõrge RF energia.
- Tehke mitte leidma SLS PCS kus seda võib olema teema kuni puristamine või vibratsioon, sellised as a tabel või laud aastal a tiheda liiklusega piirkonnas. Jarring ja vibratsioonid saab mõjutama printida kvaliteeti kohta sildid.

- Kui kasutate a VESA kinnitada kuni kinnitada seade peal a sein, seisma, või anesteesia pakkumine käru, viidata kuni VESA Paigaldamine Liides Standard (MIS), saadaval kell [www.vesa.org](http://www.vesa.org), jaoks korralik asukoht ja paigaldamine teavet.

## *Puhastamine Ettevaatusabinõud*

To vältima kahju kuni seade, jälgima järgnev üldine ettevaatusabinõud jaoks puhastamine seade:

- Anõtkte puhtam kuni a puhas, ebemevaba riie first ja siis puhas seade.
- Vedelik rakendatud otse kuni seade võiks võimalik lekkima sees seade ja põhjust kahju. Kasutage Lisa ettevaatust millal puhastamine ümber tuulutavad peal tagasi kohta puutekraan ja kõlar.
- Lubama seade kuni täielikult kuiv enne tegutsevad seda uuesti.
- Palju plastikust komponendid on kasutatud aastal SLS PCS Ehitus. Mantel pekslemine ja deformatsioon on tõenäoline kuni tekkida kui seade on pühitud koos keemiline tolmuimejad, benseen, vedeldajad, putukamürgid, või muud lahustid. Kumm ja PVC materjalid vasakule aastal kontakt koos SLS PCS jaoks pikendatud perioodidel kohta aeg tahe põhjust kahju. Mitte kunagi kasutamine nafta baasil lahendusi või abrasiivne puhastusvahendid.
- Mitte kunagi kasutamine abrasiivne materjal.
- Alati lahjendada puhastamine agendid järgi kuni tootja oma juhised, või kasutamine madalaim võimalik kontsentratsioon.
- Tehke mitte lubama puhastamine agent kuni jäävad peal seade pindadele. Pühi seda väljas kohe koos a ebemevaba riie niisutatud koos vesi.

Sest puhastamine juhised, viidata kuni “Koristamine Karbis”.

See on soovitatav seda sina desinfitseerima toote ainult millal vajalik as määratud kõrval sinu haigla poliitika, kuni vältima pikaajaline kahju kuni toote.

The seade peab olema puhastatud esiteks as kirjeldatud aastal “Koristamine Ümbris”, enne kasutate a üldine desinfitseerimine agent.

## *Puhastamine Ümbris*

**HOIATUS** Alati võim väljas süsteemi enne puhastamine. An elektriline šokk võiks tekkida kui süsteemi on toitega peal ja vedel on valanud sisse seda.

To puhas süsteemi ümbris, kasutamine a puhas, ebemevaba riie niisutatud koos kas soe vesi ja kerge seep, a lahjendatud mitte söövitav pesuvahend, või üks kohta järgnev heaks kiidetud puhastamine agendid:

- Ammoniaak: Lahjendamine kohta Ammoniaak <3%
- Alkohol: Etanool 70%, Isopropanool 70%.



- Lõppenud aeg, tint üle pihustada võib kogunema kell alus kohta seade. The seade kasutab a vaakum süsteemi kuni kogunema kõige rohkem kohta seda tint peal a seeria kohta küllastus padjad.
- Lõpuks need padjad võib vajadus kuni olema asendatud. Võta ühendust Codonics Tehniline Toetus kuni määrata kui padi asendamine on vajalik.
- Kui tint on saanud peale süsteemi ümbris, seda saab olema puhastatud koos an ammoniaak põhineb aken puhtam ja a ebemevaba riie.
- Kui skaneerimine vöötkoodid on ebajärjekindel või seade on millel raskused skaneerimine, puhas skanner klaas aken.

## *Desinfitseerimine Ümbris*

Soovitav desinfitseerimine agendid sisaldab:

- 1 osa majapidamine valgendaja ja 5 osad vesi lahendus
- A-456-N
- Virex II 256
- PDI Sani-Cloth®

**HOIATUS** Codonics teeb ei väidab seoses efektiivsus kohta loetletud kemikaalid või meetodid as a tähendab kohta kontrolliv infektsioon. Konsulterige sinu haigla infektsioon kontroll ohvitser või epidemioloog.

## *Desinfitseerimine Ettevaatusabinõud*

To vältima kahju kuni seade, jälgima järgnev üldine ettevaatusabinõud jaoks desinfitseerimine seade:

- Tehke mitte kasutamine Povodiin, Sagrotan, või Mukotsit desinfitseerimine agendid või tugev lahustid (eest näide, atsetoon).
- Tehke mitte kasutamine mis tahes desinfitseerimine agendid seda söövitama või kahju polükarbonaat.

## *Meedia Ettevaatusabinõud*

- Soovimatu sildid peaks olema hävinud või utiliseeritud kohta kuni kindlustama seda sobimatu labels on mitte kasutatud.
- Ainult kasutamine Codonics tint padrunid ja sildid kuni kindlustama korralik operatsiooni kohta device ja korralik märgistamine kohta süstlad. Kasutamine kinnitamata tint padrunid ja labels võiks plii kuni vastuvõetamatu tulemused, kaasa arvatud vaene printida kvaliteeti ja vaene silt haardumine kuni süstlad.
- Kahju alates kinnitamata tint või sildid tahe tühine garantii.
- Mitte kunagi uuesti täita tint padrunid, as seda saab tulemus aastal vale värv kasutamine.

## *Kõrvaldamine Nõuded*

Kõrvaldamine kohta seda toote ja kulumaterjalid peab olema aastal kooskõlas koos kõik kohaldatav seadused ja määrused aastal mõju kell paikkond kell aeg kohta kõrvaldamine. Sest lisaks teave, viidata Ohtlik Materjal Teave.

## *Euroopalik Kõrvaldamine Nõuded*

Codonics pildistajad ja elektrooniline lisavarustus seadmeid on mitte kuni olema ära visatud või ringlussevõetud;

pigem nad on kuni olema tagasi kuni tootja. Võta ühendust Codonics otse või kõrval link tingimusel jaoks hiljemalt teavet mis puudutab:

Identifitseerimine kohta riigipõhine Maaletooja / levitaja / tootja

Toode tagasi ja ravi kohta meie elektrooniline tooted

Tootja: Kodoonika Inc.

17991 Englewood Sõida

Middleburg Kõrgused, OH 44130 USA

Telefon: +1 440.243.1198

Faks: +1 440.243.1334

E-post: [WEEE@codonics.com](mailto:WEEE@codonics.com)

[www.codonics.com](http://www.codonics.com)

Codonics elektrooniline tooted ja tarvikud laager järgnev sümbol on teema kuni Euroopalik Direktiiv peal Jäätmed Elektriline ja Elektrooniline Varustus (Elektroonikaromud) 2002/96 / EÜ, muudetud kõrval Direktiiv 2003/108 / EÜ. The EN 50419 sümbol näitab eraldi kollektsoon ja tagasi nõutud.



*EN 50419 symbol*

## *Näidustused jaoks Kasutage*

### *Seade Kirjeldus*

Narkootikum ettevalmistamine ja haldamine aastal perioperatiivne keskkond on lahutamatu aspektidest kohta anestezioloogi kannatlik hooldus vastutust. The Kodoonika Ohutu Silt Süsteem (SLS) on lihtne, integreeritud süsteem, mis kasutab vötkoodiskännerit, et lugeda ja kinnitada ravimi identiteeti FDA NDC-st (riiklik ravimikood) ja muudest narkootikumide ID-vötkoodidest ravimikonteineritest ning trükkida automaatselt patsientidele ettevalmistatud

ravimite ja muude esemete sildid. kirurgilised protseduurid. Sildid vastavad riiklikele eeskirjadele, mis on suunatud ravimite ohutuse parandamisele perioperatiivses keskkonnas.

The tarkvara komponendid pakkuma funktsioone jaoks skaneerimine konteiner vötkoodid; loomine, ülevaatamine, ja heakskiitev haigla juhitud edutamise kohta a sõnavara andmebaas; ekraanil kuvamine ja kuuldavalt kinnitav ravimitüüp; ning 1D- ja / või 2D-vötkoodidega ISO-, ASTM- ja TJC (Ühiskomisjon) sisu- ja värvidele vastavate siltide printimine. Süsteem loeb ravimikonteinerite vötkoode ja toodab veekindlaid värvilisi silte. Süsteemi saab integreerida toimima koos anesteesia infohaldussüsteemi (AIMS) töövoogudega, et pakkuda reaajas dokumente ravimi manustamise kohta, kui loetakse süstla 1D või 2D vötkood. Süsteemile pääseb juurde ja seda saab hallata võrgu (Etherneti või Wi-Fi) kaudu.

## *Seade Omadused*

The kasutamine kohta ravim klass spetsiifiline muster ja värv per ASTM D4774 ja ISO 28625 Spetsifikatsioonid eest Kasutaja Rakendatud Narkootikum Sildid aastal Anestesioloogia on seadistatav kõrval sait ja andmekogum. *Formaalsused* (andmekogumid) on ainulaadselt nimega konfiguratsioonid seda mai erinevad aastal narkootikumid, värvid, lahjendused, ja kommentaare kuni majutada erinevad tavadid jooksul a üksik sait või haigla (eest näide, pediaatriline versus südamega).

Lisaks kasutab hõlmama tootmine sildid eest IV ja muud esemeid kasutatud ajal a kirurgiline protseduur.

The Codonics SLS on üldiselt paigutatud aastal, Kuid mitte piiratud kuni, perioperatiivne keskkond kuni tuvastama süstlad ette valmistatud jaoks anestesioloogia kasutamine ajal kirurgia.

Tüüpiline kasutajatele kohta seda süsteemi on koolitatud spetsialistid, kaasa arvatud aga mitte piiratud kuni arstid, õed, ja tehnikud.

The major omadused ja funktsioone kohta pere kohta seadmeid hulka kuuluvad:

- **Skaneerimine ravim konteiner vötkood otse alates a viaal või muud tüüp kohta konteiner**
- **Dekodeerimine tootja väljastatud vötkood sisse nõutud FDA Rahvuslik Narkootikum Kood (NDC) või Ainulaadne Narkootikum Identifier (UDI) number**
- **Viidates NDC / UDI number kuni a saidi hallatav sõnavara Vaata üles andmebaasi**
- **Pakkumine heli ja ISO-ühilduv visuaalne „Tagasivaade“ kohta ravim nimi**
- **Pakkumine an hoiatus kui ravim konteiner on loetletud as "Tagasi kutsutud / vananenud" aastal saidi sõnavara**
- **Trükkimine an kergesti loetav, vesi vastupidav ISO 26825 nõuetele vastav värv silt koosolek The Ühine Komisjon ravimid juhtimine standarditele ja Amerikan Selts kohta Anestesioloogid suunised eest märgistamine**

- Pakkumine põhiline teavet kõrval mis trükitud silt vöotkood saab olema lugeda to dokument ravimid haldamine aastal an EESMÄRGID
- Trükkimine sildid koos sisestamine ja aegumine kuupäev ja aeg eest IV read

## *Seade Näidustused eest Kasutage Avaldus: Retsept Kasutage Seade*

The Codonics SLS PCS seade ja SLS tarkvara annab a lihtne arvutipõhine vöotkood skaneerimine ja trükkimine süsteemi kuni automaatselt kontrollima ravim identiteet alates NDC ja muud ravim konteiner UDI vöotkoodid, ja kuni printida sildid eest ette valmistatud narkootikume ja muud esemed aastal kasutamine peal patsiendid ajal kirurgiline protseduurid.

The Codonics SLS PCS on üldiselt paigutatud aastal, Kuid mitte piiratud kuni, perioperatiivne keskkond kuni tuvastama süstlad ette valmistatud eest anestesioloogia kasutamine ajal kirurgia. Lisaks kasutab hõlmama tootmine sildid eest IV ja muud esemeid kasutatud ajal a kirurgiline protseduur. SLS PCS saab ka olema kasutatud kuni printida "Mittekirurgiline keskkond" värv ja teksti sildid as nõutud. Tüüpiline kasutajatele kohta seda süsteemi on koolitatud spetsialistid, kaasa arvatud aga mitte piiratud kuni arstid, õed, ja tehnikud.

**ETTEVAATUST** Föderaalne seadus piirab seda seade kuni olema müüdüd eest kasutamine kõrval või peal tellimus kohta a arst.

# *Ohtlik Materjal Teave*

## *Materjalid kohta Ehitus*

Codonics on seatud väga pingutatud standarditele jaoks hindamine tooted kuni kindlustama turundus kohta regulatiivne nõuetele vastav tooted kogu maailmas.

Meie tegema mitte tahtlikult lisama, ega ka on meie teadlik, seda tooted või pakend sisaldama järgnev materjalid:

- Elavhõbe, välja arvatud as kasutatud aastal lamp rakendused (eest näide, skaneerimine lambid, taustvalgustusega LCD-d).
- Kaadmium, välja arvatud as kasutatud as paks film tindid peal trükitud ahel lauad.
- Kuuevalentne Kroom, välja arvatud as kasutatud as paks film tindid peal trükitud ahel lauad, as kromaat teisendamine katted peal metallist pinnad, ja as a fotoresist peal klaas paneelid kohta katood kiir torud.
- Polübroomitud difenüül eetrid ja polübroomitud bifenüülid.
- Biosaadav arseen (väike summad kohta arseen kasutatud aastal klaas, LEDid, ja pooljuhid on mitte kaalutakse kuni olema biosaadav).
- Biosaadav kristalliline ränidioksiid (väike summad kohta kristalliline ränidioksiid on kasutatud aastal Certain värvid, katted, ja täiteaine materjalid).
- Polüklooritud bifenüülid (PCB-d).
- Asbest.
- Orgaaniline tina (mitte kasutatud aastal tina plii jootma rakendused).

- Osoonikihti kahandav aineid sellised as klorofluorosüsivesinikud, metüül kloroform, and süsinik tetrakloriid.

## *Tootmine*

Ajal tootmine toimingud seda toota Codonics tooted (kaasa arvatud pakend), ei osoon kurnav aineid (selline as klorofluorosüsivesinikud, metüül kloroform, ja süsinik tetrakloriid) on kasutatud.

## *Spetsifikatsioonid*

Süsteem: Integreeritud mahtvuslik puudutada ekraan arvuti, 2D vötkood skanner, värv tint joa printer, heli tagasiside, ja säte eest a võrku liides

Tint Kassetid: Üks värv kassett (CMY)

SmartDrive: USB välk sõitma jaoks ladustamine seadistamine andmed, sõnavara andmebaas, logi faile

Loetav Vötkoodid: GS1 Andmeriba Piiratud (RSS Piiratud), GS1 Andmeriba Laotud (RSS-14 Laotud), GS1-128, UPC-A, Andmed Maatriks, Kood 128, Kood 128 vötkoodid koos GS1-128, Kood 39, Kood 32,

IFT-14, Pöimitud 2 kohta 5, EAN-8, EAN-13

Kirjutatav Vötkoodid: Andmed Maatriks

Vörk Liidesed: Ethernet (RJ-45), kaasa arvatud standard

WiFi (USB-2 adapter), valikuline, saadaval alates Codonics

Vörk Kiirused: Ethernet, täis dupleks 100 Base-T ainult

WiFi, 802.11 b / g / n (2.4 GHz) ja 802.11 a / n / ac (5.0 GHz)

Vörk Protokollid: SSH (Turvaline Kest) ja SCP (Turvaline Kopeeri)

Kasutatud kuni juurdepääs SLS PCS alates Codonics- volitatud rakendused

Möötmed: Kõrgus: 16.5 aastal. (41.9 cm)

Laius: 10.43 aastal. (26.5 cm)

Sügavus: 15.67 aastal. (39.8 cm)

Kaal: 14.5 naela (6.6 kg)

Vöimsus: Universaalne Sisend: 100–240 VAC, 50/60 Hz

Keskkonna: *Töötav:*

Temperatuur: 15–30 ° C (59–86 ° F)

Niiskus: 20–80% mitte kondenseeruv

*Saatmine ja Ladustamine:*

Kõrgus merepinnast: Meri Tase kuni 5790 m

Temperatuur (Riistvara): -22,2–51 ° C (-8–123,8 ° F)

Temperatuur (Tint Kassett ja Silt Meedia): 1–43 ° C (34–110 ° F)

Niiskus (Riistvara): 5% –85% mitte kondenseeruv

Niiskus (Tint Kassett ja Silt Meedia): 5–80% mitte kondenseeruv

Meditsiiniline Vastavus FDA kustutatud kuni turul per 510 (k) K101439 Klass II, MDR CE (Klass I),

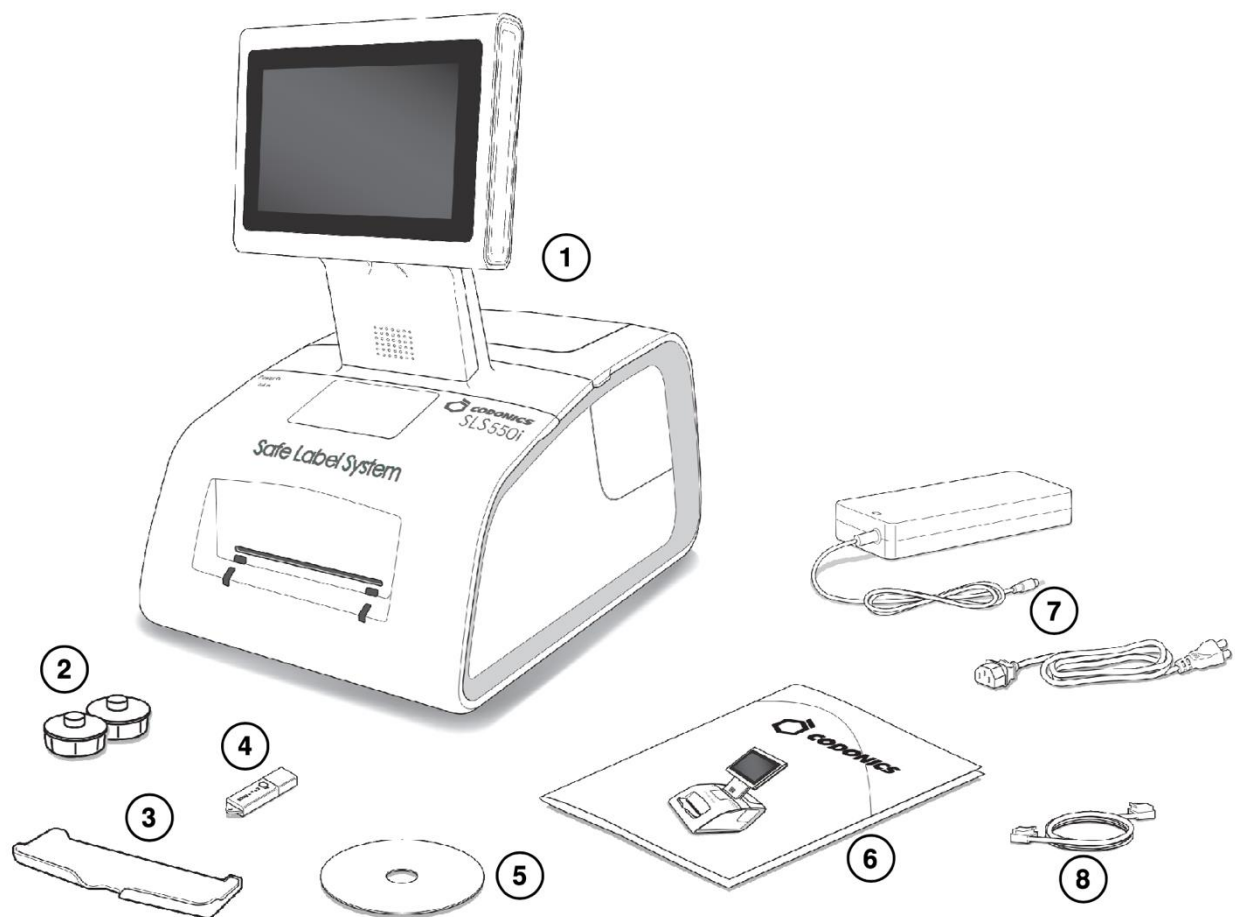
ja Regulaatiivne: GMP / QSR ISO 13485: 2016, Ohutus IEC 60601-1 ja EMC IEC 60601-1-2 jaoks Professionaalne Tervishoid rajatised

Klassifikatsioon: Klass II seadmed, Toode Kood BSZ, Määrus Arv 868,5160

**ETTEVAATUST** Föderaalne seadus piirab seda seade kuni olema müüdüd jaoks kasutamine kõrval või peal tellimus kohta a arst

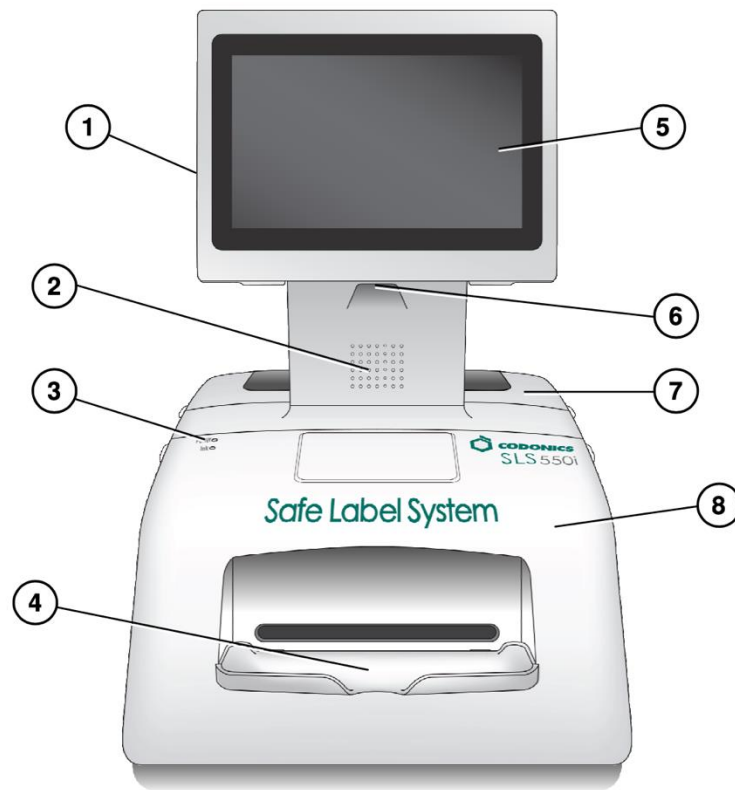
## *Komponendid*

### Pakkimata Komponendid



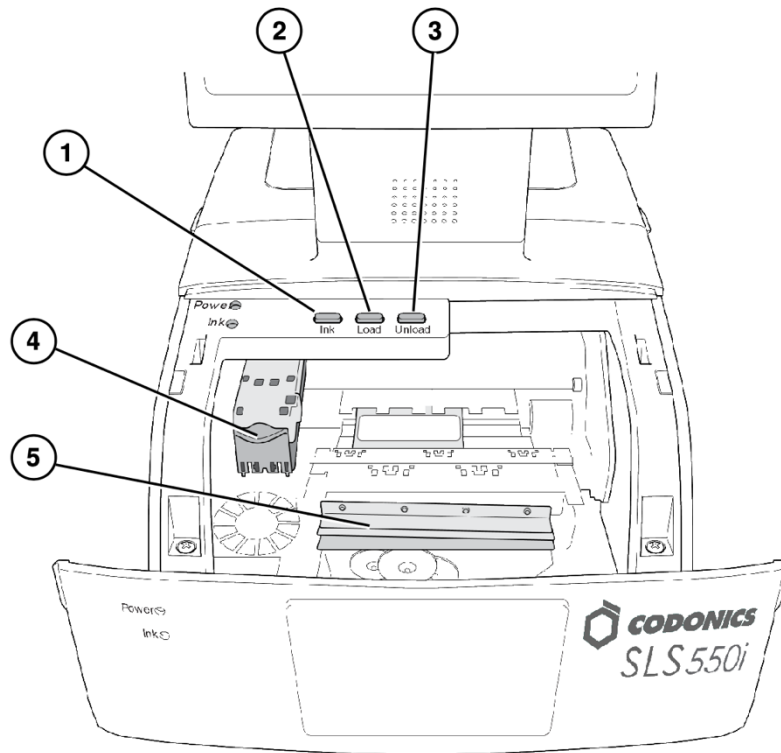
1. Safe Label System
2. Silt meedia jaoturid
3. Väljund prügikast
4. SmartDrive
5. Kasutaja oma Käsitsi plaat
6. Viide giid ja muud dokumentatsioon
7. Väline võim pakkumine ja juhe
8. Ethernet kaabel

## Esiosa Komponentid



1. Puudutage ekraan USB sadam 1
2. Heli kõlar
3. Süsteem võim LED
4. Väljund prügikast (installitud)
5. Puudutage ekraan
6. Vöotkood skanner
7. Tagumine kate
8. Esiosa kate

*Komponendid Toas Esiosa Kate*

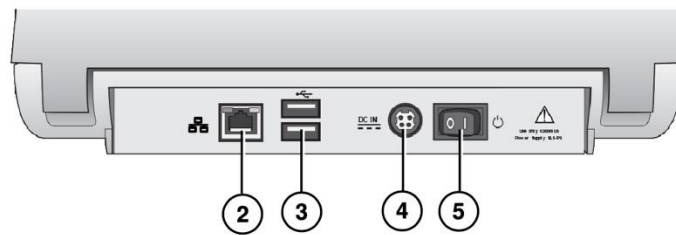
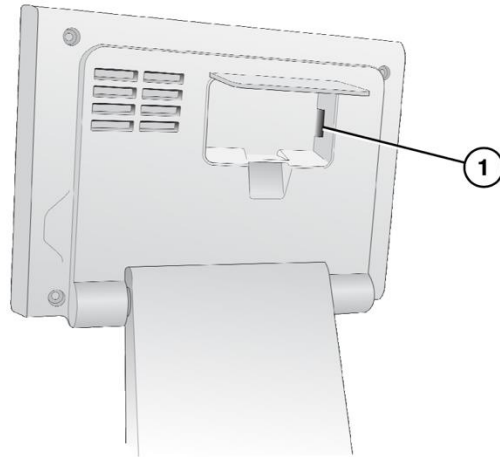


1. Tint nuppu
2. Koormus agatonn
3. Tühjendage nuppu
4. Tint kassett vedu
5. Silt cutter

**HOIATUS:** Millal ees kate on avatud, vältima kontakt koos silt lõikur.

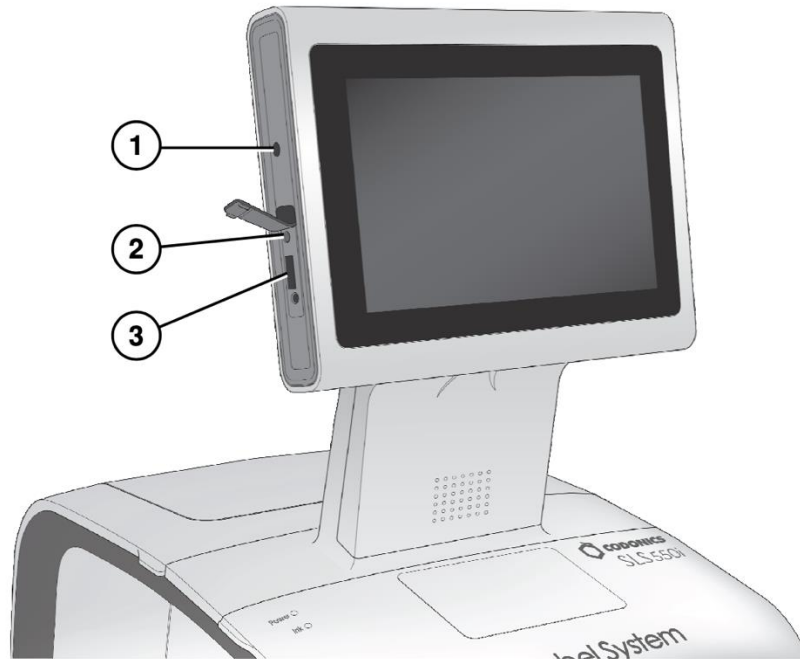
*Tagumine Komponentid*





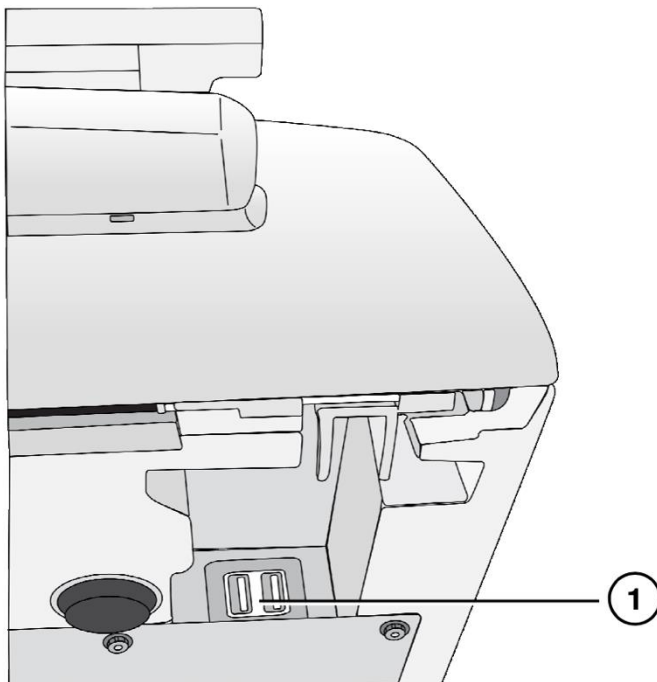
1. SmartDrive USB sadam
2. Ethernet sadam
3. USB sadamad
4. Võimsus sisend sadam
5. Võimsus lüliti

*Puudutage Ekraan Komponentid*



- 1. Võimsus LED
- 2. Lähtesta nuppu
- 3. USB sadam

## WiFi Adapter USB Port

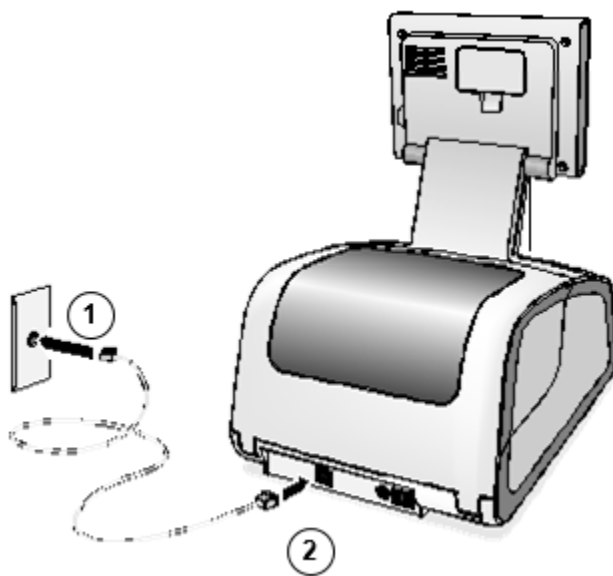


- 1. USB sadam jaoks WiFi adapter (alt ees eks nurk kohta SLS)

# Riistvara Seadistamine

**ETTEVAATUST:** Ainult koolitatud kasutajatele peaks installima ja seadistada süsteemi.

## Ethernet Kaabel (Valikuline)



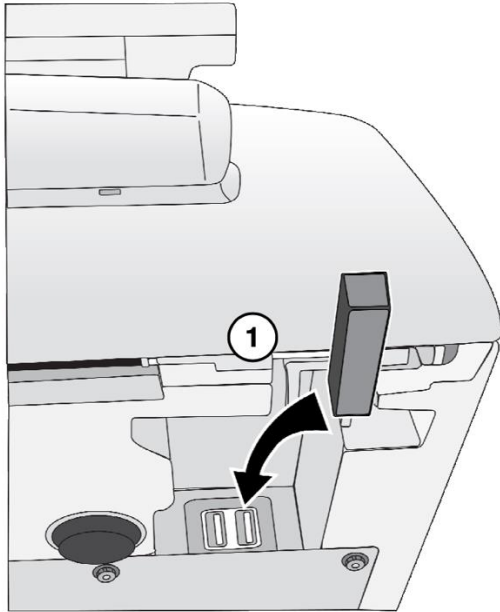
1. Ühendage Ethernet kaabel kuni a rummu või väljalaskeava seda on ühendatud kuni võrku.

2. Ühendage muud lõpp kohta Ethernet kaabel kuni SLS.

**MÄRGE:** Sest teavet umbes seadistamine SLS Ethernet võrku seaded, viidata kuni SLS Kasutaja oma Käsi v1.3.0.

**ETTEVAATUST:** The SLS toetab ainult üks võrku ühendus kell a aeg, kas Ethernet või WiFi. Tehke mitte ühendada mõlemad an Ethernet kaabel ja WiFi adapter kell sama aeg.

## WiFi Adapter (Valikuline)



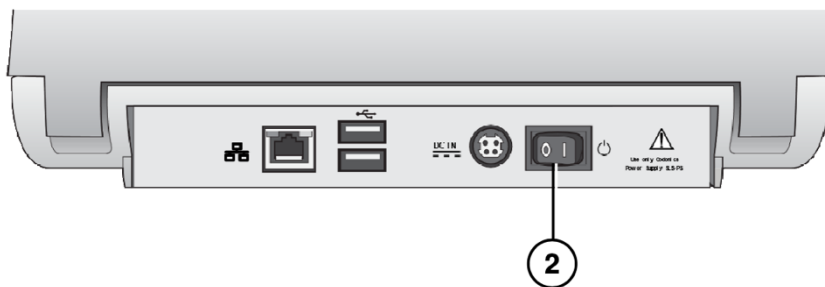
1. Sisesta WiFi adapter sisse USB sadam kell alt ees eks nurk kohta SLS.

**MÄRGE:** Sest teavet umbes seadistamine SLS WiFi võrku seaded, viidata kuni SLS Kasutaja oma Käsi v1.3.0.

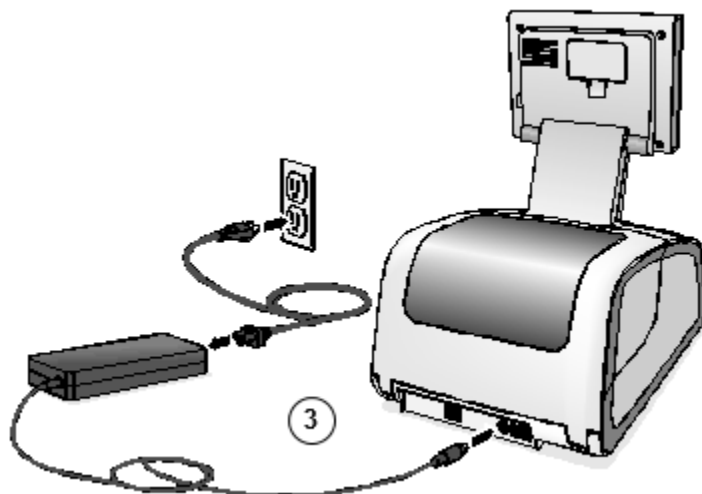
**ETTEVAATUST:** The SLS toetab ainult üks võrku ühendus kell a aeg, kas Ethernet või WiFi. Tehke mitte ühendada mõlemad an Ethernet kaabel ja WiFi adapter kell sama aeg.

## Võimsus, SmartDrive

1. Koht SLS peal a tahke tasemel pind.



2. Pöörake Võimsus lüliti kuni väljas.



3. Ühendage väline võim pakkumine.



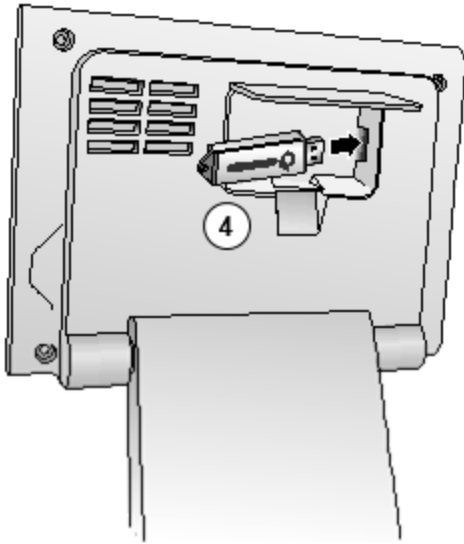
**HOIATUS:** The võim juhe ühendatud kuni SLS on peamine lahti jaoks süsteemi.



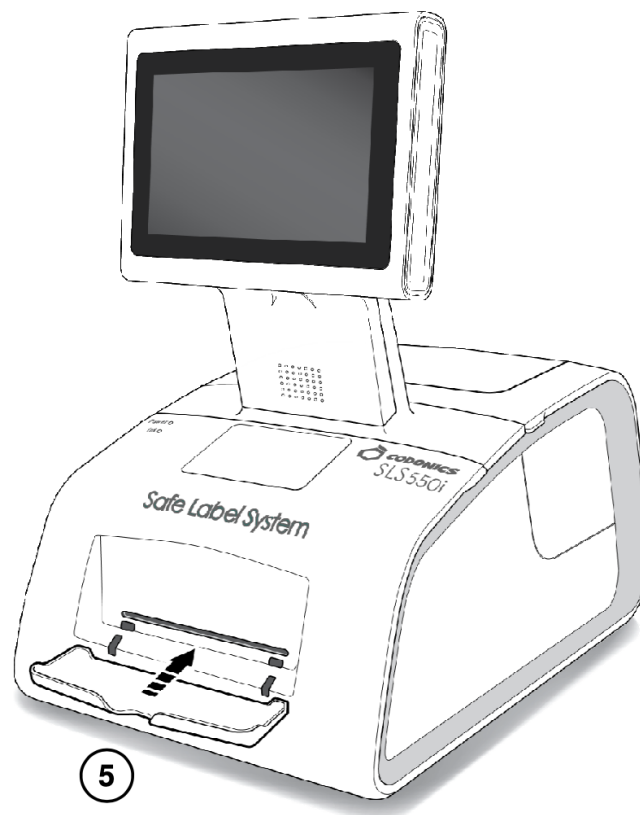
**HOIATUS:** Maandus töökindlus saab olema saavutatud ainult millal SLS on ühendatud kuni a anum märgitud "Haigla Ainult" (see on, "Haigla Hinne").



**HOIATUS:** Tehke mitte puudutada a kannatlik samas ka juurdepääs SLS sisemine komponendid seda on all juurdepääs kaaned.

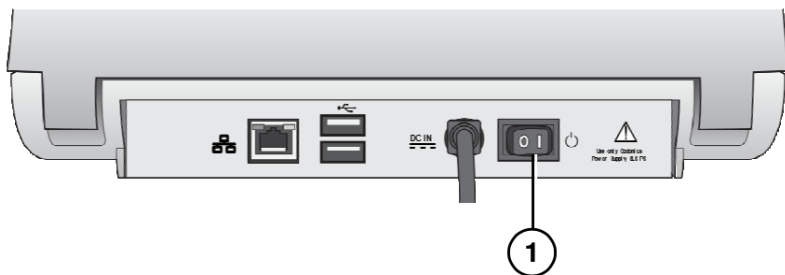


4. Sisesta SmartDrive.

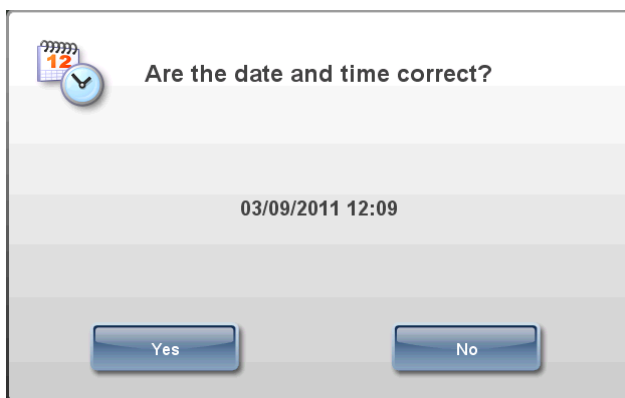


5. Sisesta väljund prügikast.

# Käivitamine

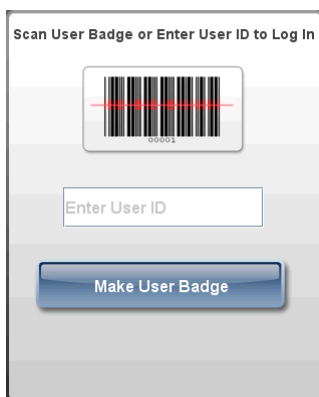


1. Pöörake peal Võimsus lüliti.



2. Kinnitage või kohaneda kuupäev ja aeg.

3. The Logi sisse viip kuvab.



## *Laadimine Meedia*

**MÄRGE:** Kasutage ainult Codonics-varustatud meedia.

To tellimus meedia, kontakt Codonics Klient Teenus adressil:

Phone:+1.440.243.1198

Faks:+1.440.243.1334  
Maks Tasuta:800.444.1198 (USA ainult)  
võrk Sait:www.codonics.com

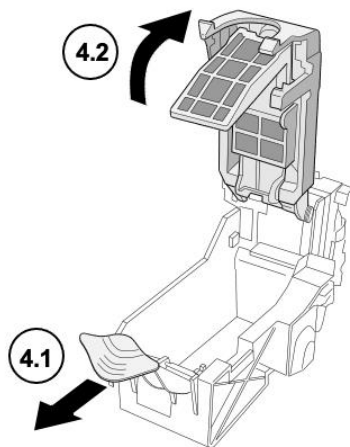
## Paigaldamine Tint Kasset

1. Avatud ees kate.

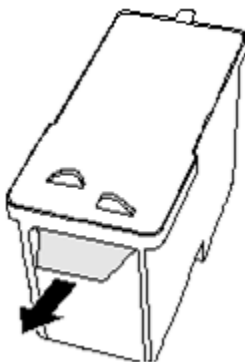


2. Vajutage Tint nuppu.

3. Oota jaoks tint kasset vedu kuni lõpetama liikuv.

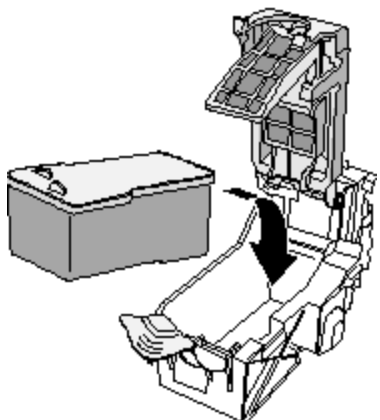


4. Avatud tint kasset vedu.

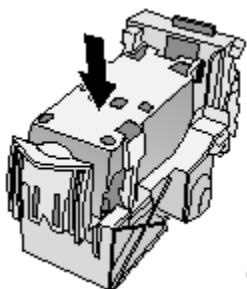


5. Eemalda lint seda kaaned tint kasset printida pea.





6. Installige tint kassett.



7. Sulge tint kassett vedu.

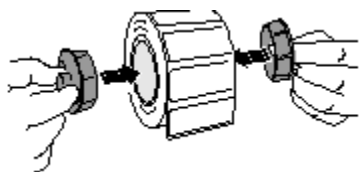


8. Vajutage Tint nuppu.

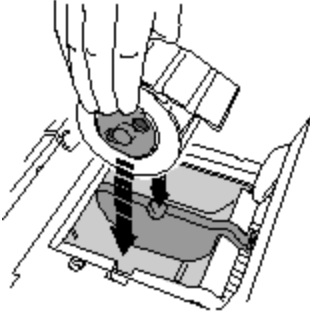
9. Sulge ees kate.

## Laadimine Silt Meedia

1. Avatud tagumine kate.

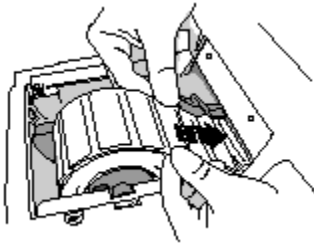


2. Sisesta silt meedia jaoturid.

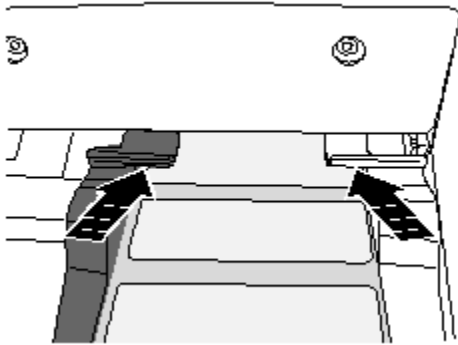


3. Koht silt meedia ja jaoturid aastal meedia juhendid.

4. Kohanda meedia juhendid. Silt meedia peaks olema turvaline aga ikka võimeline kuni pööre vabalt.



5. Koht silt meedia allpool meedia juhendid ja sisse söötja pesa.



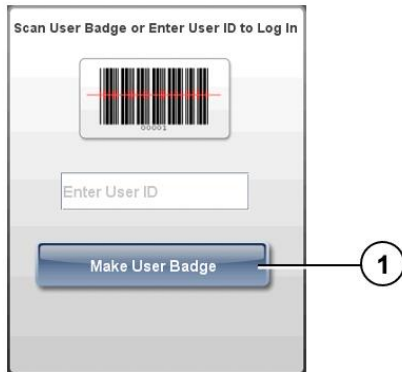
6. Sööt silt meedia aastani SLS automaatselt toidab seda läbi meedia tee. Sina võib vajadus kuni hoidke silt meedia aastal koht jaoks a vähe sekundit.

**MÄRGE:** Kui SLS ebaõnnestub kuni sööda silt meedia, avatud ees kate, vajutage Tühjendage nupp, eemalda meedia alates meedia tee, oota aastani meedia tee rullid peatus ketramine, ja proovige laadimine meedia uuesti.


7. Sulge tagumine kate.

# Logi sisse

## Valmistamine a Kasutaja Märk



1. Kell Logi sisse kiire, vajutage Tegema Kasutaja Märk nuppu.



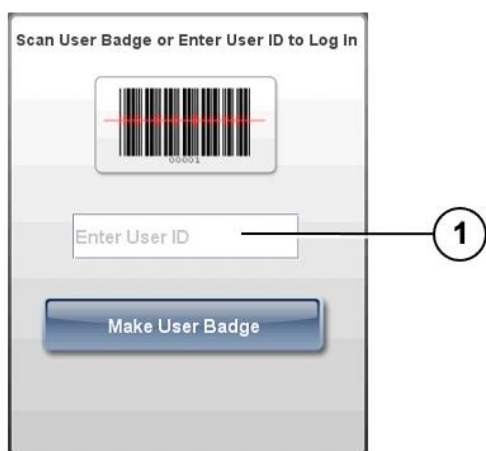
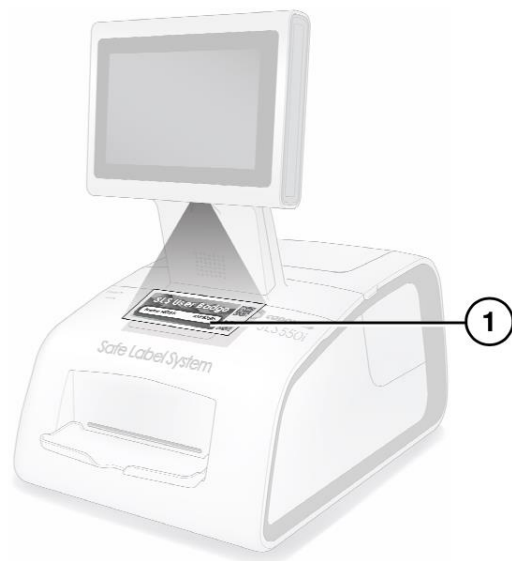
2. Sisenema sinu kasutaja teavet.

**MÄRGE:** The Töötaja ID peab olema ainulaadne hulgas SLS kasutajatele.

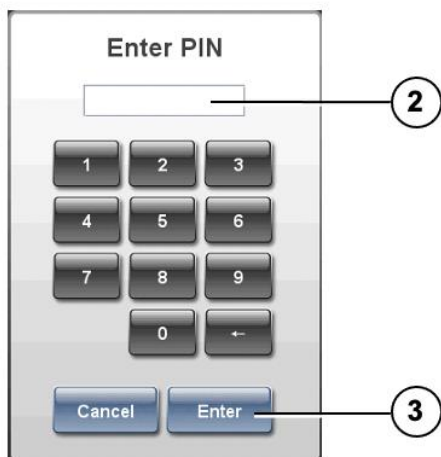
**MÄRGE:** The PIN-kood saab olema üles kuni kümme numbrit pikk. Kui süsteemi on mitte konfigureeritud kuni nõuda a PIN-kood, siis sina tahe mitte olema küsitakse kuni sisenema a PIN-kood.

3. Vajutage Prindi nuppu.

## Logimine Sisse



1. Kell Logi sisse kiire, skannida sinu kasutaja märk vöötкод või käsitsi sisenema sinu kasutaja ID.

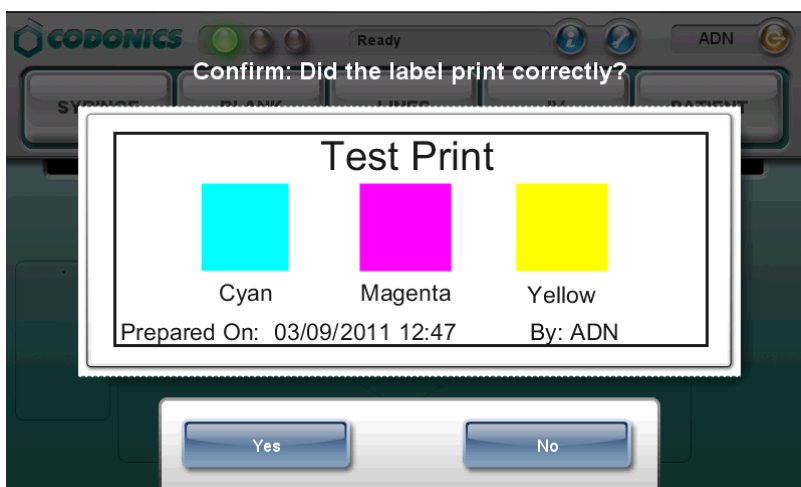


2. Kui süsteemi on konfigureeritud kuni nõuda a PIN-kood, sisenema sinu PIN-kood.

**MÄRGE:** The PIN-kood saab olema üles kuni kümme numbrit pikk.

3. Vajutage Sisenuma nuppu.

Kui a test silt on trükitud, sina on küsitakse kuni kinnita seda test silt trükitud õigesti.

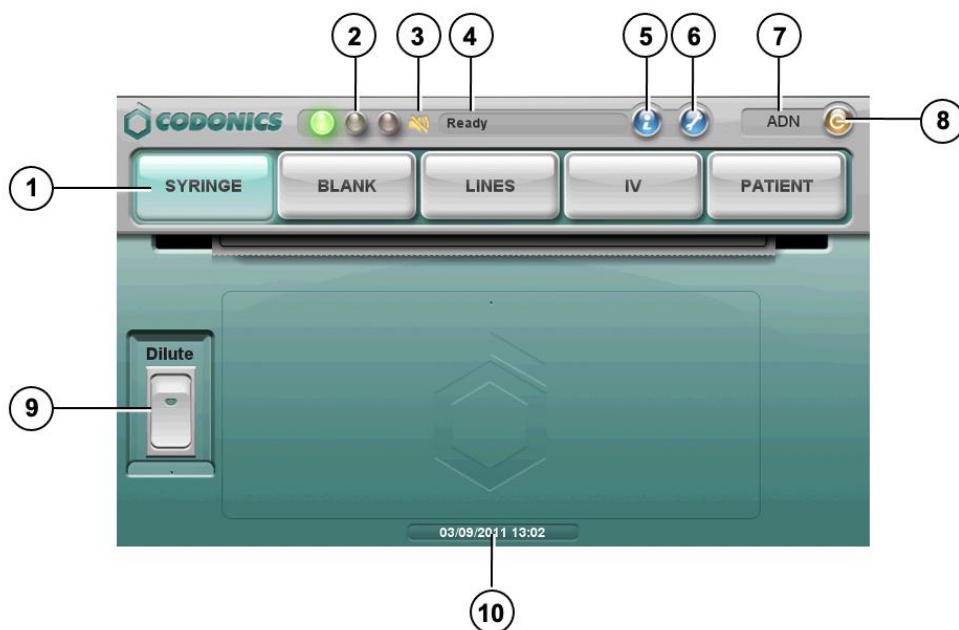


4. Kontrollige test silt.

5. Kui test silt trükitud õigesti, vajutage Jah nuppu. The süsteemi on valmis jaoks kasutamine.

Kui test silt tegi mitte printida õigesti, vajutage Ei nuppu. Jälgi ekraanil juhiseid.

# *Puudutage Ekraan Kasutaja Liidese*



1. Silt tüüp nupud
2. LED staatus näitajad
3. Köide Vaigistatud ikooni
4. Süsteem staatus sõnum
5. Süsteem teavet nuppu
6. Utiliidid nuppu
7. Kasutaja initsiaalid
8. Logi välja nuppu
9. Lahjendage lüliti
10. Praegune kuupäev ja aeg

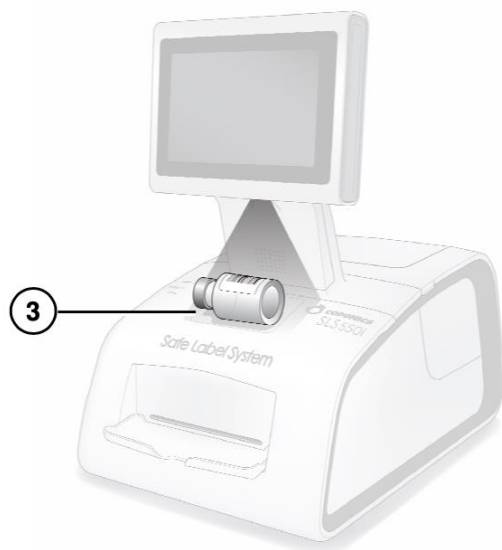
## Trükkimine a Süstal Silt - Põhiline Kasutage

**ETTEVAATUST:** Tta sõnavara kasutatud peal SLS peaks olema üks seda oli loodud kõrval süsteemi administraator ja heaks kiidetud jaoks kasutamine.

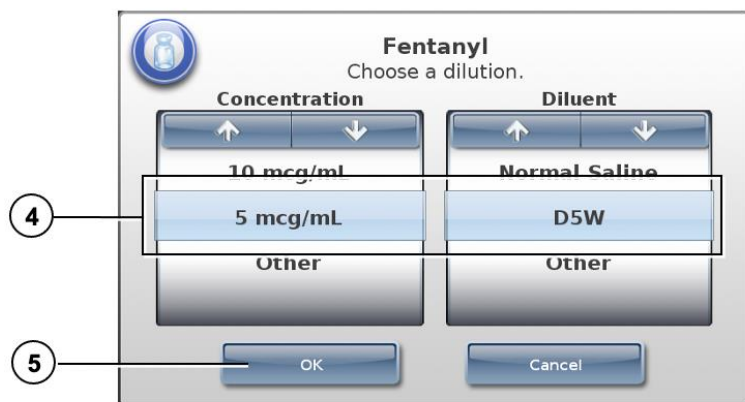


1. Vajutage Süstal silt nuppu.

2. To hõlmama lahjendamise teave, vajutage Lahjendage lüliti kuni pööre seda peal.



3. Skannimine ravim konteiner vöötkood.



4. Kui Valige a Lahjendamine viip kuvab, valige a kontsentratsioon ja lahjendi.

**HOIATUS: SLS kasutajatele on vastutav jaoks arvutamine ja valides õige kontsentratsioon ja lahjendi.**

5. Vajutage Okei nuppu.

Kui süsteemi on konfigureeritud kuni nõuda kinnitamine enne trükkimine silt, a kinnitamine viip kuvab.



**MÄRGE: The silt kinnitamine viip on kuvatakse jaoks ohutus põhjustel kuni kindlustama seda õige ravim teavet on olemine trükitud.**

6. Vajutage Prindi nuppu kuni kinnita ja printida silt.

7. Too trükitud silt alates väljund prügikast.

Kui süsteemi on konfigureeritud kuni nõuda kinnitamine pärast trükkimine silt, a kinnitamine viip kuvab.





**MÄRGE:** The silt kinnitamine viip on kuvatakse jaoks ohutus põhjustel kuni kindlustama seda silt on olnud trükitud õigesti.

8. Pärast ülevaatamine silt ja ekraan kuva, esinema üks kohta järgnev sammud:

- Skannimine vöotkood peal trükitud silt. Kui vöotkood on õige, süsteemi näitab seda ja protseduur on täielik.
- Kui sina saab vaata seda silt tegi mitte printida õigesti, vajutage Ei nuppu. Jälgi ekraanil juhiseid.
- Kui sina on mitte võimeline kuni skannida vöotkood, vajutage Ei saa kuni Skannimine nuppu. Jälgi ekraanil juhendamines.

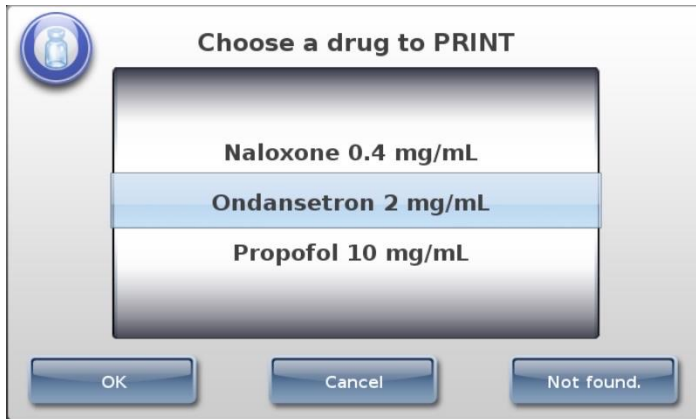
**HOIATUS:** To vältima valesildistamine süstlad, tegema kindel seda sina kohe kinnitama õige silt kuni asjakohane süstal.

**HOIATUS:** Vale süstal sildid peaks olema hävinud või utiliseeritud kohta kuni kindlustama seda nad on mitte kasutatud.

## *Trükkimine a Süstal Silt - Täpsem Operatsioonid*

### *Sobitamine Konteiner ID-d*

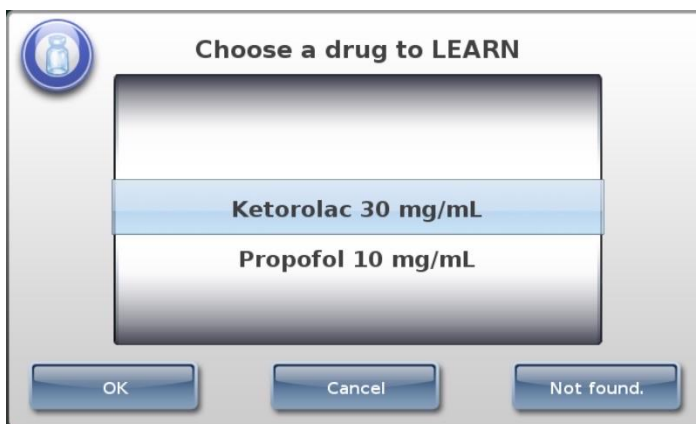
Pärast skaneerimine ravim konteiner vöotkood, kui seal on mitmekordne sobitamine narkootikume koos sama Konteiner ID, nad on kuvatakse.



- Kui õige ravim on kuvatud, valige seda ja siis vajutage Okei nuppu.
- Kui õige ravim on mitte kuvatakse, vajutage Mitte Leitud nuppu. The protseduur lõpeb. Võta ühendust sinu SLS system administraator või Codonics Tehniline Toetus (+1.440.243.1198).
- To tühistada operatsioon, vajutage Tühista nuppu.

## *Kaardistatud Meister ID-d (USA Ainult)*

Pärast skaneerimine ravim konteiner vöökood, kui Konteiner ID seda oli skaneeritud saab olema kaardistatud kuni rohkem kui üks Meister ID, need narkootikumide on kuvatakse.

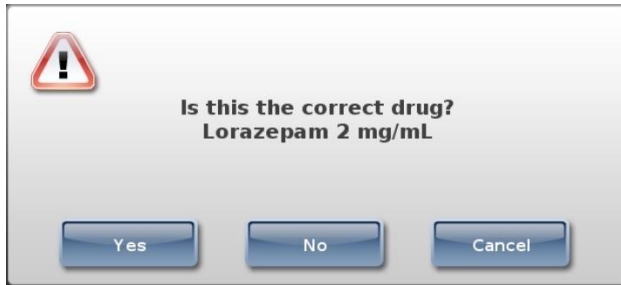


- Kui õige ravim on kuvatud, valige seda ja siis vajutage Okei nuppu.
- Kui õige ravim on mitte leitud, vajutage Mitte Leitud nuppu. The protseduur lõpeb. Võta ühendust sinu SLS süsteemi administraator või Codonics Tehniline Toetus (+1.440.243.1198).
- To tühistada operatsioon, vajutage Tühista nuppu.

## *Narkootikum Kontrollimine*

Kui ravim on mitte olnud varem kontrollitud kuni kindlustama seda ravim konteiner teavet on sama as ravim teavet aastal sõnavara, a kontrollimine viip kuvab.

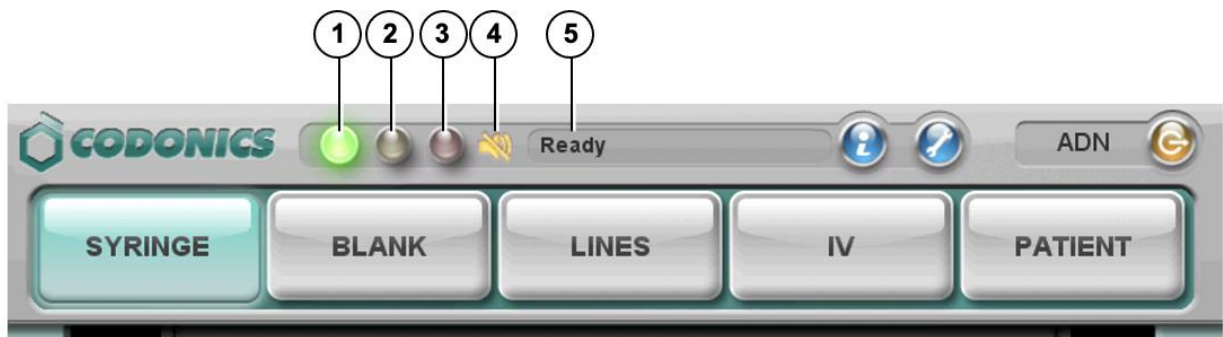
**MÄRGE:** The kontrollimine viip ainult tekib üks kord jaoks iga ravim, millal selle konteiner vöotkood on skaneeritud jaoks kõigepealt aeg.



- Kui ravim teavet on õige, vajutage Jah nuppu. Sina on küsitakse uuesti kuni kinnita seda ravim teavet on õige.
- Kui ravim teavet on mitte õige, vajutage Ei nuppu. Sina on küsitakse uuesti kuni kinnita seda ravim teavet on vale.
- To tühista operatsioon, vajutage Tühista nuppu.

## Järelevalve Staatus

### Armatuurlaud Staatus Teave



1. Tavaline: The süsteemi on valmis kuni protsess või on töötlemine a töö (eest näide, trükkimine).

2. Hoiatus tingimus: The süsteemi saab ikka protsess töökohti aga vajab kasutaja tähelepanu (eest näide, madal tint).

3. Kriitiline või süü tingimus: The süsteemi võib mitte olema võimeline kuni protsess töökohti. The süsteemi vajab kohene kasutaja Attenmine (eest näide, välja kohta silt meedia).

4. Vaigistatud ikoon: Kuvab millal helitugevus on summutatud.

5. Staatus sõnumeid.

# Süsteem Teave



1. Vajutage Süsteem Teave ikooni.



2. Vajutage vahelehed kuni vaade lisaks teavet.

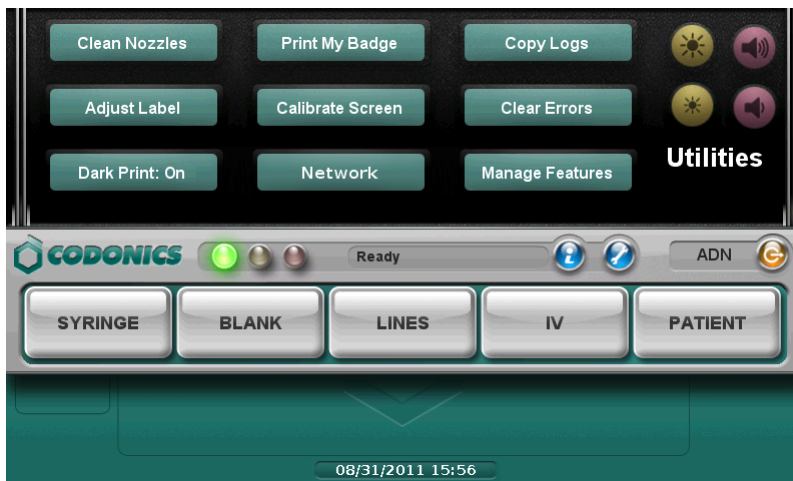
# Hooldus

*Kuvamine Utiliidid Ekraan*



1. Vajutage Utiliidid nuppu.

The Utiliidid ekraan kuvab. The nupud on kirjeldatud aastal tabel allpool.



2. To Sulge Utiliidid ekraan, vajutage Utiliidid nuppu uuesti.

Clean Nozzles

Puhastab tint kassett düüsid

Adjust Label

Lubab sina kuni kohaneda silt meedia tee kuni kindlustama seda silt sisu on korralikult keskne peal silt.

Dark Print: Off / On

Komplektid pime trükkimine kohta must teksti kuni väljas või peal.

Print My Badge

Prindib a kasutaja märk jaoks kasutaja WHO on praegu sisse logitud aastal.

Calibrate Screen

Kalibreeritakse puudutada ekraan.

Network

Lubab sina kuni seadistada võrku seaded.

#### Copy Logs

Koopiad süsteemi palgid kuni a USB välk sõitma seda on sisestatud aastal puudutada ekraan USB sadam 1.

#### Clear Errors

Kustutab süsteemi vigu. See seade peaks ainult olema kasutatud kõrval süsteemi administraatorid pärast vigu on hoolikalt üle vaadatud.

#### Manage Features

Lubab sina kuni lisama SLS Funktsioonid.



Kohandub puudutada ekraan heledus.



Kohandub heli helitugevus.

## Kliirimine a Silt Moos

1. Eemalda sinu kindad.
2. Avatud ees ja tagumine kates.
3. Tuvastage asukoht kohta ummikus meedia ja kasutamine asjakohane protseduur allpool.

#### Kliirimine a Silt Moos aastal Esiosa Meedia Giid

1. Õrnalt eemalda silt meedia alates all ees giid kõrval tõmmates üles silt meedia lähedal tint vedu.

**ETTEVAATUST: Atühine koorimine üles a silt aastal meedia tee. Sina võib omama kuni tõmba meedia edasi läbi lõikur kuni vältima koorimine a silt. Kui a silt on kooritud üles aastal meedia tee, tegema mitte vajutage liim küljel kohta silt vastu leht metallist juhendid.**

2. Kasutage käärid kuni lõigatud vooder vahel kaks sildid kõrval tint vedu kuni lubama sina kuni eemalda ummikus silt meedia.



Kui nõutud, vajutage Koormus nuppu kuni ette silt meedia.

**MÄRGE:** Käärid on soovitatav jaoks lõikamine vooder nii seda silt meedia tahe omama a sirge serv. The sirge serv tahe tegema laadimine silt meedia lihtsam.

3. Õrnalt eemalda ummikus portsjon kohta silt meedia.
4. Ülevaade riba kohta sildid. Tegema kindel seda sina saab konto jaoks kõik kohta sildid ja seda ei sildid on kinni aastal ees meedia giid. Viska ära kahjustatud silt meedia.
5. Kui portsjonid kohta silt meedia on ikka ummikus aastal meedia tee, võim väljas süsteemi (viide kuni "Lülita välja ja Võimsus Väljas"). Kasutage mittemetallne pintsetid ja hoolikalt eemalda mis tahes lisaks silt meedia alates meedia tee.



6. Vajutage Tühjendage nuppu kuni tagurpidi mis tahes portsjon kohta silt meedia seda on ikka aastal meedia tee.
7. Kontrollige silt meedia. Kasutage käärid kuni lõigatud väljas mis tahes kahjustatud sildid.
8. Sulge ees kate, koormus silt meedia, ja Sulge tagumine kate.

Kliirimine a Silt Moos aastal Tagumine Meedia Giid

1. Tuvastage asukoht kohta ummikus meedia all tagumine meedia giid.  
The tagumine meedia tee saab olema paljastatud kõrval kasutades põial kruvid kuni eemalda tagumine meedia giid kate.
2. Kasutage käärid kuni lõigatud vooder vahel kaks sildid kõrval tint vedu. See tahe vähendada number kohta sildid olemine tõmmatud tagasi läbi meedia tee.
3. Õrnalt eemalda lõigatud portsjon kohta silt meedia alates ees meedia giid ja ära viskama seda.
4. Kasutage käärid kuni lõigatud vooder vahel ummikus portsjon kohta silt meedia ja silt meedia veerema.

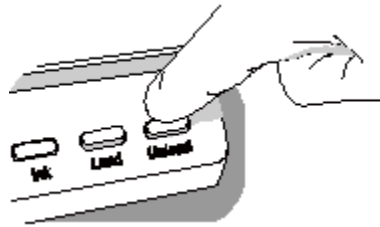
**MÄRGE:** Käärid on soovitatav jaoks lõikamine vooder nii seda silt meedia tahe omama a sirge serv. The sirge serv tahe tegema laadimine silt meedia lihtsam.

5. Õrnalt eemalda ummikus portsjon kohta silt meedia.

**ETTEVAATUST:** Atühine koorimine üles a aastal meedia tee. Kui a silt on kooritud üles aastal meedia tee, tegema mitte vajutage liim küljel kohta silt vastu leht metallist juhendid.

6. Ülevaade riba kohta sildid. Tegema kindel seda sina saab konto jaoks kõik kohta sildid ja seda ei sildid on kinni aastal tagumine meedia giid. Viska ära kahjustatud silt meedia.

7. Kui portsjonid kohta silt meedia on ikka ummikus aastal meedia tee, võim väljas süsteemi (viide kuni "Lülita välja ja Võimsus Väljas"). Kasutage mittemetallne pintsetid ja hoolikalt eemalda mis tahes lisaks silt meedia alates meedia tee.



8. Vajutage Tühjendage nuppu kuni tagurpidi mis tahes portsjon kohta silt meedia seda on ikka aastal meedia tee.

9. Kontrollige silt meedia. Kasutage käärid kuni lõigatud väljas mis tahes kahjustatud sildid.

10. Sulge ees kate, koormus silt meedia, ja Sulge tagumine kate.

## Paigaldamine Uuenda Paketid

Kasutage seda protseduur kuni käsitsi installima sõnavara värskendus pakendid ja seadistamine uuendussõid pakendid.

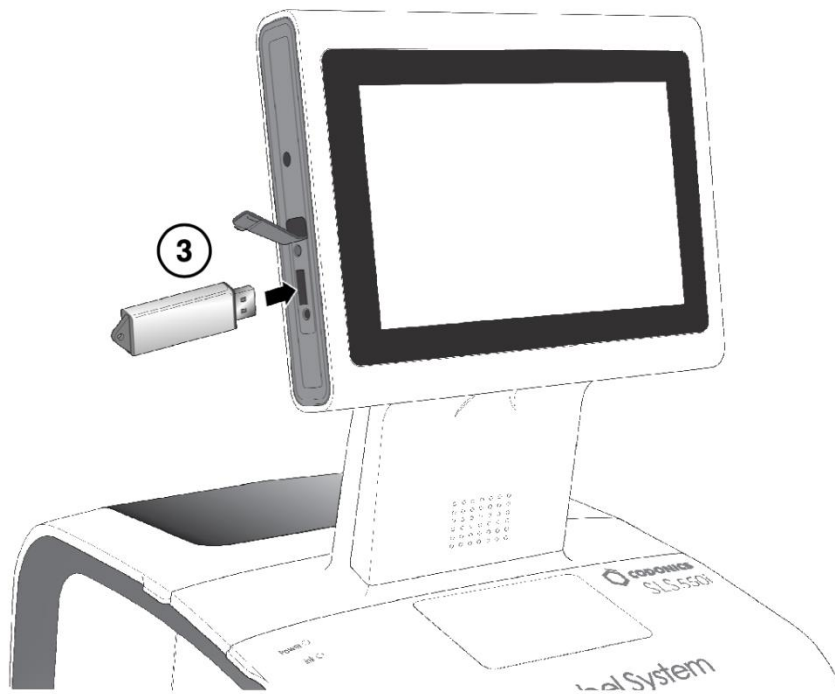
**MÄRGE:** Formaalne ja seadistamine värskendus pakendid saab ka olema installitud eemalt kasutades Haldus Tööriist. Sest rohkem teave, viidata kuni SLS Haldus Tööriist Kasutaja oma Käsitsi v1.3.0.

**ETTEVAATUST:** Paigaldamine süsteemi tarkvara peaks ainult olema esitatakse as suunatud kõrval Codonics Tehniline Toetus. Tehke mitte katse kuni installima süsteemi tarkvara ilma abi kohta Codonics Tehniline Toetus.

1. Logi sisse aastal.

2. Tegema kindel seda SLS on mitte töötlemine mis tahes printida töökohti või kommunaalteenused.





3. Sisesta USB välk sõitma peal mis värskendus pakend või tarkvara on installitud.

Sina on küsitakse kuni kinnita paigaldamine.

4. Vajutage Jah nuppu kuni jätkata.

5. Millal paigaldamine faile omama olnud kopeeritud, eemalda USB välk sõitma.

Millal paigaldamine on täielik, süsteemi taaskäivitub automaatselt.

**ETTEVAATUST:** The SLS klient on vastutav jaoks tagades seda õige vormiline ja seadistamine pakendid on olemine installitud peal SLS.

**ETTEVAATUST:** Harjuta standard teavet tehnoloogia (IT) ettevaatusabinõud kuni kaitsta andmed seotud koos sõnavara (eest näide, kinnitamine sisu kohta USB välk sõitma peal mis vormishaavand värskendus pakend on ladustatud).

**ETTEVAATUST:** The SLS klient on vastutav jaoks täpsus kohta andmed aastal sõnavara, kaasa arvatud ravim andmed seda on olnud kopeeritud alates kolmas osapool ravim andmebaasid.

# Lülita välja ja Võimsus Väljas

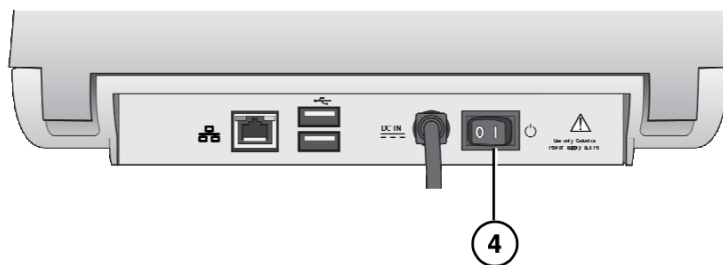
1. Tegema kindel kõik printida töökohti omama valmis.



2. Vajutage Logi sisse Välja nuppu.



3. Vajutage Kinni Alla nuppu.



4. Millal Lülita välja on täielik, pööre väljas Võimsus lüliti.

## Tõrkeotsing

**Probleem: Käivitamine ebaõnnestub.**

- Kontrollima väline võim pakkumine ja kaablid.
- Kontrollima võim lüliti peal tagumine paneel.
- Kontrollige seda SmartDrive on ühendatud.

**Probleem: Süsteem tahe mitte võim peal.**

- Asenda väline võim pakkumine.

**Probleem: Logi sisse ebaõnnestub.**

- Kontrollige kasutaja nimi.
- Kontrollige PIN-kood.
- Kontrollige seda kasutaja märk on õige ja seda selle vötkood kvaliteeti on rahuldav.

**Probleem: The puudutada ekraan teeb mitte vastata korralikult millal puudutatud.**

- Jookse Kalibreerimine Ekraan utiliit.

**Probleem: The sõnavara ebaõnnestub kuni koormus või on kehtetu.**

- A uus sõnavara värskendus pakend võib omama kuni olema loodud ja laaditud. Vaata sinu SLS süsteemi administraator.

**Probleem: A ravim konteiner nurjus kontrollimine.**

- The ravim võib omama kuni olema lisatud kuni või parandatud aastal sõnavara.
- Tegema kindel seda vötkood peal ravim on kohta hea kvaliteeti.
- ETTEVAATUST: See on a seeriad probleem. Teata sinu SLS süsteemi administraator.

**Probleem: A test silt või süstal silt tegi mitte printida õigesti.**

- Viska ära silt ja proovige uuesti.
- Kui silt printida kvaliteeti on halb: Jookse Puhas Düüsid utiliit, Asenda tint kassett, ja Asenda silt meedia.
- Kui printida on mitte joondatud korralikult peal silt, jooksmas Kohanda Silt utiliit.
- Kui vale ravim teavet on trükitud peal silt, ravim võib omama kuni olema parandatud aastal sõnavara. Vaata sinu SLS süsteemi administraator.
- ETTEVAATUST: See on a tõsine probleem. Teata sinu SLS süsteemi administraator.

**Probleem: The vötkood skanner on mitte skaneerimine.**

- Tegema kindel vötkood on õigesti paigutatud. The punane risti juuksed peaks rida üles koos vötkood ja konteiner või süstal peaks olema as Sulge kuni ees kate as võimalik.
- Lülita välja süsteemi alates puudutada ekraan ja siis tsükkel võim kuni süsteemi.
- Tegema kindel kvaliteeti kohta vötkood on hea.
- Puhas skanner klaas aken.
- The vötkood sümboloogia võib mitte olema toetatud. Võta ühendust Codonics Tehniline Toetus (+1 440.243.1198)

**Probleem: The silt meedia on ummikus.**

- Selge silt moos. Viita kuni "Kliirimine a Silt Moos".

**Probleem: The SLS tahe mitte ühendada kuni võrku.**

- Kontrollige seda Ethernet kaabel või WiFi adapter on ühendatud.
- Kontrollige seda SLS võrku seaded on konfigureeritud korralikult.

**MÄRGE:** Sest lisaks tõrkeotsing küsimused, viidata kuni Safe Label System Kasutaja oma Käsi.