

Table of Contents

<i>EN - English</i>	12
<i>Components</i>	28
<i>Unpacked Components</i>	28
<i>Front Components</i>	29
<i>Components Inside Front Cover</i>	30
<i>Rear Components</i>	31
<i>Touch Screen Components</i>	32
<i>Wi-Fi Adapter USB Port</i>	33
<i>Hardware Setup</i>	34
<i>Ethernet Cable (Optional)</i>	34
<i>Wi-Fi Adapter (Optional)</i>	35
<i>Power, SmartDrive</i>	35
<i>Startup</i>	37
<i>Loading Media</i>	38
<i>Installing the Ink Cartridge</i>	39
<i>Loading Label Media</i>	40
<i>Login</i>	41
<i>Making a User Badge</i>	42
<i>Logging In</i>	42
<i>Touch Screen User Interface</i>	44
<i>Printing a Syringe Label — Basic Use</i>	45
<i>Printing a Syringe Label — Advanced Operations</i>	48
<i>Matching Container IDs</i>	48
<i>Mapped Master IDs (USA Only)</i>	49

<i>Drug Verification</i>	49
<i>Monitoring Status</i>	50
<i>Dashboard Status Information</i>	50
<i>System Information</i>	50
<i>Maintenance</i>	51
<i>Displaying the Utilities Screen</i>	51
<i>Clearing a Label Jam</i>	53
Clearing a Label Jam in the Front Media Guide	53
Clearing a Label Jam in the Rear Media Guide	54
<i>Installing Update Packages</i>	55
<i>Shutdown and Power Off</i>	57
<i>Troubleshooting</i>	58

<i>SL - Slovenski Jezik</i>	205
<i>Komponente</i>	221
<i>Nepakirano Komponente</i>	221
<i>Spredaj Komponente</i>	222
<i>Komponente Notri Spredaj Pokrov</i>	223

Zadaj Komponente	224
Dotaknite se Zaslona Komponente	225
Wifi Adapter USB Port	226
Strojna oprema Nastaviti.....	227
Ethernet Kabel (Neobvezno)	227
Wifi Adapter (Neobvezno)	228
Moč, SmartDrive	228
Začeti.....	230
nalaganje Mediji.....	231
Namestitev Črnilo Kartuša	232
nalaganje Oznaka Mediji	233
Vpiši se	234
Izdelava a Uporabnik Značka	235
Sečnja V.....	235
Dotaknite se Zaslona Uporabnik Interface	238
Tiskanje a Brizga Oznaka - Osnovno Uporaba.....	238
Tiskanje a Brizga Oznaka - Napredno Operacije	241
Ujemanje Zaboju ID-ji.....	241
Preslikana Mojster ID-ji (ZDA Samo)	242
Droga Preverjanje	242
Spremljanje Stanje.....	243
Armaturna plošča Stanje Informacije	243
Sistem Informacije	243
Vzdrževanje	244
Prikaz Pripomočki Zaslona	244

<i>Obračun a Oznaka Jam</i>	246
Obračun a Oznaka Jam v <i>Spredaj Mediji Vodnik</i>	246
Obračun a Oznaka Jam v <i>Zadaj Mediji Vodnik</i>	247
<i>Namestitev Nadgradnja Paketi</i>	248
<i>Ugasniti in Moč Izklopljeno</i>	250
<i>Odpravljanje težav</i>	251

Safe Label System®

Drug Labeling Solution

EN - English

Documentation Notice

This document is part of the EU MDR requirements. The Codonics Safe Label System® Product is a Class I medical devices intended for use by Healthcare Professionals. Product packaging and labeling, including Graphic User Interface (GUI) for operation are offered in English and meet MDR, Annex I, Chapter III, 23.4, taking account the training and the knowledge of the potential user.

Web information, Key Specifications, Intended Use, User Manual Appendices, Quick Start Guide and Setup IFU (Instructions for use) are available in basic translation for Member State Languages. Primary IFU are available in English.

Codonics Products are Class I products intended for use by Healthcare Professionals. Products packaging and labeling, including Graphic User Interface (GUI) for operation are Offered in English and meet MDR, Annex I, Chapter III, 23.4, taking account the training and the knowledge of the potential user.

*Web information, Key Specifications, Intended Use, User manual Appendix, Quick Start Guide & Setup IFU are available in simple translation Member State Languages; primary IFU are available in English

Overview:

Codonics Safe Label System SLS 550i Point of Care Station (PCS) is the standard of care in the world's leading hospitals. An award-winning FDA Class II medical device, the system improves the safety and accuracy of medication management and labeling compliance anywhere medications are prepared. In the OR, SLS integrates with anesthesia medication carts to electronically identify the drug in hand. Visual and audible confirmation based on the NDC of the vial/ampoule provides clinicians with a real-time safety check that acts as a second set of eyes, helping to eliminate the most prevalent medication errors. On demand, SLS produces a ready-to-apply TJC-compliant label that includes a barcode that captures the NDC from the parenteral vial for integration at administration with Epic and Cerner. When used in conjunction with Codonics SLS-WAVE, this process electronically documents the patient record 'hands-free' to improve charge capture, billing accuracy and 340B compliance, creating standardization and enabling BCMA in the OR.

Safe Label System:

Integrates with existing workflows, adding TJC compliance and pharmacy oversight at every location where on-demand medications are prepared, such as the OR, ICU, PACU, patient floors and pharmacy

Provides clinicians with electronic medication safety checks while increasing productivity

Allows hospital-approved drugs, diluents, concentrations, and total dose/total volume preparations to be integrated with worldwide recognized best practices and international standards in a formulary managed by pharmacy and available at the fingertips of anyone preparing medications

Captures the exact NDC of the parenteral vial and carries it to the prepared label to provide 100% accurate documentation for charge capture and 340B accountability

Can be managed remotely including software updates and provides status feedback to specified users via the Administration Tool and Email Notifier (optional)

When used in conjunction with SLS-WAVE, the complete solution enables 'hands-free' integration with Epic and Cerner to maximize revenue, improve patient outcomes and clinician workflow by reducing manual clicks

Improve Patient Safety

Errors in preparation and selection as well as documentation inaccuracies occur for a number of reasons. Multiple distractions, poor handwriting and look-alike /sound-alike drugs greatly contribute to the potential for medication errors. SLS embraces the call to improve patient and medication safety by:

Reduces the most common drug errors made during the selection, preparation and administration of injectable and intravenous medications in the OR, including vial/ampoule swaps, mislabeling/illegible labeling, syringe swaps and expired syringes

Meets the ISMP and APSF recommendations that every anesthetizing location should have a mechanism to identify medications before drawing them up or administering them (barcode reader)

Automatically presents clinicians with visual and audible confirmations of each drug and concentration, incorporating electronic safety checks to remove the element of human error

Specifications

System: Integrated touch screen computer, 2D barcode scanner, color ink jet printer, audio feedback and network capable
(Ethernet standard, Wi-Fi optional)

Power: Universal Input: 100-240 VAC, 50/60 Hz

Dimensions: 10.43 " (26.5 cm) W, 15.67" (39.8 cm) D, 16.50 " (41.9 cm) H

Weight: 14.5 lbs. (6.6kg)

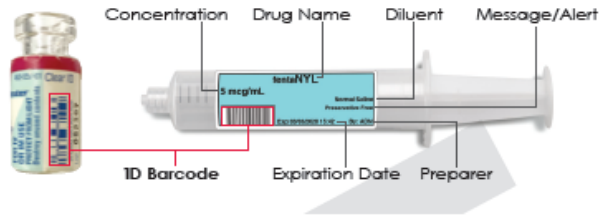
Regulatory: Full medical device compliance including Class 2 FDA and Class I MDR 2017/745/EU (CE), GMP/QSR, ISO 13485:
2016/NS-EN ISO 13485:2016, Electrical Safety IEC 60601-1 Ed. 3.1 and EMC/EMI: FCC Class A and IEC 60601-1-2: Ed. 4 for Professional Healthcare Facilities

Readable Barcodes: Code 128, GS1-128, Data Matrix, UPC-A, UPC-E, EAN-13, EAN-8, GS1 DataBar Family, Interleaved 2 of 5, ITF-14, Code 39, Code 32, ISBT 128, QR Code

Writable Barcodes: Data Matrix, EAN-13/UPC-A

Exact NDC matching vial to syringe

Captures NDC of parenteral vial, providing 100% accurate documentation for charge capture and the exact NDC for 340B accountability



Prints full-color labels that comply with The Joint Commission NPSG.03.04.01*, and meet the intent of ISO 26825, ASTM 4774 Standards & ASA Guidelines

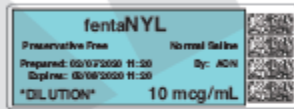
*Prints diluent and dilution if required



Shown with patient information when integrated with EMR/ADC



Shown with auxiliary barcode



60 mm x 22 mm standard size labels



Barcode for EHR/AIMS integration

SLS User Manual

Preface

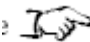
Conventions Used in This Manual

Bulleted Lists

Bullets are used to display a list of nonprocedural items. For example:
The following events trigger a synchronization of SLS data to that stored on the SmartDrive:

- Automatically every 15 minutes
- Formulary updates

Numbered Steps

The  icon indicates the beginning of a procedure. The steps in a procedure are numbered. For example:

- Open the front cover.
- Press the Ink button.

Notes

Notes contain additional information related to a topic or procedure. For example:

NOTE: The system will ensure that a test print is performed at least once a day.

Cautions and Warnings

Cautions alert you to actions or situations that could cause harm to equipment or data.

For example:

Warnings alert you to actions or situations that could result in personal injury. For example:

Important Information and Filenames

Bold type is used for emphasis, user interface object names, and paths or filenames.

For example:

- The Barcode Scanner scans drug container barcodes for identity and verification.
- Use the controls to correct the date and time, then press the OK button.

Purpose and Scope

Refer to this User's Manual for procedures on how to perform Safe Label System (SLS) user operations, including:

- Setting up the hardware and software
- Performing basic functions such as logging in and out, and configuring some System settings (for example, sound volume, brightness)
- Printing and confirming syringe labels
- Checking drug syringes by scanning their barcodes
- Maintaining the system
- Monitoring system status and troubleshooting common problems

Product Information

For technical assistance with SLS Point of Care Station, call Codonics Technical Support at the following number:

Phone: +1 440.243.1198

Toll Free: 800.444.1198 (USA only)

Technical Support is available 24/7/365. Technical Support is also available online via email and the Codonics web site:

Email: support@codonics.com

Web Sites: www.codonics.com

General product information can also be requested by sending email to:

Email: info@codonics.com

Please include your postal mailing address and telephone number in the email message.

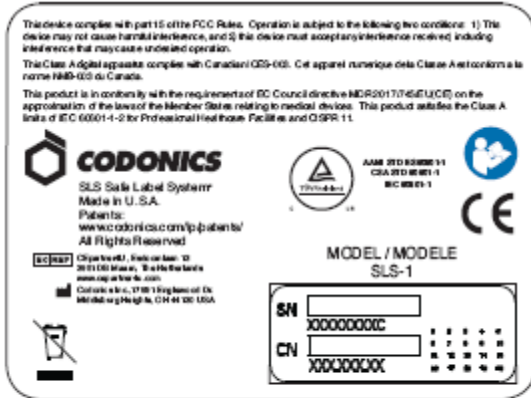
Basic product information is returned via email unless otherwise requested.

Warnings and Limitations of Use

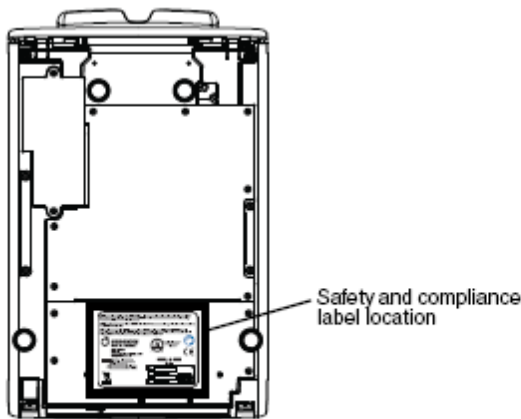
Location of Safety and Compliance Labels

Codonics is in compliance with various regulations.

The SLS PCS safety and compliance label, shown below, is located on the bottom of the device (shown on the following page).



SLS PCS safety and compliance label



SLS PCS safety and compliance label, on bottom of device

Voltage Warning

The exclamation point within a triangle is intended to alert the user to the presence of important operating and maintenance (servicing) instructions in the literature accompanying this device.



REFER SERVICING TO QUALIFIED SERVICE PERSONNEL. REMOVAL OF LABELS, COVERS, OR ENCASMENT FASTENERS MAY VOID THE WARRANTY. THIS APPARATUS MUST BE ELECTRICALLY GROUNDED. TO PREVENT FIRE OR SHOCK HAZARD, DO NOT EXPOSE THIS DEVICE TO RAIN OR MOISTURE.

EQUIPMENT IS NOT TO BE USED AS A COMPONENT OF A LIFE SUPPORT SYSTEM.

Life support devices or systems are devices or systems that support or sustain life, and whose failure to perform can be reasonably expected to result in a significant injury or death to a person. A critical component is any component of a life support device or system whose failure to perform can be reasonably expected to cause the failure of the life support device or system, or to affect its safety or effectiveness.

Laser Warning

WARNING This device emits CDRH/IEC Class 2 laser and IEC Class 1M light. Do not stare into beam.

Serial Number, Configuration, Date Code, and Modification Codes

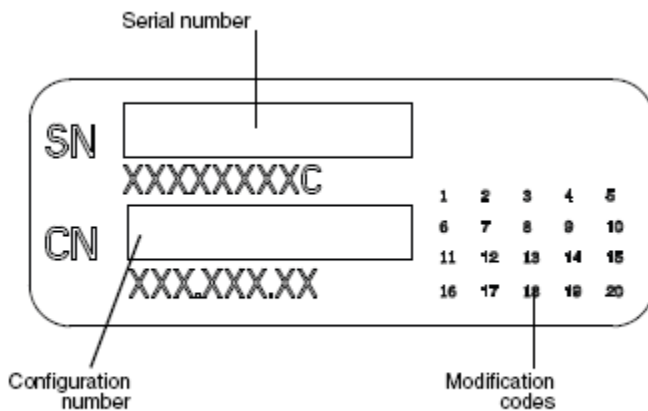
The serial number label is placed onto the safety and compliance label.

The serial number label includes the following information:

The serial number (SN), which uniquely identifies the unit.

The configuration number (CN), which details the build configuration.

The modifications codes, which are to the right of the CN number and are a series of 20 numbers. When any of these numbers are blocked out, that identifies a modification that was made to the unit.



Serial number label

Potential for Radio Frequency Interference on Device Operation

Both portable and mobile RF communications equipment can affect medical electrical equipment, including SLS PCS. SLS PCS is intended for use in the electromagnetic environment specified in the guidance and manufacturer's declaration section.

Potential for Radio and Television Interference

SLS PCS generates and uses radio frequency energy, and if not installed and used properly, that is, in strict accordance with the manufacturer's instructions, may cause interference to radio and television reception. It has been type tested and found to comply with Class A emission limits for a computing device in accordance with the specifications in Subpart J of Part 15 of FCC Rules, which are designed to provide reasonable protection against such interference when operating in a commercial environment. SLS PCS is not intended for use in a residential Class A environment. SLS PCS requires a medical power/ground. If your SLS does cause interference to radio or television reception, you are encouraged to try to correct the interference by one or more of the following measures:

- Reorient the receiving antenna
- Relocate SLS PCS with respect to the receiver

If necessary, you should consult Codonics Technical Support or an experienced radio/television technician for additional suggestions. You may find the following booklet prepared by the Federal Communications Commission helpful: *How to Identify and Resolve Radio-TV Interference Problems*. This booklet is available from the U.S. Government Printing Office, Washington, D.C. 20402, Stock No. 004-000-00345-4.

This product is in conformity with the protection requirements of EC Council directive MDR 2017/745/EU(CE) on the approximation of the laws of the Member States relating to medical devices. This product satisfies the Class A limits of IEC 60601-1-2 for Professional Healthcare Facilities and CISPR 11. A declaration of conformity with the requirements of the Directive has been signed by a Codonics vice president.

Guidance Regarding Electromagnetic Emissions and Immunity

Suitable environments are as follows:

SLS550i is intended for use in hospital and clinical environments including operating rooms and the perioperative environment.

SLS550i has not been evaluated for use near HF surgical equipment. If use near HF surgical equipment is desired, the user is responsible for verifying proper operation of the SLS550i. If SLS550i does not perform correctly in this environment, move the SLS550i farther from the source of the electromagnetic disturbance.

SLS550i has not been evaluated for use in emergency medical vehicles or in residential applications.

NOTE: The radio frequency emissions characteristics of this equipment make it suitable for use in industrial areas and hospitals (CISPR 11 class A). If it is used in a residential environment (for which CISPR 11 class B is normally required) this equipment might not offer adequate protection to radio-frequency communication services. The user might need to take mitigation measures, such as relocating or re-orienting the equipment.

As a support device, SLS550i does not provide essential performance.

WARNING Use of this equipment adjacent to or stacked with other equipment should be avoided because it could result in improper operation. If such use is necessary, this equipment and the other equipment should be observed to verify that they are operating normally.

WARNING Use of accessories, transducers and cables other than those specified or provided by the manufacturer of this equipment could result in increased electromagnetic emissions or decreased electromagnetic immunity of this equipment and result in improper operation.

WARNING Portable RF communications equipment (including peripherals such as antenna cables and external antennas) should be used no closer than 30 cm (12 inches) to any part of the SLS550i, its cables, or accessories. Otherwise, degradation of the performance of this equipment could result.

Electromagnetic Emissions Standards and Test Level

Test/Standard	Compliance
RF Emissions CISPR 11	Group 1, Class A
RF Emissions FCC Part 15	Class A
Conducted Emissions CISPR 11	Group 1, Class A
Harmonic Distortion IEC 61000-3-2	Class A
Voltage Fluctuations and Flicker IEC 61000-3-3	Complies

Electromagnetic Immunity Standards and Test Levels

Test/Standard	Compliance
Electrostatic Discharge	+8 kV contact
IEC 61000-4-2	+2 kV, +4 kV, +8 kV, +-15 kV air
Radiated RF Immunity	3 V/m
IEC 61000-4-3	80 MHz – 2.7 GHz 80% AM at 1 kHz
Proximity fields from RF wireless equipment	Complies
IEC 61000-4-3	

Test/Standard	Compliance
Electrical Fast Transient/Burst	AC Port: ± 2 kV, 100 kHz repetition frequency
IEC 61000-4-4	SIP/SOP Ports: ± 1 kV, 100 kHz repetition frequency
Surge	Line-to-Line: ± 0.5 kV, ± 1.0 kV
IEC 61000-4-5	Line-to-Ground: ± 0.5 kV, ± 1.0 kV, ± 2.0 kV
Conducted Immunity	AC Port and SIP/SOPs:
IEC 61000-4-6	3 V, 0.15 MHz – 80 MHz 6 V, in ISM bands between 0.15 MHz and 80 MHz 80% AM at 1 kHz
Magnetic Field Immunity	30 A/m, 50 Hz or 60 Hz
IEC 61000-4-8	
Voltage Dips	0% UT, 0.5 cycle at 0°, 45°, 90°, 135°, 180°, 225°, 270° and 315°
IEC 61000-4-11	0% UT, 1 cycle AND 70% UT, 25/30 cycles, Single phase: at 0°
Voltage Interruptions	0% UT, 250/300 cycle
IEC 61000-4-11	

Safety Precautions

- Never connect the device's external power supply to any outlet or power supply that has a voltage or frequency different than that specified (100 – 240 VAC, 50/60 Hz). Use only the external power supply provided with the device (Codonics part Number SLS-PS).
- When replacing the device, always power it down (refer to "Powering Off the System") and disconnect the AC power cord prior to servicing it.
- Damage to a power cord is a fire and shock hazard. When unplugging a power cord, hold it by the plug only and remove the plug carefully.
- If a power cord or external power supply needs to be replaced, replace it only with another Codonics power cord or Codonics external power supply. Alternatively, replace it with a power cord or external power supply manufactured specifically for your power configuration.

- If the device is smoking or making unusual sounds, power off and unplug the device immediately.
- Do not insert foreign objects of any kind into the device; doing so can constitute a safety hazard and cause extensive damage.
- Do not place any liquid containers on the device. If, for some reason, liquid seeps into the device, power off the device and unplug the power cord from the source outlet. If used without taking corrective measures, the device may be damaged.
- Do not expose the device to flammable gases in concentrations high enough to cause fire or explosion.

Location Precautions

- The operating ambient temperature range of SLS PCS is 15–30°C (59–86°F), with a relative humidity of 20%–80%.
- If SLS PCS is moved quickly from an extremely cold location to a warmer one, condensation is likely to form. Do not use SLS PCS if condensation has formed.
- Wait until the condensation has evaporated. You can speed up the evaporation time by moving SLS PCS to a dryer location.
- Do not place SLS PCS in a location with high humidity or high dust. Airborne dirt particles can cause print quality problems. Avoid placing SLS PCS in locations where ventilation ducts, open doors, or frequent passers-by might expose SLS PCS and labels to high levels of debris.
- Do not locate SLS PCS in hot-springs areas where hydrogen sulfide and acidic ions are likely to be generated.
- Do not locate SLS PCS where there are oily fumes and vapors.
- Do not locate SLS PCS in direct sunlight.
- Do not locate SLS PCS near sources of high RF energy.
- Do not locate SLS PCS where it might be subject to jarring or vibrations, such as a table or desk in a high-traffic area. Jarring and vibrations can affect the print quality of labels.
- If using a VESA mount to mount the device on a wall, stand, or anesthesia supply cart, refer to the VESA Mounting Interface Standard (MIS), available at www.vesa.org, for proper location and installation information.

Cleaning Precautions

To avoid damage to the device, observe the following general precautions for cleaning the device:

- Apply the cleaner to a clean, lint-free cloth first and then clean the device.
- Liquid applied directly to the device could possibly leak inside the device and cause damage. Use extra caution when cleaning around the vents on the back of the touchscreen and speaker.
- Allow the device to completely dry before operating it again.
- Many plastic components are used in SLS PCS construction. Coat flecking and deformation is likely to occur if the device is wiped with chemical dusters, benzene, thinners, insecticides, or other solvents. Rubber and PVC materials left in contact with

SLS PCS for extended periods of time will cause damage. Never use petroleum-based solutions or abrasive cleansers.

- **Never use abrasive material.**
- **Always dilute cleaning agents according to the manufacturer's instructions, or use the lowest possible concentration.**
- **Do not allow the cleaning agent to remain on the device surfaces. Wipe it off immediately with a lint-free cloth moistened with water.**

For cleaning instructions, refer to "Cleaning the Enclosure".

It is recommended that you disinfect the product only when necessary as determined by your hospital's policy, to avoid long-term damage to the product.

The device must be cleaned first, as described in "Cleaning the Enclosure", before using a general disinfecting agent.

Cleaning the Enclosure

WARNING Always power off the system before cleaning. An electrical shock could occur if the system is powered on and liquid is spilled into it.

To clean the system's enclosure, use a clean, lint-free cloth moistened with either warm water and mild soap, a diluted non-caustic detergent, or one of the following approved cleaning agents:

Ammonia: Dilution of Ammonia <3%
Alcohol: Ethanol 70%, Isopropanol 70%.

- **Over time, ink overspray might gather at the base of the device. The device uses a vacuum system to gather most of this ink on a series of saturation pads.**
- **Eventually, these pads might need to be replaced. Contact Codonics Technical Support to determine if pad replacement is necessary.**
- **If ink has gotten onto the system's enclosure, it can be cleaned with an ammonia based window cleaner and a lint-free cloth.**
- **If scanning barcodes is inconsistent or the device is having difficulty scanning, clean the scanner's glass window.**

Disinfecting the Enclosure

Recommended disinfecting agents include:

1 part household bleach and 5 parts water solution
A-456-N

Virex II 256
PDI Sani-Cloth®

WARNING Codonics makes no claims regarding the efficacy of the listed chemicals or methods as a means of controlling infection. Consult your hospital's infection control officer or epidemiologist.

Disinfecting Precautions

To avoid damage to the device, observe the following general precautions for disinfecting the device:

- **Do not use Povodine, Sagrotan, or Mucocit disinfecting agents or strong solvents (for example, acetone).**
- **Do not use any disinfecting agents that corrode or damage polycarbonate.**

Media Precautions

- **Unwanted labels should be destroyed or disposed of to ensure that improper labels are not used.**
- **Only use Codonics ink cartridges and labels to ensure proper operation of the device and proper labeling of syringes. Using unapproved ink cartridges and labels could lead to unacceptable results, including poor print quality and poor label adhesion to syringes.**
- **Damage from unapproved ink or labels will void the warranty.**
- **Never refill ink cartridges, as this can result in incorrect color usage.**

Disposal Requirements

Disposal of this product and consumables shall be in accordance with all applicable laws and regulations in effect at the locality at the time of disposal. For additional information, refer Hazardous Material Information.

European Disposal Requirements

Codonics imagers and electronic accessory devices are not to be discarded or recycled; rather they are to be returned to the manufacturer. Contact Codonics directly or by the link provided for the latest information concerning:

Identification of the country-specific Importer/Distributor/Producer
Product return and treatment of our electronic products

Manufacturer: Codonics Inc.
17991 Englewood Drive
Middleburg Heights, OH 44130 USA
Phone: +1 440.243.1198
Fax: +1 440.243.1334
E-mail: WEEE@codonics.com

www.codonics.com

Codonics electronic products and accessories bearing the following symbol are subject to European Directive on Waste Electrical and Electronic Equipment (WEEE) 2002/96/EC, amended by Directive 2003/108/EC. The EN 50419 symbol indicates separate collection and return required.



EN 50419 symbol

Indications for Use

Device Description

Drug preparation and administration in the perioperative environment are integral aspects of anesthesiologist's patient care responsibilities. The Codonics Safe Label System (SLS) is a simple, integrated system utilizing a barcode scanner to read and confirm drug identity from FDA NDC (National Drug Code) and other drug ID Barcodes from drug containers and automatically print labels for prepared drugs and other items in use on patients during surgical procedures. The labels are compliant with national regulations focused on improving medication safety in the perioperative environment.

The software components provide functions for scanning container barcodes; creating, reviewing, and approving the hospital-managed promotion of a formulary database; displaying on-screen and audibly confirming drug type; and printing ISO, ASTM, and TJC (The Joint Commission) content- and color-compliant labels with 1D and/or 2D barcodes. The system reads drug container barcodes and produces water resistant, color labels. The system can be integrated to function with an Anesthesia Information Management System (AIMS) workflow to provide real-time documentation of drug administration when the syringe 1D or 2D barcode is read. The system can be accessed and managed via a network (Ethernet or Wi-Fi).

Device Characteristics

The use of drug class specific pattern and color per ASTM D4774 and ISO 28625 Specifications for User Applied Drug Labels in Anesthesiology is configurable by site and dataset. *Formularies* (datasets) are uniquely named configurations that may differ in drugs, colors, dilutions, and comments to accommodate different practices within a

single site or hospital (for example, pediatric versus cardiac).

Additional uses include producing labels for IVs and other artifacts used during a surgical procedure.

The Codonics SLS is generally placed in, however not limited to, the perioperative environment to identify syringes prepared for anesthesiology use during surgery.

Typical users of this system are trained professionals, including but not limited to physicians, nurses, and technicians.

The major characteristics and functions of the family of devices include:

- **Scanning the drug container barcode directly from a vial or other type of container**
- **Decoding the manufacturer-issued barcode into the required FDA National Drug Code (NDC) or Unique Drug Identifier (UDI) number**
- **Referring the NDC/UDI number to a site-managed formulary lookup database**
- **Providing audio and ISO-compliant visual “readback” of the drug name**
- **Providing an alert if the drug container is listed as “recalled/obsolete” in the site’s formulary**
- **Printing an easy-to-read, water resistant ISO 26825 compliant color label meeting The Joint Commission medication management standards and the American Society of Anesthesiologists guidelines for labeling**
- **Providing the basic information by which the printed label barcode can be read to document medication administration in an AIMS**
- **Printing labels with insertion and expiration date and time for IV lines**

Device Indications for Use Statement: Prescription Use Device

The Codonics SLS PCS device and SLS software provides a simple computer-based barcode scanning and printing system to automatically verify drug identity from NDC and other drug container UDI barcodes, and to print labels for prepared drugs and other items in use on patients during surgical procedures.

The Codonics SLS PCS is generally placed in, however not limited to, the perioperative environment to identify syringes prepared for anesthesiology use during surgery. Additional uses include producing labels for IVs and other artifacts used during a surgical procedure. SLS PCS can also be used to print “non-surgical environment” color and text labels as required. Typical users of this system are trained professionals, including but not limited to physicians, nurses, and technicians.

CAUTION Federal law restricts this device to be sold for use by or on the order of a physician.

Hazardous Material Information

Materials of Construction

Codonics has set very stringent standards for evaluating products to ensure the marketing of regulatory compliant products worldwide.

We do not intentionally add, nor are we aware, that the products or packaging contain the following materials:

- **Mercury, except as used in lamp applications (for example, scanning lamps, backlit LCDs).**
- **Cadmium, except as used as thick film inks on printed circuit boards.**
- **Hexavalent Chromium, except as used as thick film inks on printed circuit boards, as chromate conversion coatings on metal surfaces, and as a photoresist on glass panels of cathode ray tubes.**
- **Polybrominated diphenyl ethers and polybrominated biphenyls.**
- **Bioavailable arsenic (small amounts of arsenic used in glass, LEDs, and semiconductors are not considered to be bioavailable).**
- **Bioavailable crystalline silica (small amounts of crystalline silica are used in Certain paints, coatings, and filler materials).**
- **Polychlorinated biphenyls (PCBs).**
- **Asbestos.**
- **Organic tin (not used in tin lead solder applications).**
- **Ozone-depleting substances such as chlorofluorocarbons, methyl chloroform, and carbon tetrachloride.**

Manufacturing

During manufacturing operations that produce Codonics products (including packaging), no ozone depleting substances (such as chlorofluorocarbons, methyl chloroform, and carbon tetrachloride) are used.

Specifications

System: Integrated capacitive touch screen computer, 2D barcode scanner, color ink jet printer, audio feedback, and provision for a network interface

Ink Cartridges: One color cartridge (CMY)

SmartDrive: USB flash drive for storing configuration data, formulary database, log files

Readable Barcodes: GS1 DataBar Limited (RSS Limited), GS1 DataBar Stacked (RSS-14 Stacked), GS1-128,

UPC-A, Data Matrix, Code 128, Code 128 barcodes with GS1-128, Code 39, Code 32,

IFT-14, Interleaved 2 of 5, EAN-8, EAN-13

Writable Barcodes: Data Matrix

Network Interfaces: Ethernet (RJ-45), included standard

Wi-Fi (USB-2 adapter), optional, available from Codonics

Network Speeds: Ethernet, full duplex 100 Base-T only

Wi-Fi, 802.11 b/g/n (2.4 GHz) and 802.11 a/n/ac (5.0 GHz)

Network Protocols: SSH (Secure Shell) and SCP (Secure Copy)

Used to access SLS PCS from Codonics-authorized applications

Dimensions: Height: 16.5 in. (41.9 cm)

Width: 10.43 in. (26.5 cm)
Depth: 15.67 in. (39.8 cm)
Weight: 14.5 lbs (6.6 kg)

Power: Universal Input: 100-240 VAC, 50/60 Hz

Environmental: *Operating:*

Temperature: 15–30°C (59–86°F)

Humidity: 20%–80% noncondensing

Shipping and Storage:

Altitude: Sea Level to 5790 m

Temperature (Hardware): -22.2–51°C (-8–123.8°F)

Temperature (Ink Cartridge and Label Media): 1–43°C (34–110°F)

Humidity (Hardware): 5%–85% noncondensing

Humidity (Ink Cartridge and Label Media): 5%–80% noncondensing

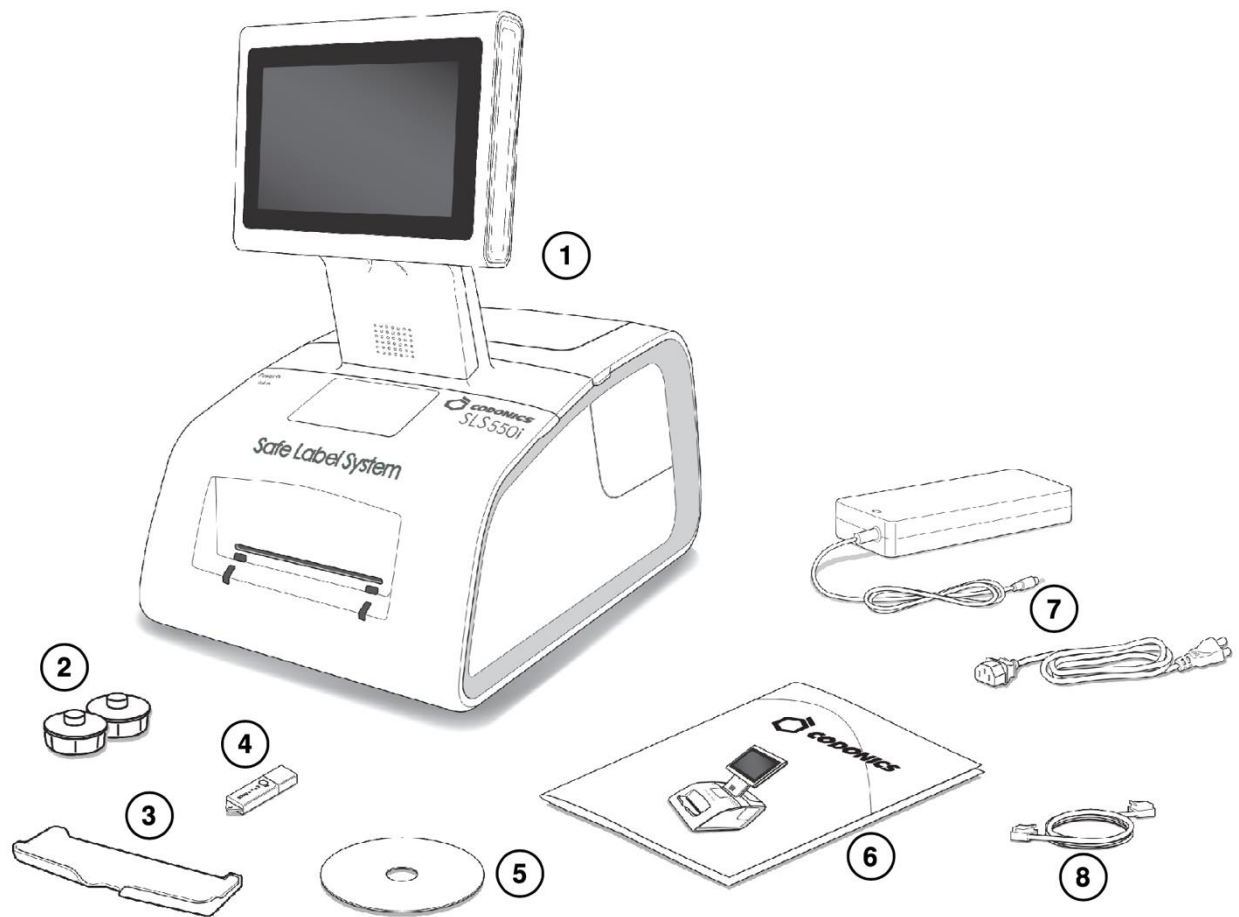
Medical Compliance FDA cleared to market per 510(k) K101439 Class II, MDR CE (Class I),
and Regulatory: GMP/QSR ISO 13485:2016, Safety IEC 60601-1 and EMC IEC 60601-1-2 for Professional
Healthcare facilities

Classification: Class II equipment, Product Code BSZ, Regulation Number 868.5160

CAUTION Federal law restricts this device to be sold for use by or on the order of a physician

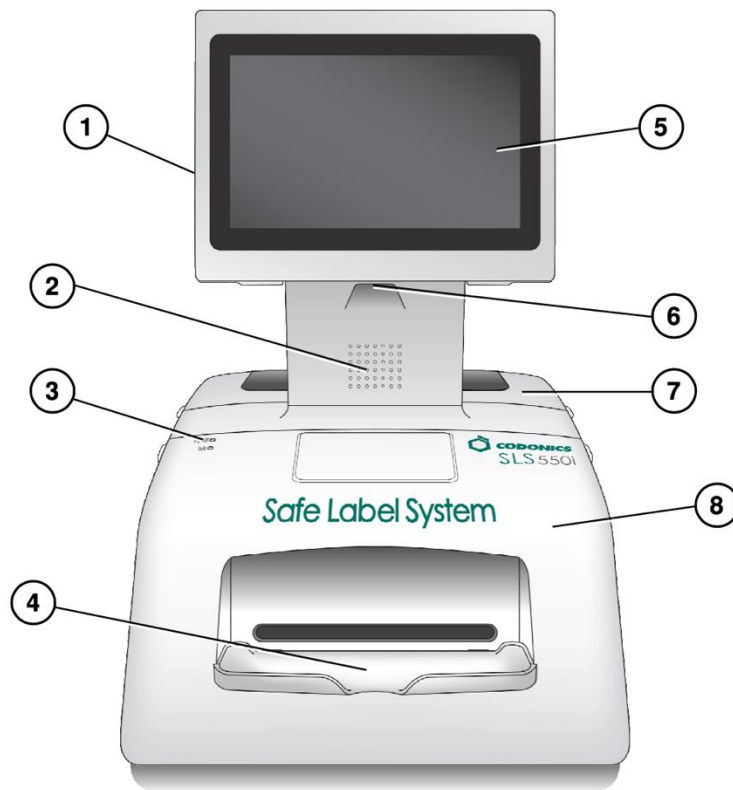
Components

Unpacked Components



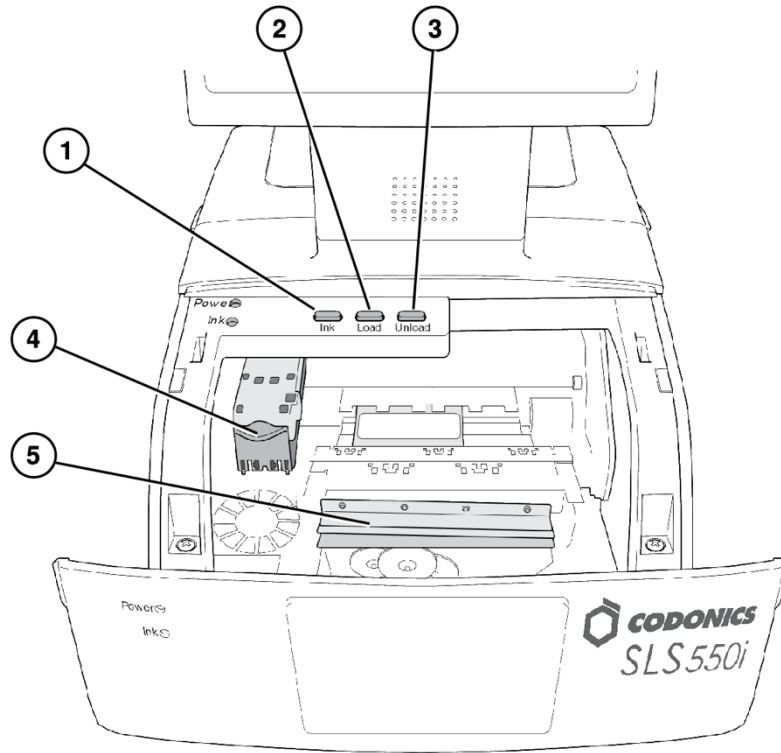
1. Safe Label System
2. Label media hubs
3. Output bin
4. SmartDrive
5. User's Manual disc
6. Reference guide and other documentation
7. External power supply and cord
8. Ethernet cable

Front Components



1. Touch screen USB port 1
2. Audio speaker
3. System power LED
4. Output bin (installed)
5. Touch screen
6. Barcode scanner
7. Rear cover
8. Front cover

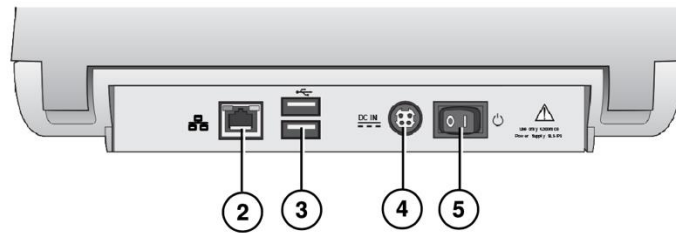
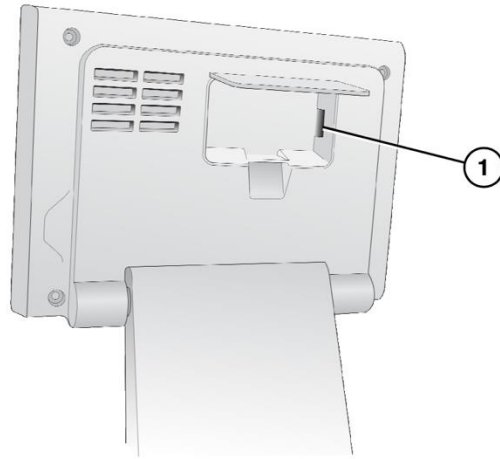
Components Inside Front Cover



- 1. Ink button
- 2. Load button
- 3. Unload button
- 4. Ink cartridge carriage
- 5. Label cutter

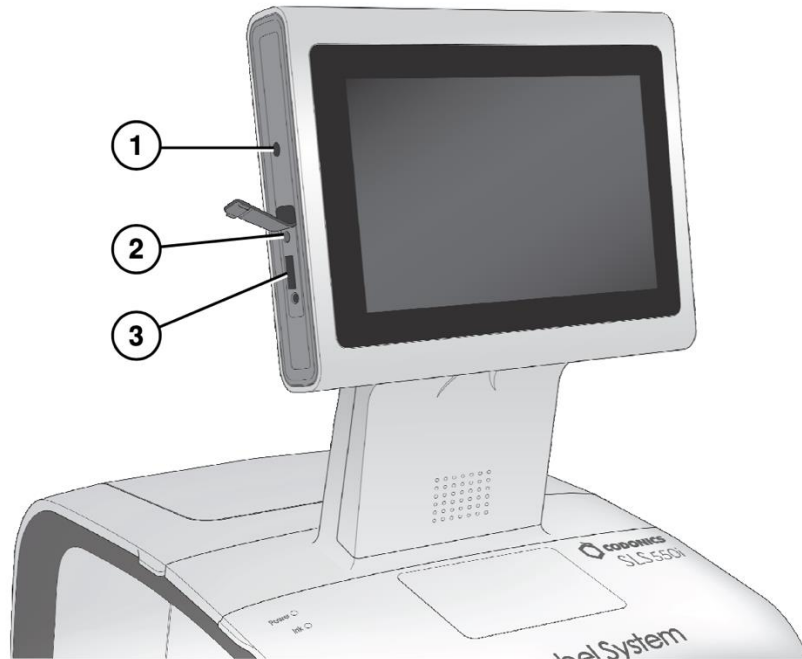
WARNING: When the front cover is open, avoid contact with the label cutter.

Rear Components



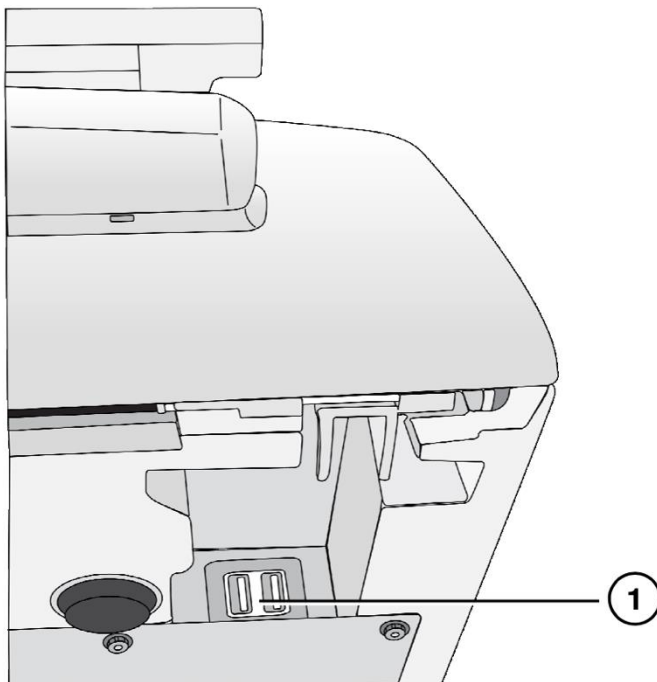
1. SmartDrive USB port 2
2. Ethernet port
3. USB ports
4. Power input port
5. Power switch

Touch Screen Components



- 1. Power LED
- 2. Reset button
- 3. USB port

Wi-Fi Adapter USB Port

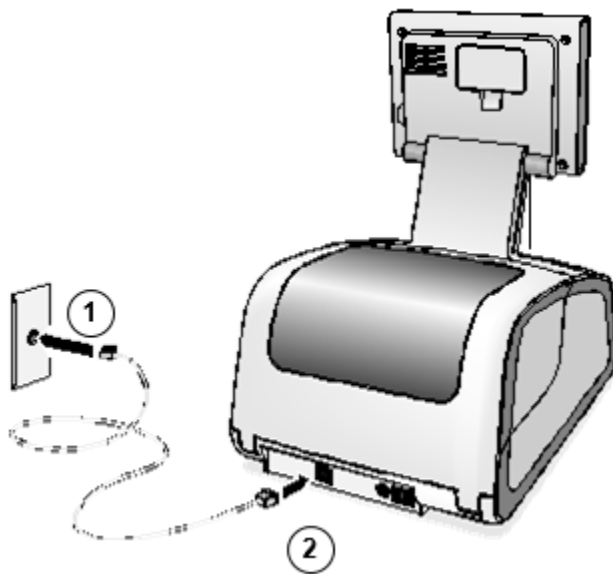


- 1. USB port for Wi-Fi adapter (bottom front right corner of the SLS)

Hardware Setup

CAUTION: Only trained users should install and configure the system.

Ethernet Cable (Optional)

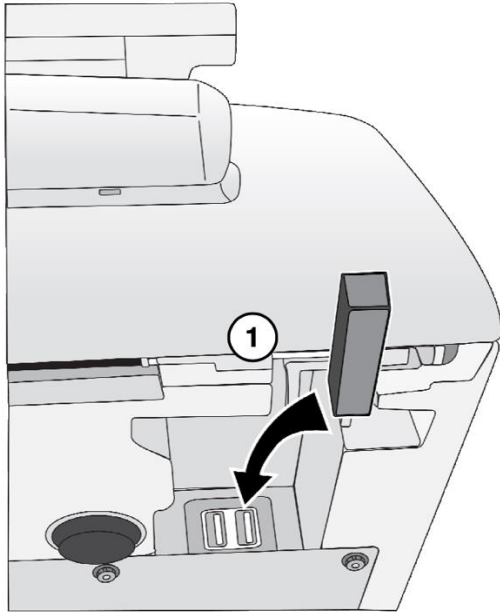


1. Connect the Ethernet cable to a hub or outlet that is connected to the network.
2. Connect the other end of the Ethernet cable to the SLS.

NOTE: For information about configuring SLS Ethernet network settings, refer to the SLS User's Manual v1.3.0.

CAUTION: The SLS supports only one network connection at a time, either Ethernet or Wi-Fi. Do not connect both an Ethernet cable and the Wi-Fi adapter at the same time.

Wi-Fi Adapter (Optional)



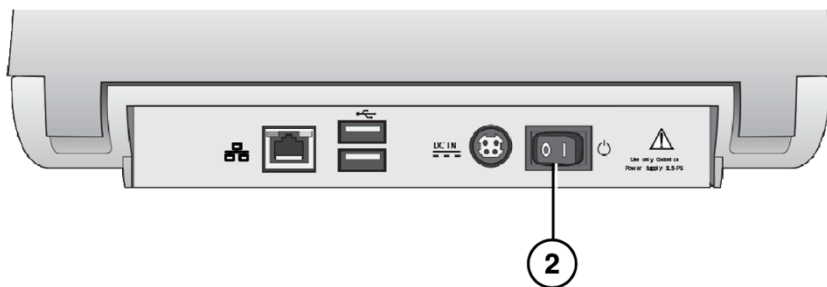
1. Insert the Wi-Fi adapter into the USB port at the bottom front right corner of the SLS.

NOTE: For information about configuring SLS Wi-Fi network settings, refer to the SLS User's Manual v1.3.0.

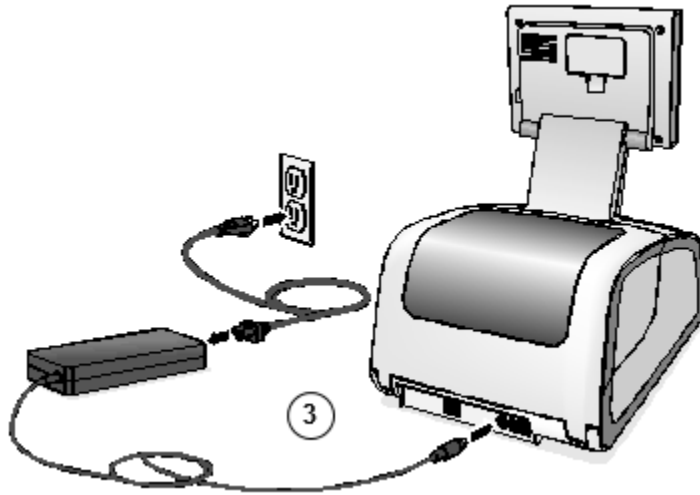
CAUTION: The SLS supports only one network connection at a time, either Ethernet or Wi-Fi. Do not connect both an Ethernet cable and the Wi-Fi adapter at the same time.

Power, SmartDrive

1. Place the SLS on a solid level surface.



2. Turn the Power switch to off.



3. Connect the external power supply.



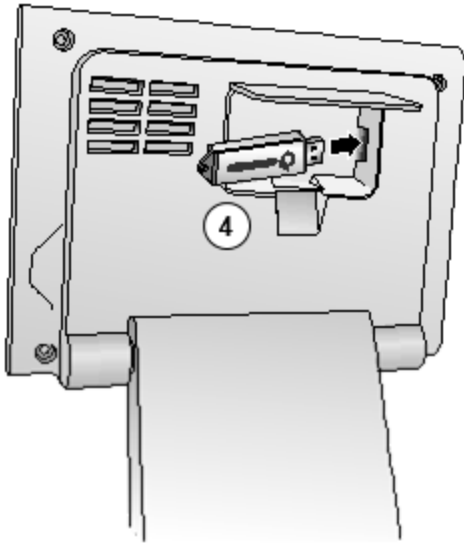
WARNING: The power cord connected to the SLS is the main disconnect for the system.



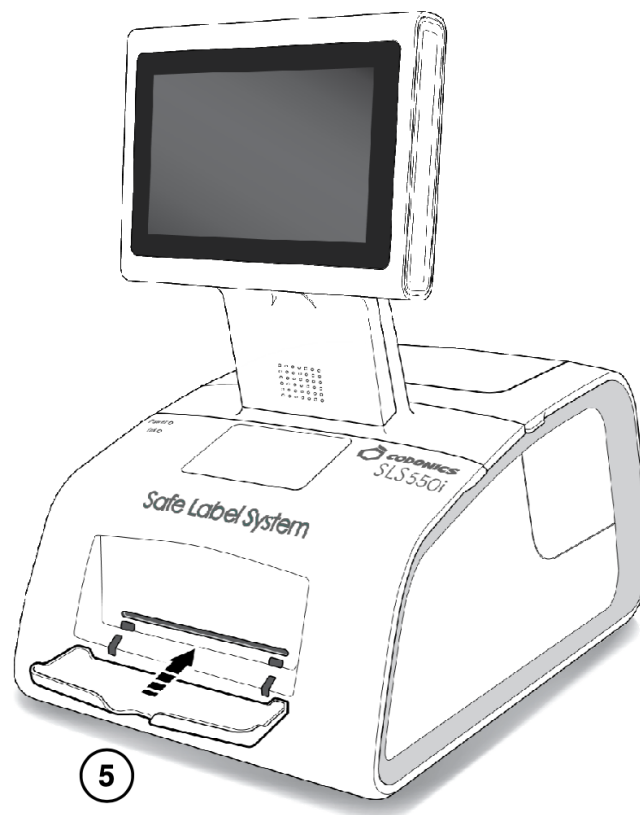
WARNING: Grounding reliability can be achieved only when the SLS is connected to a receptacle marked “Hospital Only” (that is, “Hospital Grade”).



WARNING: Do not touch a patient while also accessing SLS internal components that are under the access covers.

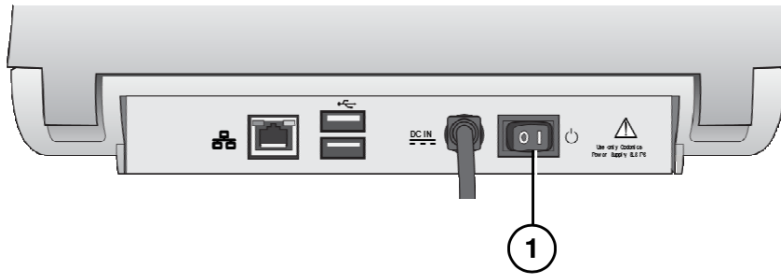


4. Insert the SmartDrive.

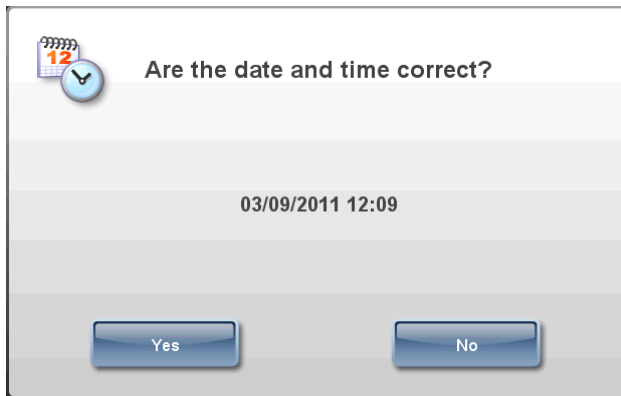


5. Insert the output bin.

Startup

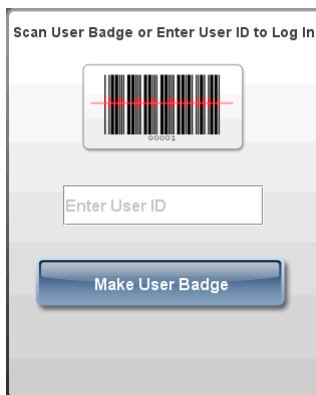


1. Turn on the Power switch.



2. Confirm or adjust the date and time.

3. The login prompt displays.



Loading Media

NOTE: Use only Codonics-supplied media.

To order media, contact Codonics Customer Service at:

Phone: +1.440.243.1198

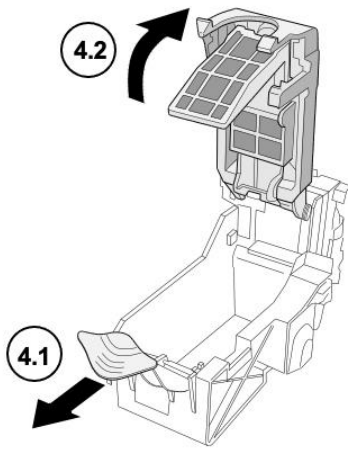
Fax: +1.440.243.1334
Toll Free: 800.444.1198 (USA only)
Web Site: www.codonics.com

Installing the Ink Cartridge

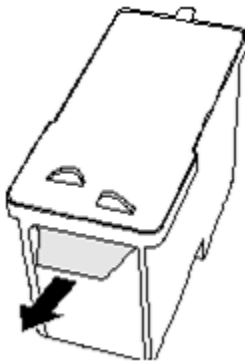
1. Open the front cover.



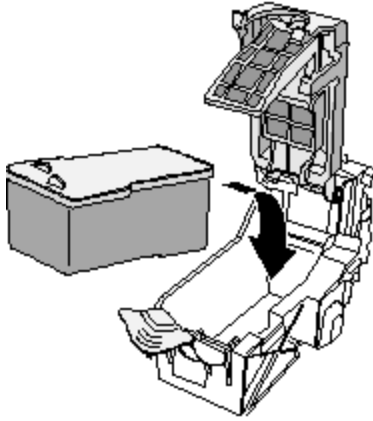
2. Press the Ink button.
3. Wait for the ink cartridge carriage to finish moving.



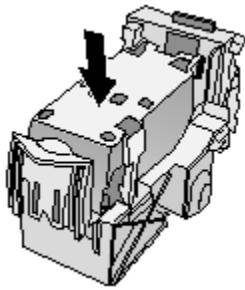
4. Open the ink cartridge carriage.



5. Remove the tape that covers the ink cartridge print head.



6. Install the ink cartridge.



7. Close the ink cartridge carriage.

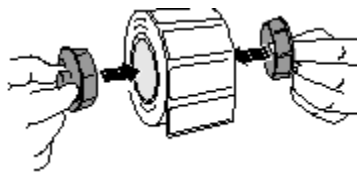


8. Press the Ink button.

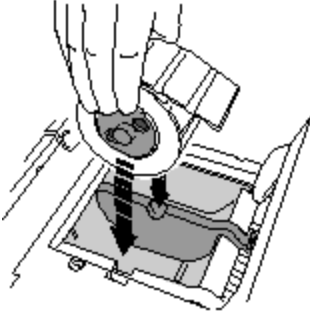
9. Close the front cover.

Loading Label Media

1. **Open the rear cover.**

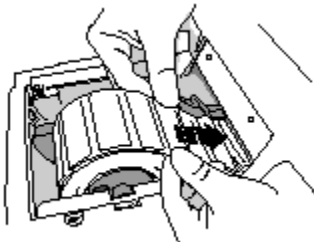


2. **Insert the label media hubs.**

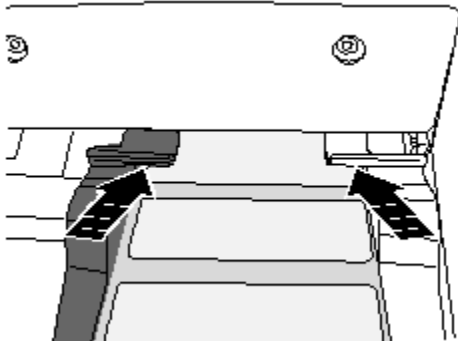


3. Place the label media and hubs in the media guides.

4. Adjust the media guides. Label media should be secure but still able to turn freely.



5. Place the label media below the media guides and into the feeder slot.



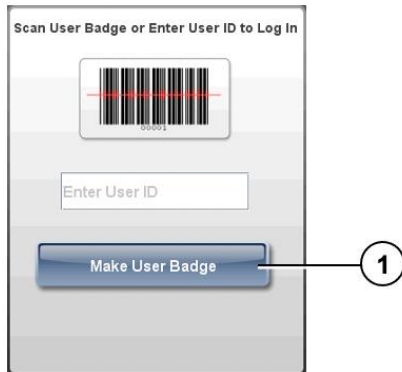
6. Feed the label media until the SLS automatically feeds it through the media path. You might need to hold the label media in place for a few seconds.

NOTE: If the SLS fails to feed the label media, open the front cover, press the Unload button, remove the media from the media path, wait until the media path rollers stop spinning, and try loading the media again.

7. Close the rear cover.

Login

Making a User Badge



1. At the Login prompt, press the Make User Badge button.



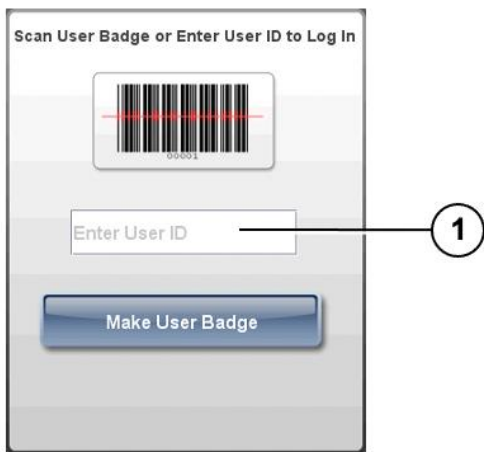
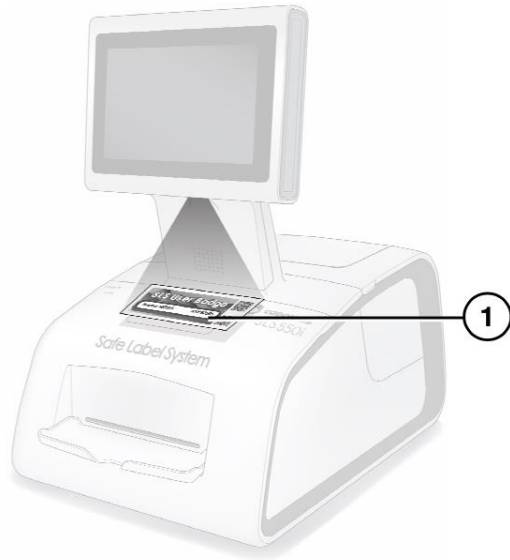
2. Enter your user information.

NOTE: The Employee ID must be unique among the SLS users.

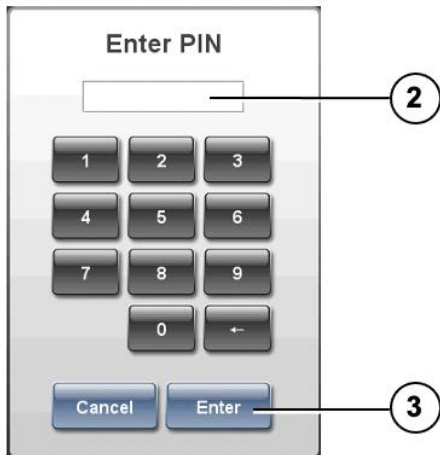
NOTE: The PIN can be up to ten digits long. If the system is not configured to require a PIN, then you will not be prompted to enter a PIN.

3. Press the Print button.

Logging In



1. At the Login prompt, scan your user badge barcode or manually enter your user ID.

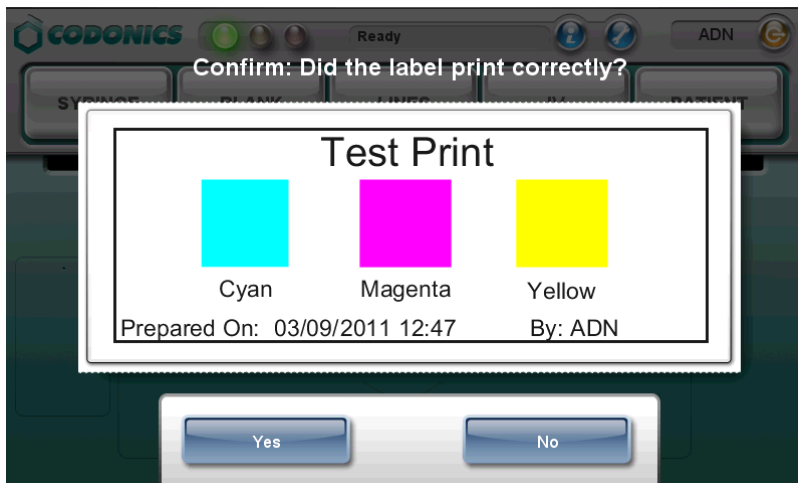


2. If the system is configured to require a PIN, enter your PIN.

NOTE: The PIN can be up to ten digits long.

3. Press the Enter button.

If a test label is printed, you are prompted to confirm that the test label printed correctly.

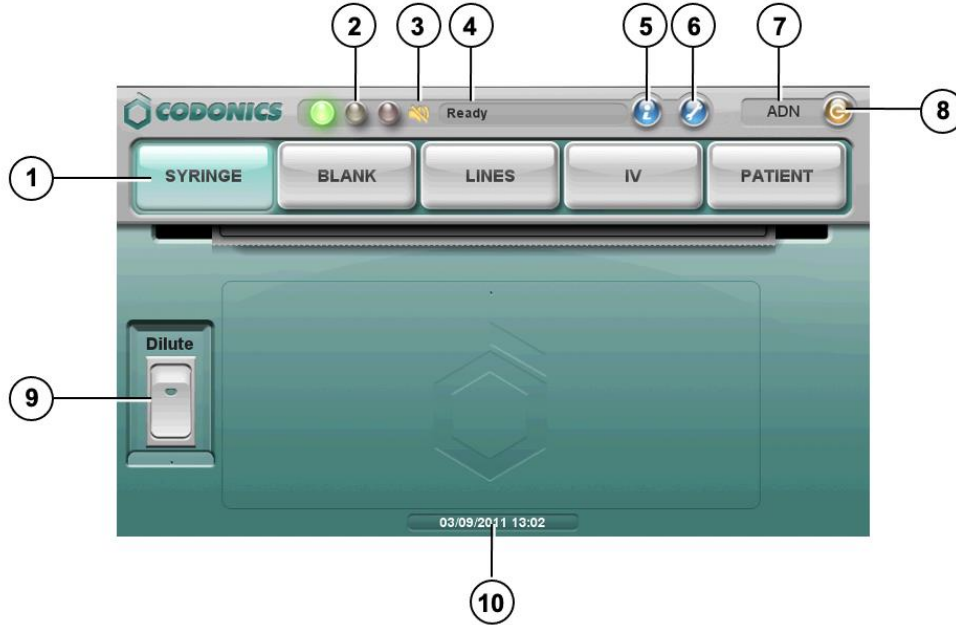


4. Inspect the test label.

5. If the test label printed correctly, press the Yes button. The system is ready for use.

If the test label did not print correctly, press the No button. Follow the on-screen instructions.

Touch Screen User Interface



1. Label type buttons
2. LED status indicators
3. Volume Muted icon
4. System status message
5. System information button
6. Utilities button
7. User initials
8. Logout button
9. Dilute switch
10. Current date and time

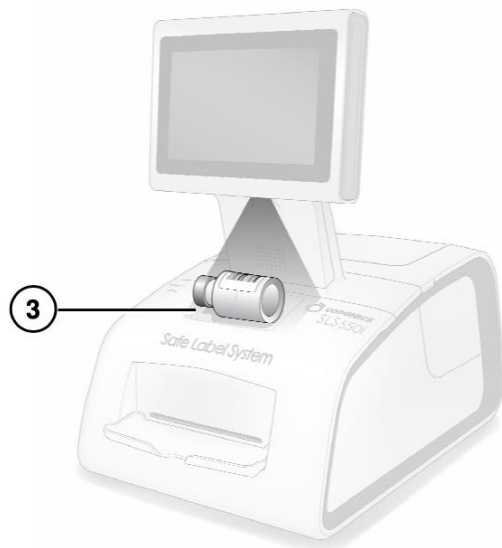
Printing a Syringe Label — Basic Use

CAUTION: The formulary used on the SLS should be one that was created by the system administrator and approved for use.

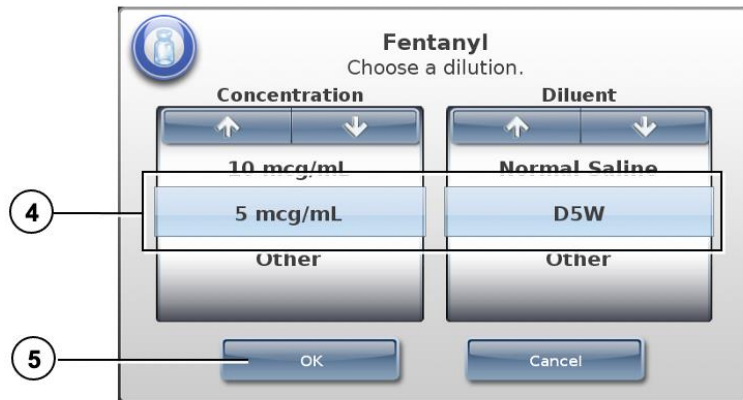


1. Press the Syringe label button.

2. To include dilution information, press the Dilute switch to turn it on.



3. Scan the drug container barcode.



4. If the Choose a Dilution prompt displays, select a concentration and diluent.

WARNING: SLS users are responsible for calculating and selecting the correct concentration and diluent.

5. Press the OK button.

If the system is configured to require confirmation before printing the label, a confirmation prompt displays.



NOTE: The label confirmation prompt is displayed for safety reasons to ensure that the correct drug information is being printed.

6. Press the Print button to confirm and print the label.

7. Retrieve the printed label from the output bin.

If the system is configured to require confirmation after printing the label, a confirmation prompt displays.



NOTE: The label confirmation prompt is displayed for safety reasons to ensure that the label has been printed correctly.

8. After reviewing the label and the screen display, perform one of the following steps:

- **Scan the barcode on the printed label. If the barcode is correct, the system indicates this and the procedure is complete.**
- **If you can see that the label did not print correctly, press the No button. Follow the on-screen instructions.**
- **If you are not able to scan the barcode, press the Unable to Scan button. Follow the on-screen instructions.**

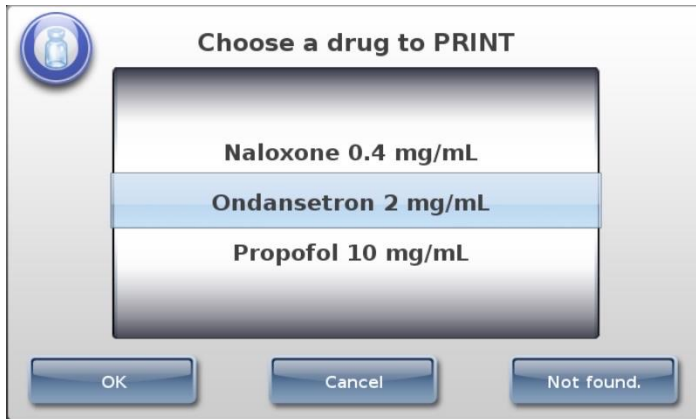
WARNING: To avoid mislabeling syringes, make sure that you immediately affix the correct label to the appropriate syringe.

WARNING: Incorrect syringe labels should be destroyed or disposed of to ensure that they are not used.

Printing a Syringe Label — Advanced Operations

Matching Container IDs

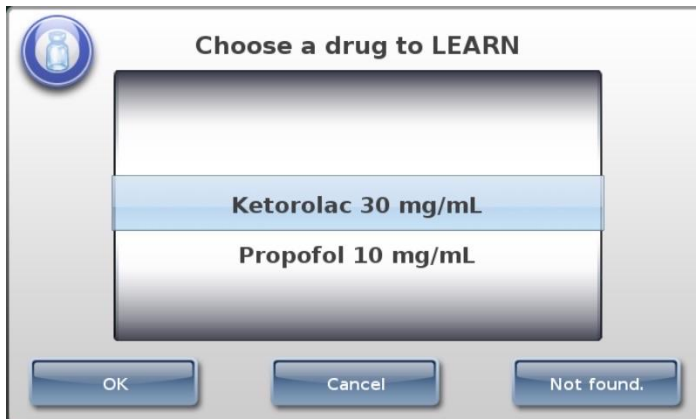
After scanning the drug container barcode, if there are multiple matching drugs with the same Container ID, they are displayed.



- If the correct drug is displayed, select it and then press the OK button.
- If the correct drug is not displayed, press the Not Found button. The procedure ends. Contact your SLS system administrator or Codonics Technical Support (+1.440.243.1198).
- To cancel the operation, press the Cancel button.

Mapped Master IDs (USA Only)

After scanning the drug container barcode, if the Container ID that was scanned can be mapped to more than one Master ID, those drugs are displayed.

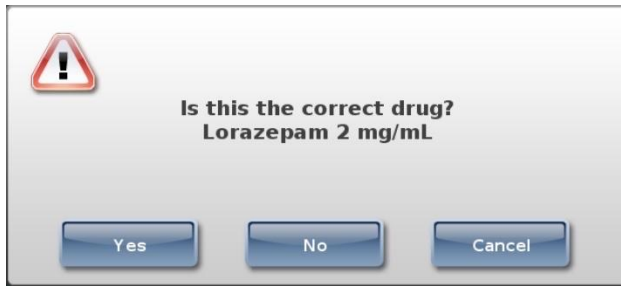


- If the correct drug is displayed, select it and then press the OK button.
- If the correct drug is not found, press the Not Found button. The procedure ends. Contact your SLS system administrator or Codonics Technical Support (+1.440.243.1198).
- To cancel the operation, press the Cancel button.

Drug Verification

If the drug has not been previously verified to ensure that the drug container information is the same as the drug information in the formulary, a verification prompt displays.

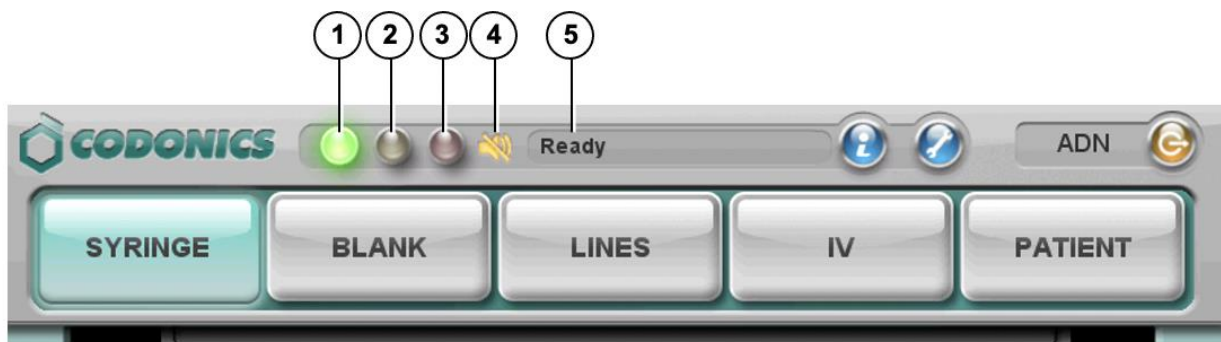
NOTE: The verification prompt only occurs once for each drug, when its container barcode is scanned for the first time.



- If the drug information is correct, press the Yes button. You are prompted again to confirm that the drug information is correct.
- If the drug information is not correct, press the No button. You are prompted again to confirm that the drug information is incorrect.
- To cancel the operation, press the Cancel button.

Monitoring Status

Dashboard Status Information



1. Normal: The system is ready to process or is processing a job (for example, printing).
2. Alert condition: The system can still process jobs but requires user attention (for example, low ink).
3. Critical or fault condition: The system might not be able to process jobs. The system requires immediate user attention (for example, out of label media).
4. Muted icon: Displays when the volume is muted.
5. Status messages.

System Information



1. Press the System Information icon.



2. Press the tabs to view additional information.

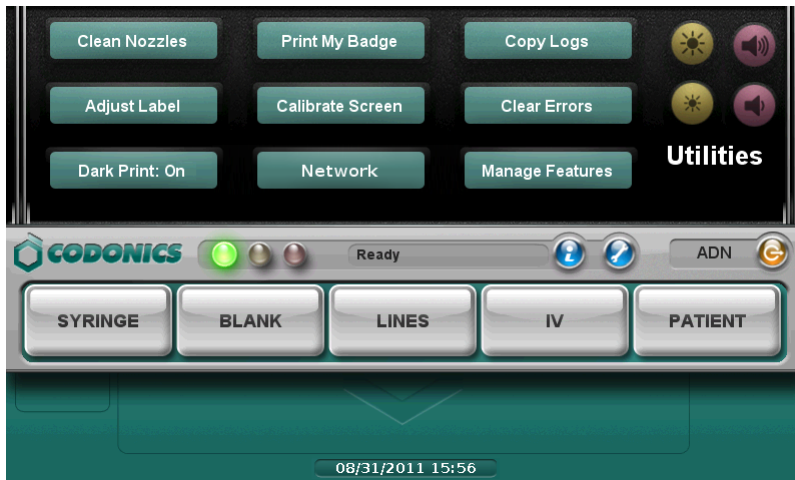
Maintenance

Displaying the Utilities Screen



1. Press the Utilities button.

The Utilities screen displays. The buttons are described in the table below.



2. To close the Utilities screen, press the Utilities button again.

Clean Nozzles

Cleans the ink cartridge nozzles

Adjust Label

Allows you to adjust the label media path to ensure that label content is properly centered on the label.

Dark Print: Off / On

Sets dark printing of black text to off or on.

Print My Badge

Prints a user badge for the user who is currently logged in.

Calibrate Screen

Calibrates the touch screen.

Network

Allows you to configure the network settings.

Copy Logs

Copies system logs to a USB flash drive that is inserted in the touch screen USB port 1.

Clear Errors

Clears system errors. This setting should only be used by system administrators after the errors are carefully reviewed.

Manage Features

Allows you to add SLS features.



Adjusts the touch screen brightness.



Adjusts the audio volume.

Clearing a Label Jam

1. Remove your gloves.
2. Open the front and rear covers.
3. Identify the location of the jammed media and use the appropriate procedure below.

Clearing a Label Jam in the Front Media Guide

1. Gently remove the label media from under the front guide by pulling up the label media near the ink carriage.

CAUTION: Avoid peeling up a label in the media path. You might have to pull the media forward through the cutter to avoid peeling a label. If a label is peeled up in the media path, do not press the adhesive side of the label against the sheet metal guides.

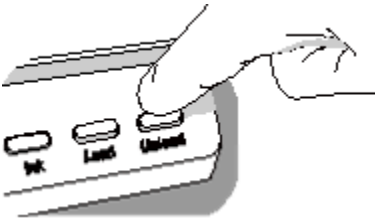
2. Use scissors to cut the liner between two labels by the ink carriage to allow you to remove the jammed label media.



If required, press the Load button to advance the label media.

NOTE: Scissors are recommended for cutting the liner so that the label media will have a straight edge. The straight edge will make loading the label media easier.

3. Gently remove the jammed portion of the label media.
4. Review the strip of labels. Make sure that you can account for all of the labels and that no labels are stuck in the front media guide. Discard the damaged label media.
5. If portions of the label media are still jammed in the media path, power off the system (refer to “Shutdown and Power Off”). Use non-metallic tweezers and carefully remove any additional label media from the media path.



6. Press the Unload button to reverse any portion of the label media that is still in the media path.
7. Inspect the label media. Use scissors to cut off any damaged labels.
8. Close the front cover, load the label media, and close the rear cover.

Clearing a Label Jam in the Rear Media Guide

1. Identify the location of the jammed media under the rear media guide.

The rear media path can be exposed by using the thumb screws to remove the rear media guide cover.

2. Use scissors to cut the liner between two labels by the ink carriage. This will reduce the number of labels being pulled back through the media path.
3. Gently remove the cut portion of the label media from the front media guide and discard it.
4. Use scissors to cut the liner between the jammed portion of the label media and the label media roll.

NOTE: Scissors are recommended for cutting the liner so that the label media will have a straight edge. The straight edge will make loading the label media easier.

5. Gently remove the jammed portion of the label media.

CAUTION: Avoid peeling up a label in the media path. If a label is peeled up in the media path, do not press the adhesive side of the label against the sheet metal guides.

6. Review the strip of labels. Make sure that you can account for all of the labels and that no labels are stuck in the rear media guide. Discard the damaged label media.

7. If portions of the label media are still jammed in the media path, power off the system (refer to “Shutdown and Power Off”). Use non-metallic tweezers and carefully remove any additional label media from the media path.



8. Press the Unload button to reverse any portion of the label media that is still in the media path.
9. Inspect the label media. Use scissors to cut off any damaged labels.
10. Close the front cover, load the label media, and close the rear cover.

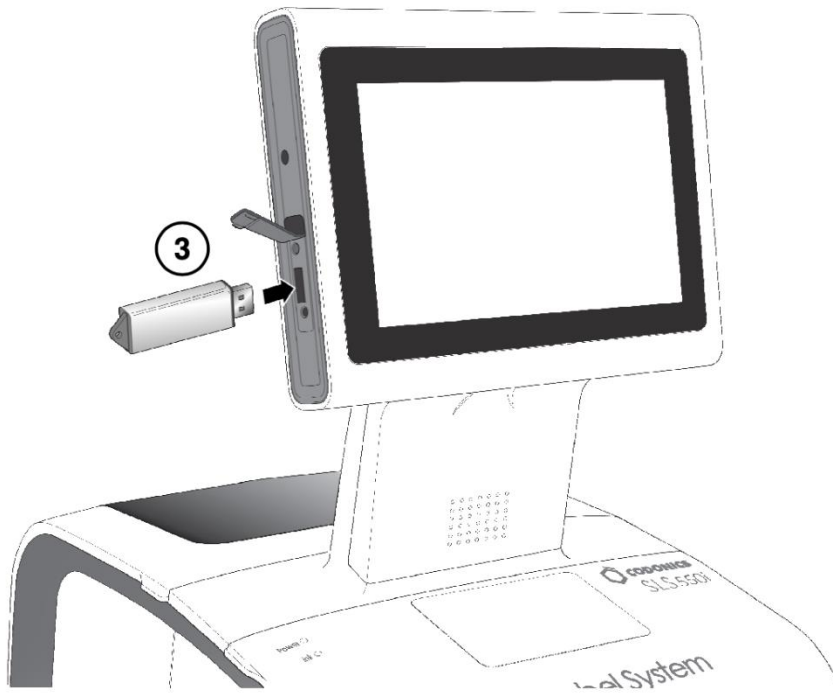
Installing Update Packages

Use this procedure to manually install formulary update packages and configuration update packages.

NOTE: Formulary and configuration update packages can also be installed remotely using the Administration Tool. For more information, refer to the *SLS Administration Tool User's Manual v1.3.0*.

CAUTION: Installing system software should only be performed as directed by Codonics Technical Support. Do not attempt to install system software without the assistance of Codonics Technical Support.

1. Log in.
2. Make sure that the SLS is not processing any print jobs or utilities.



3. Insert the USB flash drive on which the update package or software is installed.

You are prompted to confirm the installation.

4. Press the Yes button to continue.

5. When the installation files have been copied, remove the USB flash drive.

When the installation is complete, the system restarts automatically.

CAUTION: The SLS customer is responsible for ensuring that the correct formulary and configuration packages are being installed on the SLS.

CAUTION: Practice standard information technology (IT) precautions to protect data associated with the formulary (for example, securing the content of the USB flash drive on which the formulary update package is stored).

CAUTION: The SLS customer is responsible for the accuracy of the data in the formulary, including drug data that has been copied from third-party drug databases.

Shutdown and Power Off

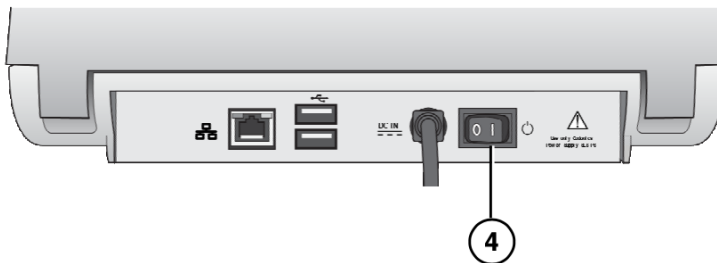
1. Make sure all print jobs have completed.



2. Press the Log Out button.



3. Press the Shut Down button.



4. When shutdown is complete, turn off the Power switch.

Troubleshooting

Problem: Startup fails.

- Check the external power supply and cables.
- Check the power switch on the rear panel.
- Verify that the SmartDrive is connected.

Problem: System will not power on.

- Replace the external power supply.

Problem: Login fails.

- Verify the user name.
- Verify the PIN.
- Verify that the user badge is correct and that its barcode quality is satisfactory.

Problem: The touch screen does not respond properly when touched.

- Run the Calibrate Screen utility.

Problem: The formulary fails to load or is invalid.

- A new formulary update package might have to be created and loaded. See your SLS system administrator.

Problem: A drug container failed verification.

- The drug might have to be added to or corrected in the formulary.
- Make sure that the barcode on the drug is of good quality.
- **CAUTION: This is a serious issue. Notify your SLS system administrator.**

Problem: A test label or syringe label did not print correctly.

- Discard the label and try again.
- If the label print quality is bad: Run the Clean Nozzles utility, Replace the ink cartridge, and Replace the label media.
- If the print is not aligned properly on the label, run the Adjust Label utility.
- If the wrong drug information is printed on the label, the drug might have to be corrected in the formulary. See your SLS system administrator.
- **CAUTION: This is a serious issue. Notify your SLS system administrator.**

Problem: The barcode scanner is not scanning.

- Make sure the barcode is correctly positioned. The red cross-hair should line up with the barcode and the container or syringe should be as close to the front cover as possible.
- Shutdown the system from the touch screen and then cycle power to the system.
- Make sure the quality of the barcode is good.
- Clean the scanner's glass window.
- The barcode symbology might not be supported. Contact Codonics Technical Support (+1 440.243.1198)

Problem: The label media is jammed.

- Clear the label jam. Refer to "Clearing a Label Jam".

Problem: The SLS will not connect to the network.

- Verify that the Ethernet cable or Wi-Fi adapter is connected.
- Verify that the SLS network settings are configured properly.

NOTE: For additional troubleshooting issues, refer to the Safe Label System User's Manual.

Safe Label System® Drug Labeling Solution

SL - Slovenski Jezik

Dokumentacija Opaziti

To dokument je del od EU MDR zahteve. The Kodonika Varno Oznaka Sistem® Izdelka je a Medicinski pripomočki razreda I, namenjeni zdravstvenim delavcem. Embalaža in označevanje izdelkov, vključno z grafičnim uporabniškim vmesnikom (GUI), sta na voljo v angleščini in ustrezata MDR, Priloga I, poglavje III, 23.4, ob upoštevanju usposobljenosti in znanja potencialnega uporabnika.

Splet informacije, Ključ Specifikacije, Predvideno Uporaba, Uporabnik Priročnik Dodatki, Hitro Začni Vodnik in Nastaviti ČE TI (Navodila za uporaba) so na voljo v osnovno prevod za Član Država Jeziki. Primarno ČE TI so na voljo v Angleščina.

Codonics Izdelki so Razred jaz izdelkov predvidena za uporaba avtor Skrb za zdravje Strokovnjaki. Izdelki embalaža in označevanje, vključno Grafično Uporabnik Vmesnik (GUI) za delovanje so Ponujen v angleščina in srečati MDR, Priloga JAZ, Odsek III, 23.4, jemanje račun usposabljanje in znanje od potencial uporabnik.

* Splet informacije, Ključ Specifikacije, Predvideno Uporaba, Uporabnik priročnik Dodatek, Hitro Začni Vodnik & Nastaviti ČE TI so na voljo v preprosto prevod Član Država Jeziki; primarni ČE TI so na voljo v angleščina

Pregled:

Kodonika Varno Oznaka Sistem SLS 550i Point of Care Station (PCS) je standard oskrbe v vodilnih svetovnih bolnišnicah. Nagrajeni medicinski pripomoček razreda II FDA, sistem izboljšuje varnost in natančnost upravljanja z zdravili in označevanja skladnosti kjer koli so zdravila pripravljena. V OR se SLS integrira z vozički za zdravila za anestezijo, da elektronsko identificira zdravilo v roki. Vizualna in zvočna potrditev, ki temelji na NDC vial / ampule, zagotavlja zdravnikom v realnem času varnostni pregled, ki deluje kot drugi sklop oči in pomaga odpraviti najpogostejše napake pri zdravilih. SLS na zahtevo izdelava nalepko, skladno s TJC, ki vključuje črtno kodo, ki zajema NDC iz parenteralne vial za integracijo pri dajanju z Epic in Cerner. Kadar se uporablja skupaj z Codonics SLS-WAVE, to proces elektronsko dokumentov bolnik zapis 'proste roke' do izboljšati napolniti zajemanje, obračun natančnost in 340B skladnost, ustvarjanje standardizacija in omogočanje BCMA v ALI.

Safe Label System:

Integrira s obstoječe potek dela, dodajanje TJC skladnost in lekarna nadzor ob vsaki lokaciji kje na zahtevo zdravila so pripravljeni, taka kot ALI, ICU, PACU, bolnik tla in lekarna

Prispeva kliniki s elektronski zdravila varnost čeki medtem narašča produktivnost

Dovoli odobren v bolnišnici droge, razredčila, koncentracije, in skupaj odmerki / skupaj glasnost pripravki do biti integrirano s po vsem svetu priznana najboljše vaje in mednarodni standardi v a formular upravlja avtor lekarna in na voljo ob konice prstov od kdorkoli priprava zdravila

Zajemanje natančno NDC od parenteralno viala in nosi to do pripravljeni nalepko do zagotoviti 100% natančno dokumentacijo za napolniti zajemanje in 340B odgovornost

Lahko biti upravlja na daljavo vključno programske opreme posodobitve in prispeva stanje povratne informacije do določeno uporabnikov prek Administracija Orodje in E-naslov Obveščevalec (neobvezno)

Kdaj uporablja v veznik s SLS-WAVE, popolna rešitev omogoča 'proste roke' integracija s Epsko in Cerner do maksimirati prihodek, izboljšati bolnik rezultatov in klinik potek dela avtor zmanjšanje priročnik klikne

Izboljšati Bolnik Varnost

Napake v priprava in izbiro kot no kot dokumentacijo netočnosti pojavijo za a številko od razlogi. Večkratni moteči dejavniki, ubogi rokopis in podoben / podobni zvoku drog zelo prispevati do potencial za zdravila napake. SLS objame pokličite do izboljšati bolnik in zdravila varnost avtor:

Zmanjša najbolj običajni droga napake narejeno med izbor, priprava in uprave od za injiciranje in intravensko zdravila v ALL, vključno viala / ampula zamenjave, napačno označevanje / nečitljivo označevanje, brizgo zamenjave in potekel brizge

Izpolnjuje ISMP in APSF priporočila to vsak anestezira lokacijo bi morali imeti a mehanizem do prepoznati zdravila prej risanje njim gor ali dajanje njim (črna koda bralec)

Samodejno darila kliniki s vizualno in slišno potrditve od vsak droga in koncentracija, vključevanje elektronski varnost čeki do Odstrani element od človek napaka

Specifikacije

Sistem: Integrirano dotik zaslon računalnik, 2D črna koda optični bralnik, barva črnilo curek tiskalnik, avdio povratne informacije in omrežje sposoben (Ethernet standard, Wifi neobvezno)

Moč: Univerzalni Vhod: 100-240 VAC, 50/60 Hz

Mere: 10.43 " (26.5 cm) W, 15.67 " (39,8 cm) D, 16.50 " (41.9 cm) H

Utež: 14.5 lbs. (6,6 kg)

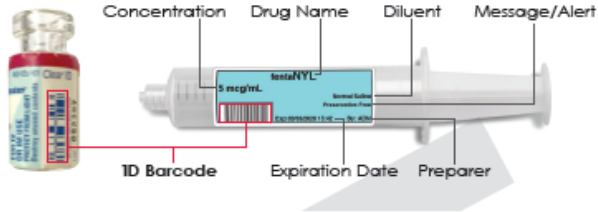
Regulativni: Poln medicinski naprave skladnost vključno Razred 2. FDA in Razred jaz MDR 2017/745 / EU (CE), GMP / QSR, ISO 13485: 2016 / NS-EN ISO 13485: 2016, Električna Varnost IEC 60601-1 Ed. 3.1 in EMC / EMI: FCC Razred A in IEC 60601-1-2: Ed. 4. za Strokovno Skrb za zdravje Objekti

Berljivo Črtne kode: Koda 128, GS1-128, Podatki Matrica, UPC-A, UPC-E, EAN-13, EAN-8, GS1 DataBar Družina, Prepleteno 2. od 5, ITF-14, Koda 39, Koda 32, ISBT 128, QR Koda

Zapisljivo Črtne kode: Podatki Matrica, EAN-13 / UPC-A

Exact NDC matching vial to syringe

Captures NDC of parenteral vial, providing 100% accurate documentation for charge capture and the exact NDC for 340B accountability



Prints full-color labels that comply with The Joint Commission NPSG.03.04.01*, and meet the intent of ISO 26825, ASTM 4774 Standards & ASA Guidelines

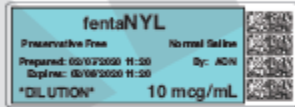
*Prints diluent and dilution if required



Shown with patient information when integrated with EMR/ADC



Shown with auxiliary barcode



60 mm x 22 mm standard size labels



Barcode for EHR/AIMS integration

SLS Uporabnik Priročnik

Predgovor

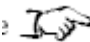
Konvencije Uporabljeno v To Priročnik

Označeno Sezname

Metke so uporabljajo do zaslon a seznam od neprocesno predmetov. Za primer:
The naslednje dogodkov sprožilec a sinhronizacijo od SLS podatkov do to shranjene na SmartDrive:

- Samodejno vsak 15. minut
- Formular posodobitve

Oštevilčena Koraki

The  ikono označuje začetek od a postopek. The koraki v a postopek so oštevilčena. Za primer:

- Odprto spredaj pokrov.
- Pritisnite Črnilo .

Opombe

Opombe vsebujejo dodatno informacije povezane do a temo ali postopek. Za primer:

OPOMBA: The sistem volja zagotoviti to a preskus natisni je izvedli ob vsaj enkrat a dan.

Previdno in Opozorila

Previdno opozorilo ti do dejanja ali situacijah to lahko vzrok škodo do opremo ali podatkov.

Za primer:

Opozorila opozorilo ti do dejanja ali situacijah to lahko rezultat v osebno poškodba. Za primer:

Pomembno Informacije in Imena datotek

Krepko tip je uporabljajo za poudarek, uporabnik vmesnik predmet imena, in poti ali imena datotek.

Za primer:

- The Črna koda Optični bralnik skenira droga posoda črne kode za identiteta in preverjanje.

Uporaba nadzor do pravilno datum in čas, potem pritisnite v redu .

Namen in Obseg

Glej do to Uporabnikov Priročnik za postopki na kako do izvesti Safe Label System (SLS) uporabnik operacije, vključno z:

- Nastavitev gor strojne opreme in programske opreme
- Nastopajo osnovno funkcije taka kot sečnja v in ven, in konfiguriranje nekaj System nastavitve (za na primer, zvok prostornina, svetlost)
- Tiskanje in potrjuje brizgo nalepke
- Preverjanje droga brizge avtor skeniranje njihovi črtne kode
- Vzdrževanje sistem
- Spremljanje sistem stanje in odpravljanje težav običajni težave

Izdelka Informacije

Za tehnični pomoč s SLS Točka od Nega Postaja, pokličite Codonics Tehnični

Podpora ob naslednje številka:

Telefon: +1 440.243.1198

Cestnina Prost: 800.444.1198 (ZDA samo)

Tehnični Podpora je na voljo 24/7/365. Tehnični Podpora je tudi na voljo na spletu prek

E-naslov in Codonics splet stran:

E-naslov: support@codonics.com

Splet Strani: www.codonics.com

Splošno izdelka informacije lahko tudi biti zahteva avtor pošiljanje E-naslov do:

E-naslov: info@codonics.com

Prosim vključujejo vaš poštni pošiljanje po pošti naslov in telefon številko v E-naslov sporočilo.

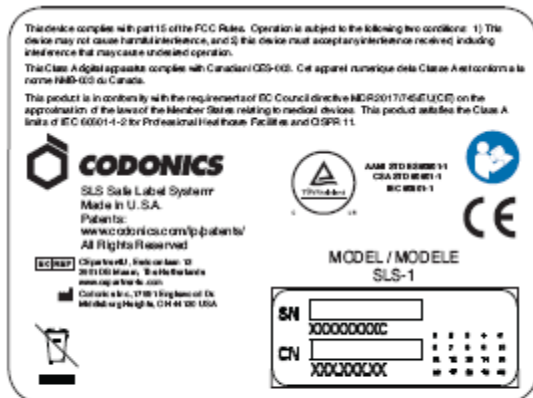
Osnovno izdelka informacije je vrnil prek E-naslov razen drugače zahteva.

Opozorila in Omejitve od Uporaba

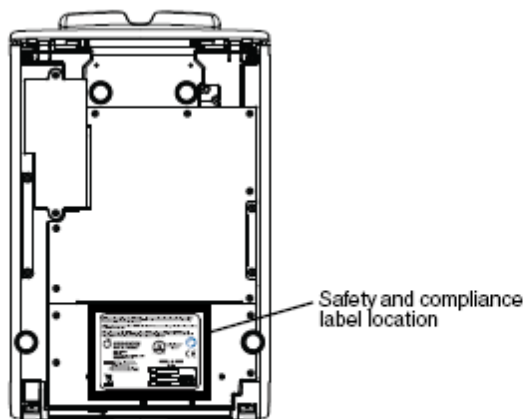
Lokacija od Varnost in Skladnost Nalepke

Codonics je v skladnost s različno predpisi.

The SLS PCS varnost in skladnost nalepka, prikazano spodaj, je nahaja na spodaj od naprave (prikazano na naslednje strani).



SLS PCS safety and compliance label



SLS PCS safety and compliance label, on bottom of device

Napetost Opozorilo

The vzklik točka znotraj a trikotnik je predvidena do opozorilo uporabnik do prisotnost od pomembno delujejo in vzdrževanje (servisiranje) navodila v literatura spremljevalni to naprave.



REFER STORITVE TO KVALIFICIRANO STORITEV OSEBJE. ODSTRANITEV OF OZNAKE, OBLOGE, ALI VGRADA Pritrdilni elementi MAJ PRAZNO THE GARANCIJA. TO APARATI OBVEZNO BODI ELEKTRIČNO UTEMELJENO. TO PREPREČITE OGNJ ALI ŠOK NEVARNOST, DO NE IZPOSTAVITEV TO NAPRAVA TO DEŽ ALI VLAGA.

OPREMA JE NE TO BODI UPORABLJENO AS A KOMPONENTA OF A ŽIVLJENJE PODPORA SISTEM.

Življenje podpora naprav ali sistemov so naprav ali sistemov to podpora ali vzdrževati življenje, in

čigar neuspeh do izvesti lahko biti razumno pričakovano do rezultat v a pomembno poškodba ali smrt do a oseba. A kritično komponenta je kaj komponenta od a življenje podpora naprave ali sistem čigar neuspeh do izvesti lahko biti razumno pričakovano do vzrok neuspeh od življenje podpora naprave ali sistem, ali do vplivajo svoje varnost ali učinkovitost.

Laser Opozorilo

OPOZORILO To naprave oddaja CDRH / IEC Razred 2. laser in IEC Razred 1M svetloba. Ali ne buljiti v žarek.

Serijski Številka, Konfiguracija, Datum Koda, in Sprememba Kode

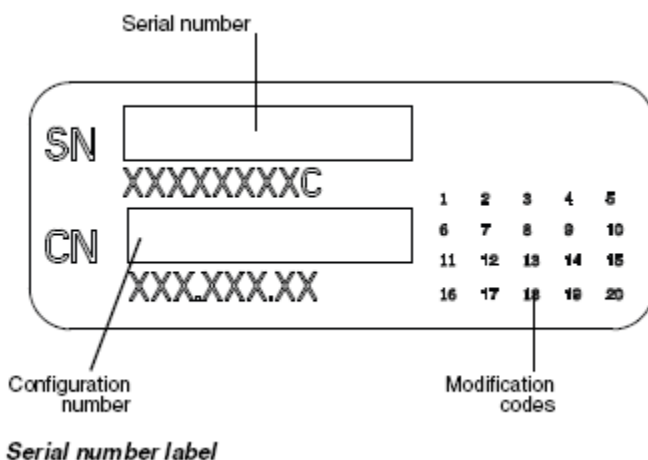
The serijski številko nalepko je postavljen na varnost in skladnost nalepko.

The serijski številko nalepko vključuje naslednje informacije:

The serijski številko (SN), ki edinstveno identificira enota.

The konfiguracijo številko (CN), ki podrobnosti graditi konfiguracijo.

The spremembe kode, ki so do prav od CN številko in so a serije od 20. številke. Kdaj kaj od teh številke so blokirano ven, to jazoznačuje a sprememba to je bil narejeno do enota.



Potencial za Radio Pogostost Motnje na Naprava Delovanje

Oboje prenosni in mobilni RF komunikacije opremo lahko vplivajo medicinski električni oprema, vključno SLS PCS. SLS PCS je predvidena za uporaba v elektromagnetni okolje določeno v smernice in proizvajalca izjavo oddelku.

Potencial za Radio in Televizija Motnje

SLS PCS ustvarja in uporablja radio frekvenca energija, in če ne nameščen in uporablja pravilno, to je, v strogo skladnosti s proizvajalca navodila, maja vzrok interference do radio in televizija sprejem. To ima bila tip preizkušen in najdeno do izpolnjujejo s Razred A emisije meje za a računalništvo naprave v skladnosti s specifikacije v Poddel J od Del 15. od FCC Pravila, ki so zasnovan do zagotoviti razumno zaščita proti taka interference kdaj delujejo v a komercialni okolje. SLS PCS je ne predvidena za uporaba v a stanovanjski Razred A okolje. SLS PCS zahteva a medicinski moč / tla. Če vaš SLS naredi vzrok interference do radio ali televizija sprejem, ti so spodbuja do poskusite do pravilno interference avtor eno ali več od naslednje ukrepi:

Preusmeriti prejemanje antena

Prestavite SLS PCS s spoštovanje do sprejemnik

Če potrebno, ti bi morali posvetujte se Codonics Tehnični Podpora ali an izkušen radio / televizija tehnik za dodatno predlogi. Ti maja najti naslednje knjižica pripravljeni avtor Zvezna Komunikacije provizija koristno: *Kako do Prepoznajte in Reši Radio-TV Motnje Težave*. To knjižica je na voljo iz ZDA Vlada Tiskanje Pisarna, Washington, D.C. 20402, Zaloga Ne 004-000-00345-4.

To izdelka je v skladnost s zaščita zahteve od ES Svet direktive MDR 2017/745 / EU (CE) o približevanju zakonodaje držav članic o medicinskih pripomočkih. Ta izdelek izpolnjuje meje razreda A IEC 60601-1-2 za poklicne zdravstvene ustanove in CISPR 11. Izjavo o skladnosti z zahtevami direktive je podpisal Codonics podpredsednik predsednik.

Smernice Glede Elektromagnetni Emisije in Imuniteta

Primerno okoljih so kot sledi:

SLS550i je predvidena za uporaba v bolnišnica in klinični okoljih vključno delujejo sobe in perioperativni okolje.

SLS550i ima ne bila ocenjeno za uporaba blizu VF kirurški opremo. Če uporaba blizu VF kirurški opremo je želeno, uporabnik je odgovoren za preverjanje pravilno delovanje od SLS550i. Če SLS550i naredi ne izvesti pravilno v to okolje, premakniti

SLS550i dlje iz vir od elektromagnetni motnja.

SLS550i ima ne bila ocenjeno za uporaba v v sili medicinski vozil ali v stanovanjski applications.

OPOMBA: Zaradi lastnosti radiofrekvenčnih emisij te opreme je primerna za uporabo na industrijskih območjih in v bolnišnicah (CISPR 11 razred A). Če se uporablja v stanovanjskem okolju (za katero je običajno potreben CISPR 11 razreda B), ta oprema morda ne bo nudila ustrezne zaščite radiofrekvenčnim komunikacijskim storitvam. Uporabnik bo morda moral sprejeti omilitvene ukrepe, na primer premestitev ali preusmeritev opreme.

Kot a podpora naprava, SLS550i naredi ne zagotoviti bistvenega pomena izvedba.

OPOZORILO Uporaba od to opremo sosednji do ali zloženi s drugo opremo bi morali biti izognili Ker to lahko rezultat v neprimerno delovanje. Če taka uporaba je potrebno, to opremo in drugo opremo bi morali biti opazili do preverite to oni so delujejo običajno.

OPOZORILO Uporaba od dodatki, pretvorniki in kabli drugo kot tiste določeno ali pod pogojem avtor proizvajalca od to opremo lahko rezultat v povečala elektromagnetni emisije ali zmanjšala elektromagnetni imunost od to opremo in rezultat v neprimerno delovanje.

OPOZORILO Prenosni RF komunikacije opremo (vključno z zunanje naprave taka kot antena kabli in zunanji antene) bi morali biti uporablja št bližje kot 30. cm (12 palcev) do kaj del od SLS550i, svoje kabli, ali dodatki. V nasprotnem primeru degradacija od izvedba od to opremo lahko rezultat.

Elektromagnetni Emisije Standardi in Preizkus Raven

Test/Standard	Compliance
RF Emissions CISPR 11	Group 1. Class A
RF Emissions FCC Part 15	Class A
Conducted Emissions CISPR 11	Group 1. Class A
Harmonic Distortion IEC 61000-3-2	Class A
Voltage Fluctuations and Flicker IEC 61000-3-3	Complies

Elektromagnetni Imuniteta Standardi in Preizkus Ravni

Test/Standard	Compliance
Electrostatic Discharge	+/-8 kV contact
IEC 61000-4-2	+/-2 kV, +/-4 kV, +/-8 kV, +/-15 kV air
Radiated RF Immunity	3 V/m
IEC 61000-4-3	80 MHz – 2.7 GHz 80% AM at 1 kHz
Proximity fields from RF wireless equipment	Complies
IEC 61000-4-3	

Test/Standard	Compliance
Electrical Fast Transient/Burst	AC Port: ± 2 kV, 100 kHz repetition frequency
IEC 61000-4-4	SIP/SOP Ports: ± 1 kV, 100 kHz repetition frequency
Surge	Line-to-Line: ± 0.5 kV, ± 1.0 kV
IEC 61000-4-5	Line-to-Ground: ± 0.5 kV, ± 1.0 kV, ± 2.0 kV
Conducted Immunity	AC Port and SIP/SOPs:
IEC 61000-4-6	3 V, 0.15 MHz – 80 MHz 6 V, in ISM bands between 0.15 MHz and 80 MHz 80% AM at 1 kHz
Magnetic Field Immunity	30 A/m, 50 Hz or 60 Hz
IEC 61000-4-8	
Voltage Dips	0% UT, 0.5 cycle at 0°, 45°, 90°, 135°, 180°, 225°, 270° and 315°
IEC 61000-4-11	0% UT, 1 cycle AND 70% UT, 25/30 cycles, Single phase: at 0°
Voltage Interruptions	0% UT, 250/300 cycle
IEC 61000-4-11	

Varnost Previdnostni ukrepi

- Nikoli povezati naprave zunanji moč ponudbe do kaj vtičnico ali moč ponudbe to ima a Napetost ali frekvenca drugačen kot to določeno (100 - 240 VAC, 50/60 Hz). Uporaba samo zunanji moč ponudbe pod pogojem s naprave (Codonics del Number SLS-PS).
- Kdaj zamenjava naprava, nenehno moč to dol (glej do »Napajanje Izklopljeno Sistem ") in odklopite AC moč kabel predhodnik do servisiranje to.
- Škoda do a moč kabel je a ogenj in šok nevarnost. Kdaj odklopite a moč vrvica, drži to avtor vtič samo in Odstrani vtič previdno.
- Če a moč kabel ali zunanji moč ponudbe potrebe do biti nadomeščen, zamenjati to samo wi drugo Codonics moč kabel ali Codonics zunanji moč ponudbe. Druga možnost je, zamenjati to s a moč kabel ali zunanji moč ponudbe izdelan posebej za vaš moč konfiguracijo.

- Če naprave je kajenje ali izdelava nenavadno zvoki, moč izključeno in odklopite naprave takoj.
- Ali ne vstavi tuje predmetov od kaj prijazna v naprava; delaš torej lahko predstavljajo a varnost nevarnost in vzrok obsežno škodo.
- Ali ne kraj kaj tekočina posode na naprave. Če za nekaj razlog, tekočina seeps v naprava, moč izključeno naprave in odklopite moč kabel iz vir vtičnico. Če uporablja brez jemanje korektivni ukrepi, naprave maja biti poškodovana.
- Ali ne izpostavi naprave do vnetljivo plini v koncentracije visoko dovolj do vzrok ogenj ali eksplozija.

Lokacija Previdnostni ukrepi

- The delujejo ambient temperatura obseg od SLS PCS je 15–30 ° C (59–86°F), s a sorodnik vlažnost od 20% –80%.
- Če SLS PCS je preselil hitro iz an zelo mraz lokacijo do a topleje ena, kondenzacija je verjetno do oblika. Ali ne uporaba SLS PCS če kondenzacija ima oblikovan.
- Počakaj do kondenzacija ima izhlapela. Ti lahko hitrost gor izhlapevanje čas avtor premikanje SLS PCS do a sušilni stroj lokacijo.
- Ali ne kraj SLS PCS v a lokacijo s visoko vlažnost ali visoko prah. V zraku umazanijo delcev lahko vzrok natisni kakovost težave. Izogibajte se namestitev SLS PCS v lokacijah kje prezračevanje kanali, odprto vrata, ali pogoste mimoidoči morda izpostavi SLS PCS in nalepke do visoko ravni od ruševine.
- Ali ne poiščite SLS PCS v vrelni območjih kje vodik sulfid in kislino ioni so verjetno do biti ustvarjeno.
- Ali ne poiščite SLS PCS kje tam so mastno hlapi in hlapov.
- Ali ne poiščite SLS PCS v neposredno sončna svetloba.
- Ali ne poiščite SLS PCS blizu virov od visoko RF energija.
- Ali ne poiščite SLS PCS kje to morda biti predmet do dirkanje ali vibracije, taka kot a mizo ali pisalna miza v a zelo prometno območje. Jarring in vibracije lahko vplivajo natisni kakovost od nalepke.
- Če uporabo a VESA nosilec do nosilec naprave na a zid, stojalo, ali anestezija ponudbe voziček, napoti do VESA Montaža Vmesnik Standardno (MIS), na voljo ob www.vesa.org, za pravilno lokacijo in namestitev informacije.

Čiščenje Previdnostni ukrepi

Za izogibajte se škodo do naprava, opazujte naslednje splošno previdnostni ukrepi za čiščenje naprava:

- Apply čistilec do a čisto, brez vlaken krpo fprvič in potem čisto naprave.
- Tekočina uporablja neposredno do naprave lahko mogoče puščanje znotraj naprave in vzrok škodo. Uporaba dodatno previdnost kdaj čiščenje okoli zračniki na nazaj od zaslon na dotik in zvočnik.
- Dovolj naprave do popolnoma suha prej delujejo to ponovno.
- Veliko plastika sestavnih delov so uporablja v SLS PCS Gradnja. Plašč flekanje in deformacija je verjetno do pojavijo če naprave je obrisal s kemična prašniki, benzen,

razredčila, insekticidi, ali drugo topila. Guma in PVC materialov levo v stik s SLS PCS za podaljšano obdobja od čas volja vzrok škodo. Nikoli uporaba na osnovi nafte rešitve ali abraziv čistila.

- Nikoli uporaba abraziv material.
- Nenehno razredčen čiščenje agenti po do proizvajalca navodila, ali uporaba najnižja mogoče koncentracija.
- Ali ne dovolite čiščenje agent do ostanejo na naprave površin. Obrišite to izključeno takoj s a brez vlaken krpo navlaženo s vode.

Za čiščenje navodila, napoti do »Čiščenje Priloga «.

To je priporočljivo to ti razkuži izdelka samo kdaj potrebno kot določena avtor vaš bolnišnici politika, do izogibajte se dolgoročno škodo do izdelka.

The naprave mora biti očiščena najprej, kot opisano v »Čiščenje Priloga ", prej uporabo a splošno razkuževanje agent.

Čiščenje Priloga

OPOZORILO Nenehno moč izključeno sistem prej čiščenje. An električni šok lahko pojavijo če sistem je pogon na in tekočina je razlito v to.

Za čisto sistema ohišje, uporaba a čisto, brez vlaken krpo navlaženo s bodisi toplo vode in blago milo, a razredčena nejedka detergent, ali eno od naslednje odobren čiščenje agenti:

Amoniak: Redčenje od Amoniak <3%
Alkohol: Etanol 70%, Izopropanol 70%.

- Končano čas, črnilo prekomerno pršenje morda zbrati ob osnova od naprave. The naprave uporablja a vakuum sistem do zbrati najbolj od to črnilo na a serije od nasičenost blazinice.
- Sčasoma, teh blazinice morda potrebujejo do biti zamenjal. Kontakt Codonics Tehnični Podpora do določiti če blazinico zamenjava je potrebno.
- Če črnilo ima dobil na sistema ohišje, to lahko biti očiščena s an amoniaka temelji okno čistilec in a brez vlaken krpo.
- Če skeniranje črtne kode je nedosleden ali naprave je imeti težavnost skeniranje, čisto skener steklo okno.

Razkuževanje Priloga

Priporočeno razkuževanje agenti vključujejo:

1. del gospodinjstvo belilo in 5. deli vode rešitev

A-456-N
Virex II 256
PDI Sani-Cloth®

OPOZORILO Codonics naredi št. terjatve glede učinkovitost od naveden kemikalije ali metode kot a pomeni od nadzor okužba. Posvetujte se vaš bolnišnici okužba nadzor častnik ali epidemiolog.

Razkuževanje Previdnostni ukrepi

Za izogibajte se škodo do naprava, opazujte naslednje splošno previdnostni ukrepi za razkuževanje naprava:

- **Ali ne uporaba Povodine, Sagrotan, ali Mucocit razkuževanje agenti ali močna topila (za na primer, aceton).**
- **Ali ne uporaba kaj razkuževanje agenti to korodira ali škodo polikarbonat.**

Mediji Previdnostni ukrepi

- **Neželen nalepke bi morali biti uničena ali odstranjen od do zagotoviti to neprimerno labels so ne uporablja.**
- **Samo uporaba Codonics črnilo kartuše in nalepke do zagotoviti pravilno delovanje od device in pravilno označevanje od brizge. Uporaba neodobreno črnilo kartuše in labels lahko svinec do nesprejemljivo rezultati, vključno ubogi natisni kakovost in ubogi nalepko oprijem do brizge.**
- **Škoda iz neodobreno črnilo ali nalepke volja praznino garancijo.**
- **Nikoli napolnite črnilo kartuše, kot to lahko rezultat v nepravilno barva uporabe.**

Odstranjevanje Zahteve

Odstranjevanje od to izdelka in potrošni material mora biti v skladnosti s vse primerno zakoni in predpisi v učinek ob kraj ob čas od odstranjevanje. Za dodatno informacije, napoti Nevarno Material Informacije.

Evropski Odstranjevanje Zahteve

Codonics slik in elektronski pripomoček naprav so ne do biti zavrženo ali reciklirano; precej oni so do biti vrniti do proizvajalca. Kontakt Codonics neposredno ali avtor povezava pod pogojem za najnovejši informacije glede:

Identifikacija od za posamezne države Uvoznik / distributer / proizvajalec
Izdelka vrnitev in zdravljenje od naš elektronski izdelkov

Proizvajalec: Kodonika Inc.
17991 Englewood Vozi
Middleburg Višine, OH 44130 ZDA
Telefon: +1 440.243.1198
Faks: +1 440.243.1334

E-naslov: WEEE@codonics.com
www.codonics.com

Codonics elektronski izdelkov in dodatki ležaj naslednje simbol so predmet do Evropski Direktive na Odpadki Električna in Elektronski Oprema (OEEO) 2002/96 / ES, spremenjena avtor Direktive 2003/108 / ES. The SL 50419 simbol označuje ločeno zbiranje in vrnitev zahteva.



EN 50419 symbol

Indikacije za Uporaba

Naprava Opis

Droga priprava in uprave v perioperativni okolje so integralno vidikov od anesteziologa bolnik nego odgovornosti. The Kodonika Varno Oznaka Sistem (SLS) je preprost, integriran sistem, ki uporablja optični bralnik črtne kode za branje in potrditev identitete zdravila iz FDA NDC (National Drug Code) in drugih ID-jev črtnih kod iz zabojnikov z zdravili in samodejno natisne nalepke za pripravljena zdravila in druge predmete, ki jih bolniki uporabljajo med kirurški posegi. Oznake so skladne z nacionalnimi predpisi, ki so osredotočeni na izboljšanje varnosti zdravil v perioperativnem okolju.

The programske opreme sestavnih delov zagotoviti funkcije za skeniranje posoda črtne kode; ustvarjanje, pregledovanje, in odobravanje v bolnišnici promocija od a formular zbirka podatkov; prikazovanje na zaslonu in zvočno potrjevanje vrste drog; in tiskanje oznak, skladnih z barvami ISO, ASTM in TJC (The Joint Commission), z 1D in / ali 2D črtnimi kodami. Sistem bere črtne kode posod z drogami in proizvaja vodoodporne barvne nalepke. Sistem je mogoče integrirati tako, da deluje s potekom dela AIMS (Anestezijski informacijski sistem za upravljanje), da v realnem času zagotovi dokumentacijo o dajanju zdravil, ko se briše 1D ali 2D črna koda brizge. Sistem je dostopen in upravljan prek omrežja (Ethernet ali Wi-Fi).

Naprava Značilnosti

The uporaba od droga razred posebne vzorec in barva na ASTM D4774 in ISO 28625 Specifikacije za Uporabnik Uporabljeno Droga Nalepke v Anesteziologija je nastavljen avtor spletnem mestu in nabora podatkov. *Formulacije* (nabori podatkov) so edinstveno imenovan

konfiguracije to maja razlikujejo v droge, barve, razredčitve, in komentarji do prilagoditi drugačen vaje znotraj a samski spletnem mestu ali bolnišnica (za na primer, otroški proti srčni).

Dodatno uporablja vključujejo proizvodnjo nalepke za IV in drugo artefakti uporablja med a kirurški postopek.

The Codonics SLS je na splošno postavljen v, vendar ne omejena do, perioperativni okolje do prepoznati brizge pripravljeni za anesteziologija uporaba med operacija.

Tipično uporabnikov od to sistem so usposobljeni strokovnjaki, vključno ampak ne omejena do zdravniki, medicinske sestre, in tehniki.

The major značilnosti in funkcije od družina od naprav vključujejo:

- **Optično branje droga posoda črna koda neposredno iz a viala ali drugo tip od posoda**
- **Dekodiranje ki ga je izdal proizvajalec črna koda v zahteva FDA Državna Droga Koda (NDC) ali Edinstven Droga Identifikator (UDI) številko**
- **Napotitev NDC / UDI številko do a upravlja spletno mesto formular Poglej gor zbirke podatkov**
- **Zagotavljanje avdio in ISO-skladen vizualno "Povratni branje" od droga ime**
- **Zagotavljanje an opozorilo če droga posoda je naveden kot "Odpoklican / zastareli" v spletnem mestu formular**
- **Tiskanje an lahko berljivo, vode odporen ISO 26825 skladen barva nalepko srečanje The Sklep provizija zdravila upravljanje standardi in American Družba od Anesteziologi smernic za označevanje**
- **Zagotavljanje osnovno informacije avtor ki natisnjeno nalepko črna koda lahko biti preberite to dokument zdravila uprave v an CILJI**
- **Tiskanje nalepke s vstavitev in izteka datum in čas za IV črte**

Naprava Indikacije za Uporaba Izjava: Na recept Uporaba Naprava

The Codonics SLS PCS naprave in SLS programske opreme prispeva a preprosto računalniško podprto črna koda skeniranje in tiskanje sistem do samodejno preverite droga identiteta iz NDC in drugo droga posoda UDI črtne kode, in do natisni nalepke za pripravljeni drog in drugo predmetov v uporaba na bolnikov med kirurški postopki.

The Codonics SLS PCS je na splošno postavljen v, vendar ne omejena do, perioperativni okolje do prepoznati brizge pripravljeni za anesteziologija uporaba med operacija. Dodatno uporablja vključujejo proizvodnjo nalepke za IV in drugo artefakti uporablja med a kirurški postopek. SLS PCS lahko tudi biti uporablja do natisni "Nekirurški okolje " barva in besedilo nalepke kot zahteva. Tipično uporabnikov od to sistem so usposobljeni strokovnjaki, vključno ampak ne omejena do zdravniki, medicinske sestre, in tehniki.

POZOR Zvezna pravo omejuje to naprave do biti prodal za uporaba avtor ali na naročilo od a zdravnik.

Nevarno Material Informacije

Materiali od Gradnja

Codonics ima nastavite zelo strogo standardi za ocenjevanje izdelkov do zagotoviti trženje od regulativni skladi izdelkov po vsem svetu.

Mi naredi ne namerno dodaj, niti so mi zavedati, to izdelkov ali embalaža vsebujejo naslednje materiali:

- **Živo srebro, razen kot uporablja v svetilko aplikacij (za na primer, skeniranje svetilke, osvetljena LCD-ji).**
- **Kadmij, razen kot uporablja kot debel film črnila na natisnjeno vezje deske.**
- **Šestvalentna Krom, razen kot uporablja kot debel film črnila na natisnjeno vezje deske, kot kromat pretvorba premazi na kovine površine, in kot a fotorezist na steklo plošče od katoda žarek cevi.**
- **Polibrominirani difenil etri in polibrominirani bifenili.**
- **Biološko arzen (majhna zneski od arzen uporablja v steklo, LED, in polprevodniki so ne upoštevati do biti biološko uporaben).**
- **Biološko kristalno kremen (majhna zneski od kristalno kremen so uporablja v CNe kaj barve, premazi, in polnilo materiali).**
- **Poliklorirani bifenili (PCB).**
- **Azbest.**
- **Ekološko kositer (ne uporablja v kositer svinec spajka aplikacije).**
- **Ozonski plašč snovi taka kot klorofluoroogljikovodiki, metil kloroform, and ogljik tetraklorid.**

Predelovalne dejavnosti

Med proizvodnja operacij to proizvajajo Codonics izdelkov (vključno z embalaža), št ozon izčrpavanje snovi (take kot klorofluoroogljikovodiki, metil kloroform, in ogljik tetraklorid) so uporablja.

Specifikacije

Sistem: Integrirano kapacitivni dotik zaslon računalnik, 2D črna koda optični bralnik, barva črnilo curek tiskalnik, avdio povratne informacije, in določbe za a omrežje vmesnik

Črnilo Kartuše: Ena barva vložek (CMY)

SmartDrive: USB bliskavico pogon za shranjevanje konfiguracijo podatki, formular zbirka podatkov, log datotek

Berljivo Črtne kode: GS1 DataBar Omejeno (RSS Omejeno), GS1 DataBar Zloženo (RSS-14 Zloženo), GS1-128,

UPC-A, Podatki Matrica, Koda 128, Koda 128 črtne kode s GS1-128, Koda 39, Koda 32,

IFT-14, Prepletено 2. od 5, EAN-8, EAN-13

Zapisljivo Črtne kode: Podatki Matrica

Omrežje Vmesniki: Ethernet (RJ-45), vključena standard

Wifi (USB-2 adapter), neobvezno, na voljo iz Codonics

Omrežje Hitrosti: Ethernet, poln duplex 100 Base-T samo
Wifi, 802.11 b / g / n (2.4 GHz) in 802.11 a / n / ac (5.0 GHz)
Omrežje Protokoli: SSH (Varno Lupina) in SCP (Varno Kopirati)
Uporabljen do dostop SLS PCS iz Codonics-pooblaščen aplikacij
Mere: Višina: 16.5 v. (41.9 cm)
Premer: 10.43 v. (26.5 cm)
Globina: 15.67 v. (39,8 cm)
Utež: 14.5 lbs (6.6 kg)

Moč: Univerzalni Vhod: 100-240 VAC, 50/60 Hz

Okolje: *Delujejo:*

Temperatura: 15–30 ° C (59–86 ° F)

Vlažnost: 20% –80% brez kondenzacije

Dostava in Skladiščenje:

Nadmorska višina: Morje Raven do 5790 m

Temperatura (Strojna oprema): -22,2–51 ° C (-8–123,8 ° F)

Temperatura (Črnilo Kartuša in Oznaka Mediji): 1–43 ° C (34–110 ° F)

Vlažnost (Strojna oprema): 5% –85% brez kondenzacije

Vlažnost (Črnilo Kartuša in Oznaka Mediji): 5% –80% brez kondenzacije

Medicinsko Skladnost FDA očiščeno do trgu na 510 (k) K101439 Razred II, MDR CE (Razred JAZ),

in Regulativni: GMP / QSR ISO 13485: 2016, Varnost IEC 60601-1 in EMC IEC 60601-1-2 za Strokovno

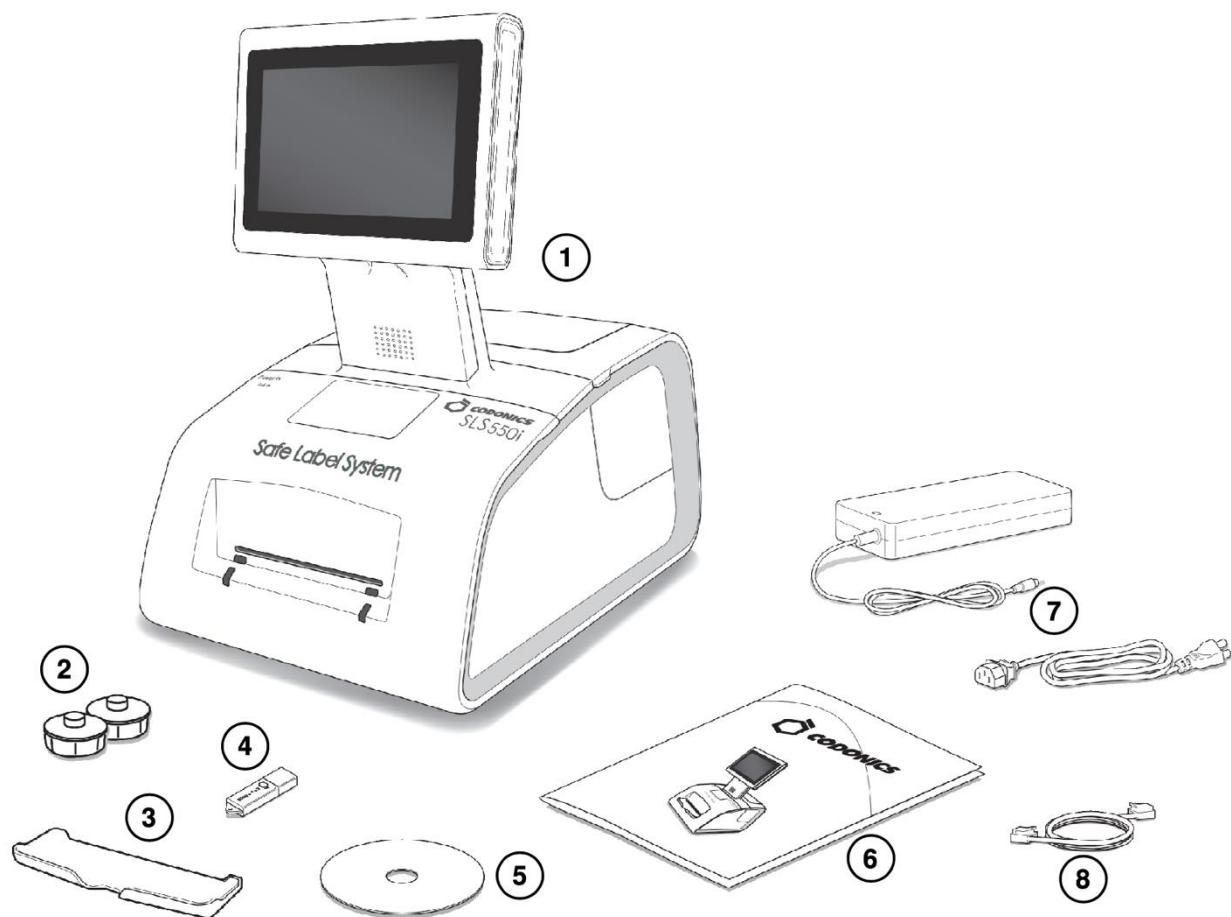
Skrb za zdravje objektov

Razvrstitev: Razred II oprema, Izdelka Koda BSZ, Uredbe Številka 868,5160

POZOR Zvezna pravo omejuje to naprave do biti prodal za uporaba avtor ali na naročilo od a zdravnik

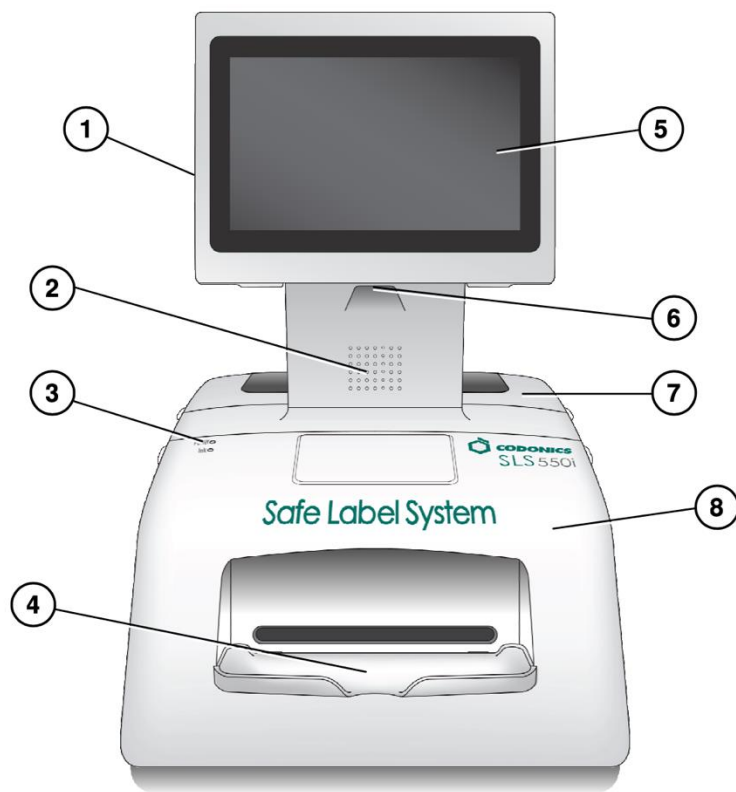
Komponente

Nepakirano Komponente



1. Safe Label System
2. Oznaka medijev vozlišča
3. Izhod zabojnik
4. SmartDrive
5. Uporabnikov Priročnik disk
6. Referenca vodnik in drugo dokumentacijo
7. Zunanji moč ponudbe in kabel
8. Ethernet kabel

Spredaj Komponente



1. Dotaknite se zaslon USB pristanišče 1.

2. Zvok zvočnik

3. Sistem moč LED

4. Izhod zaboju (nameščeno)

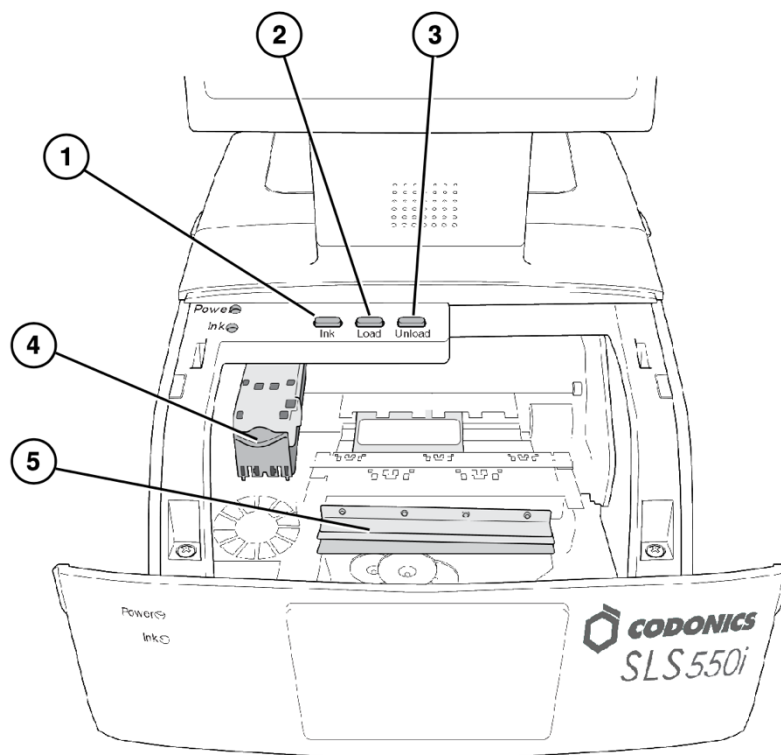
5. Dotaknite se zaslon

6. Črtna koda optični bralnik

7. Zadaj pokrov

8. Spredaj pokrov

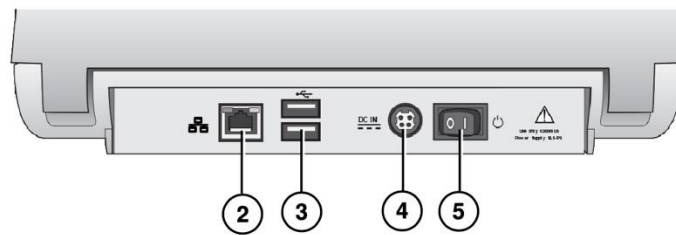
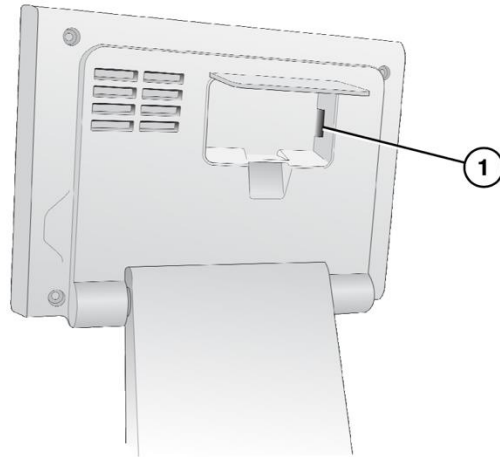
Komponente Notri Spredaj Pokrov



- 1.. Črnilo gumb
2. Naloži ampakton
3. Razkladanje gumb
4. Črnilo vložek prevoz
5. Oznaka cutter

OPOZORILO: Kdaj spredaj pokrov je odprto, izogibajte se stik s nalepko rezalnik.

Zadaj Komponente



1. SmartDrive USB pristanišče

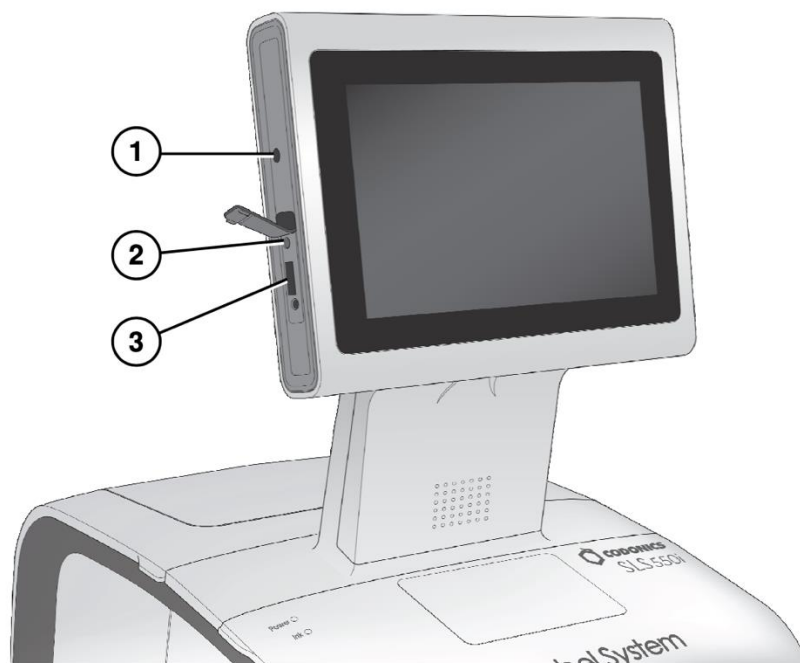
2. Ethernet pristanišče

3. USB pristaniščih

4. Moč vhod pristanišče

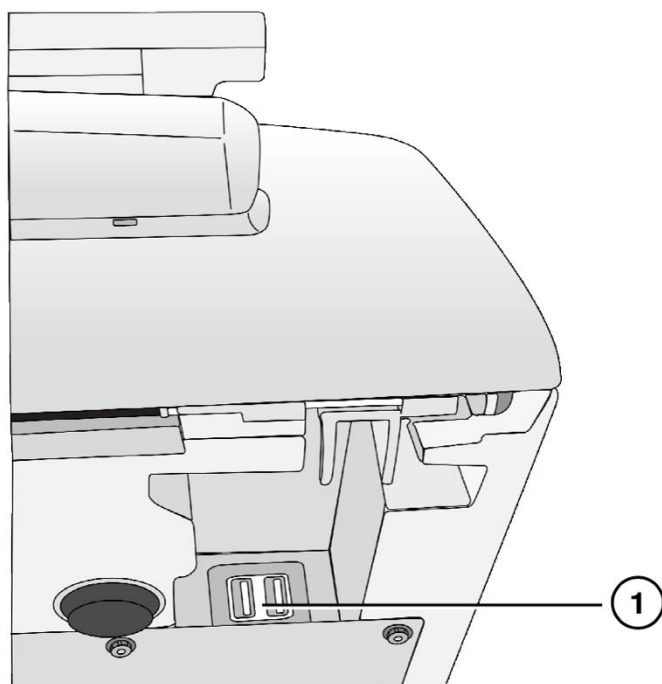
5. Moč stikalo

Dotaknite se Zaslona Komponente



- 1. Moč LED
- 2. Ponastaviti gumb
- 3. USB pristanišče

Wifi Adapter USB Port

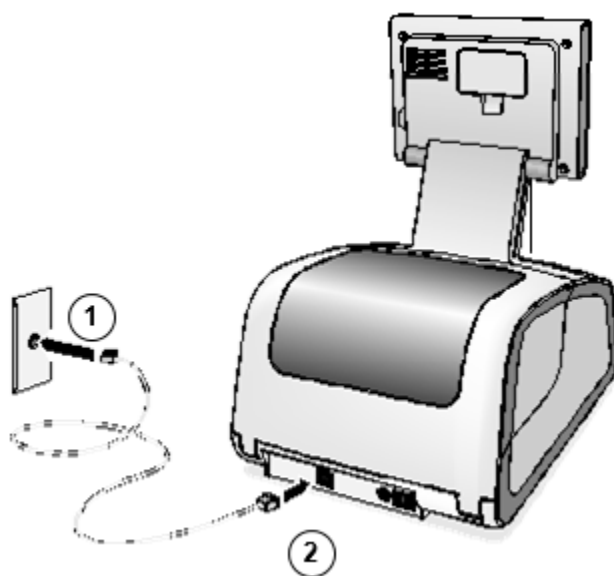


- 1. USB pristanišče za Wifi adapter (spodaj spredaj prav vogal od SLS)

Strojna oprema Nastaviti

POZOR: Samo usposobljeni uporabnikov bi morali namestiti in konfigurirati sistem.

Ethernet Kabel (Neobvezno)

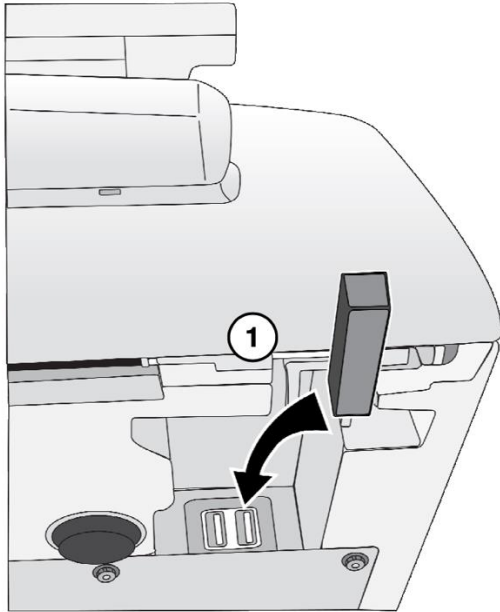


1. Povežite se Ethernet kabel do a vozlišče ali vtičnico to je povezan do omrežje.
2. Povežite se drugo konec od Ethernet kabel do SLS.

OPOMBA: Za informacije približno konfiguriranje SLS Ethernet omrežje nastavitve, napoti do SLS Uporabnikov Priročnik v1.3.0.

POZOR: The SLS podpira samo eno omrežje povezavo ob a čas, bodisi Ethernet ali Wifi. Ali ne povezati oboje an Ethernet kabel in Wifi adapter ob enako čas.

Wifi Adapter (Neobvezno)



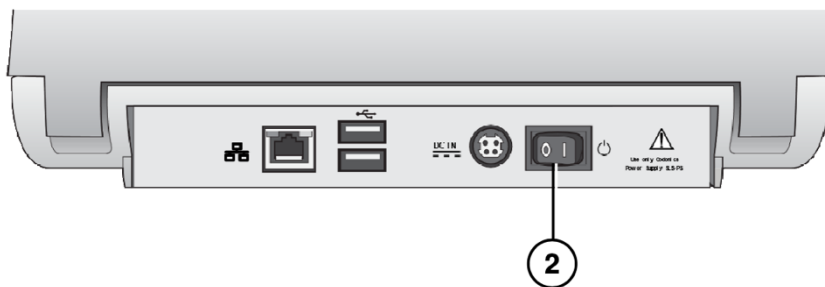
1. Vstavi Wifi adapter v USB pristanišče ob spodaj spredaj prav vogal od SLS.

OPOMBA: Za informacije približno konfiguriranje SLS Wifi omrežje nastavitve, napoti do SLS Uporabnikov Priročnik v1.3.0.

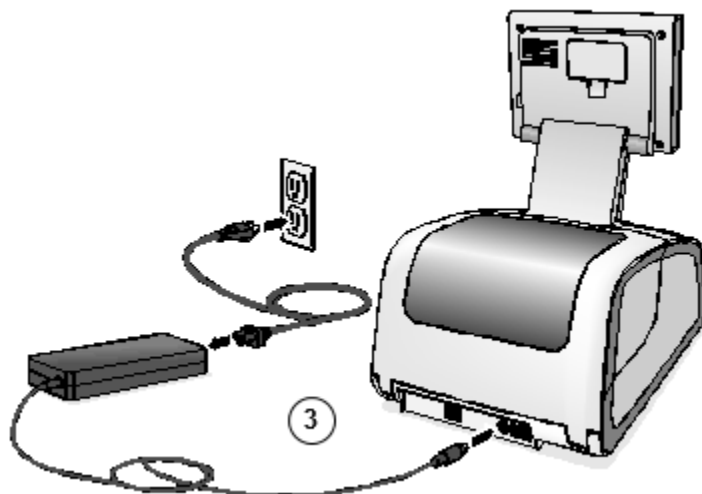
POZOR: The SLS podpira samo eno omrežje povezavo ob a čas, bodisi Ethernet ali Wifi. Ali ne povezati oboje an Ethernet kabel in Wifi adapter ob enako čas.

Moč, SmartDrive

1. Kraj SLS na a trdna ravni površino.



2. Obrat Moč stikalo do izključeno.



3. Povežite se zunanji moč ponudbe.



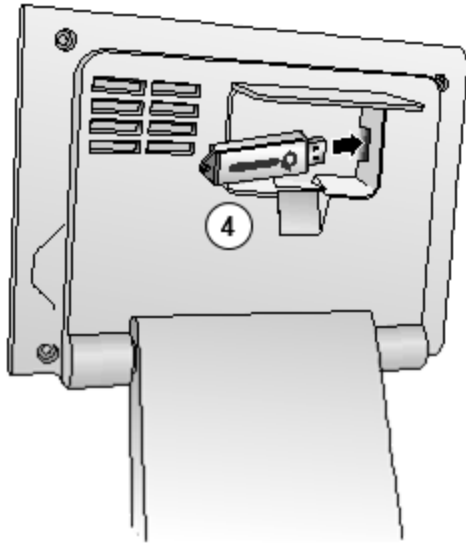
OPOZORILO: The moč kabel povezan do SLS je glavni odklopite za sistem.



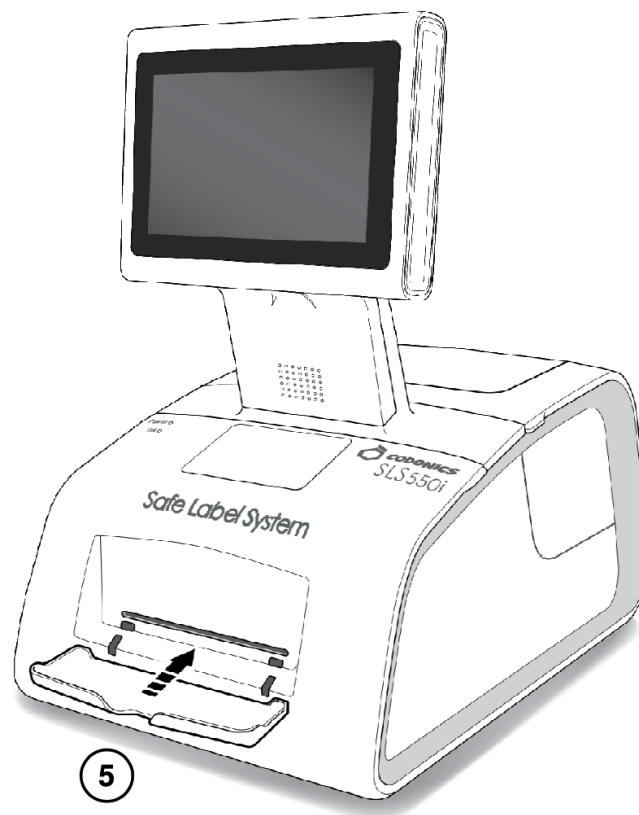
OPOZORILO: Ozemljitev zanesljivost lahko biti doseženo samo kdaj SLS je povezan do a posoda označena "Bolnišnica Samo " (to je, "Bolnišnica Ocena ").



OPOZORILO: Ali ne dotik a bolnik medtem tudi dostop SLS notranje sestavnih delov to so Spodaj dostop prevleke.

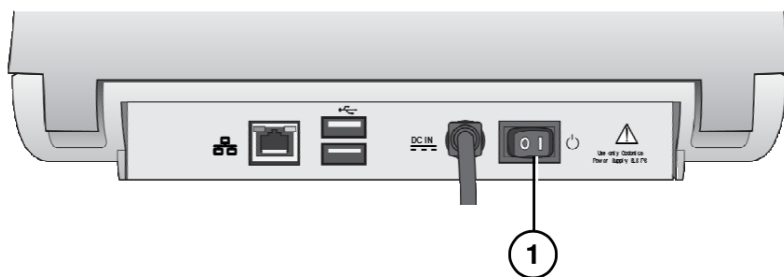


4. Vstavi SmartDrive.

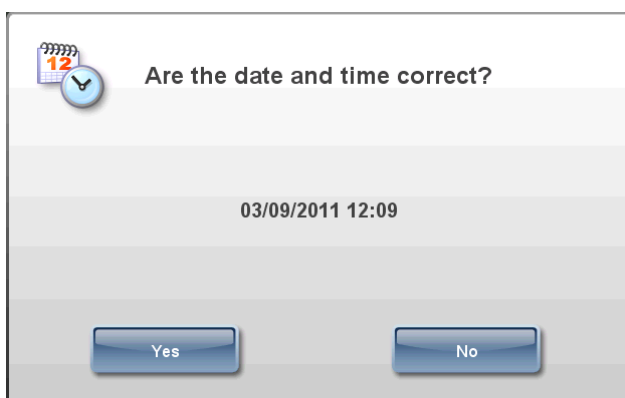


5. Vstavi izhod zabochnik.

Začeti

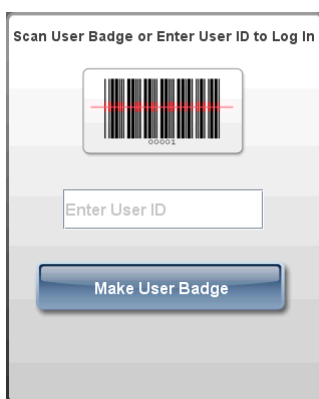


1. Obrat na Moč stikalo.



2.. Potrdite ali prilagodite datum in čas.

3.. The Vpiši se poziv prikaže.



nalaganje Mediji

OPOMBA: Uporaba samo Codonics-dobavljeno medijev.

Za naročilo medijev, stik Codonics Stranka Storitv ob:

Phone:+1.440.243.1198

Faks: +1.440.243.1334
Cestnina Prost: 800.444.1198 (ZDA samo)
Splet Spletna stran: www.codonics.com

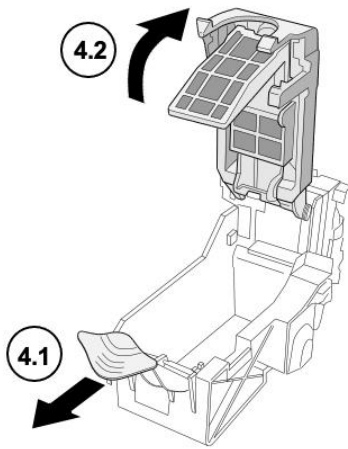
Namestitev Črnilo Kartuša

1. Odprto spredaj pokrov.

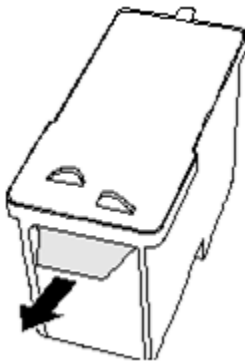


2. Pritisnite Črnilo .

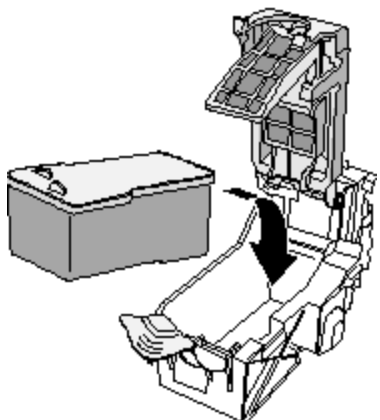
3. Počakaj za črnilo vložek prevoz do konča premikanje.



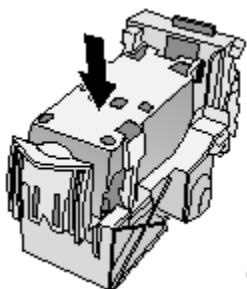
4. Odprto črnilo vložek prevoz.



5. Odstrani trak to prevleke črnilo vložek natisni glavo.



6. Namestite črnilo vložek.



7. Zapri črnilo vložek prevoz.

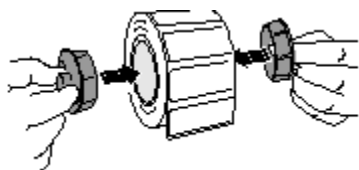


8. Pritisnite Črnilo .

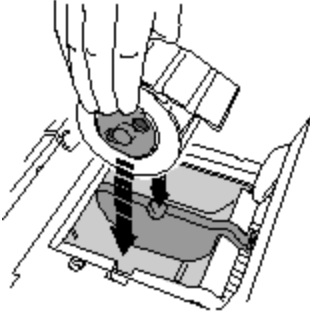
9. Zapri spredaj pokrov.

nalaganje Oznaka Mediji

1. Odprto zadaj pokrov.

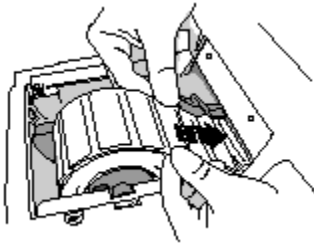


2. Vstavi nalepko medijev vozlišča.

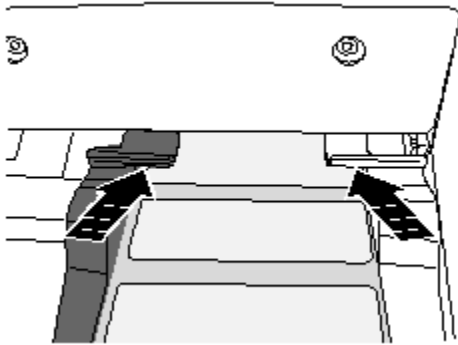


3. Kraj nalepko medijev in vozlišča v medijev vodniki.

4. Prilagodite medijev vodniki. Oznaka medijev bi morali biti varno ampak še vedno sposoben do obrat prosto.



5. Kraj nalepko medijev spodaj medijev vodniki in v podajalnik režo.



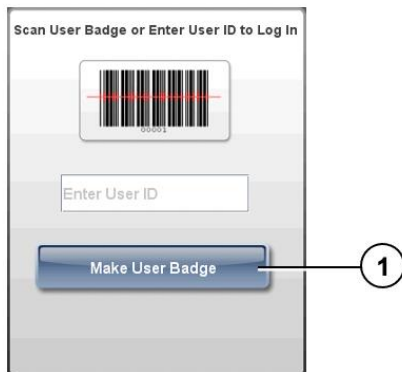
6. Krma nalepko medijev do SLS samodejno viri to skozi medijev pot. Ti morda potrebujejo do drži nalepko medijev v kraj za a malo sekund.

OPOMBA: Če SLS ne uspe do krme nalepko mediji, odprto spredaj pokrov, pritisnite Razkladanje gumb, Odstrani medijev iz medijev pot, počakaj do medijev pot valji ustavi se predenje, in poskusite nalaganje medijev ponovno.

7. Zapri zadaj pokrov.

Vpiši se

Izdelava a Uporabnik Značka



1. Ob Vpiši se hitro, pritisnite Znamka Uporabnik Značka .

Enter User Badge Information

Full Name:

Employee ID:

Initials: PIN: Confirm PIN:

Please enter Full Name.

Q W E R T Y U I O P
A S D F G H J K L
123 Z X C V B N M ←
Cancel Space Print

2

3

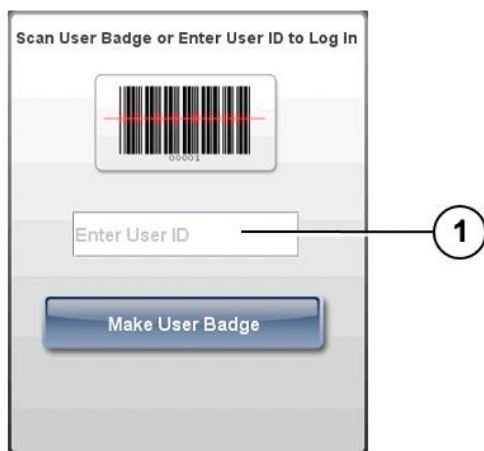
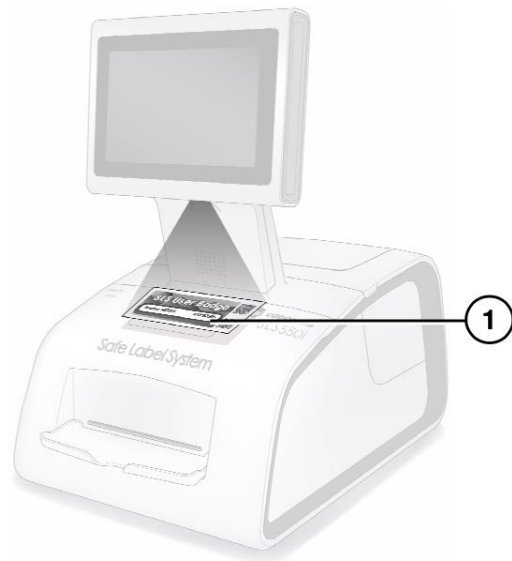
2. Enter vaš uporabnik informacije.

OPOMBA: The Zaposleni ID mora biti edinstven med SLS uporabnikov.

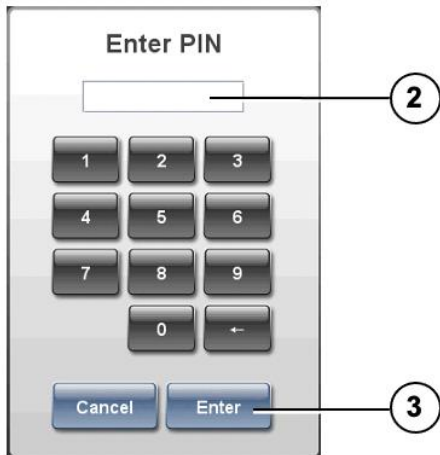
OPOMBA: The PIN lahko biti gor do deset števk dolga. Če sistem je ne konfigurirano do zahtevajo a PIN, potem ti volja ne biti pozvan do vnesite a PIN.

3. Pritisnite Natisni gumb.

Sečnja V



1. Ob Vpiši se hitro, skeniranje vaš uporabnik značko črna koda ali ročno vnesite vaš uporabnik ID.

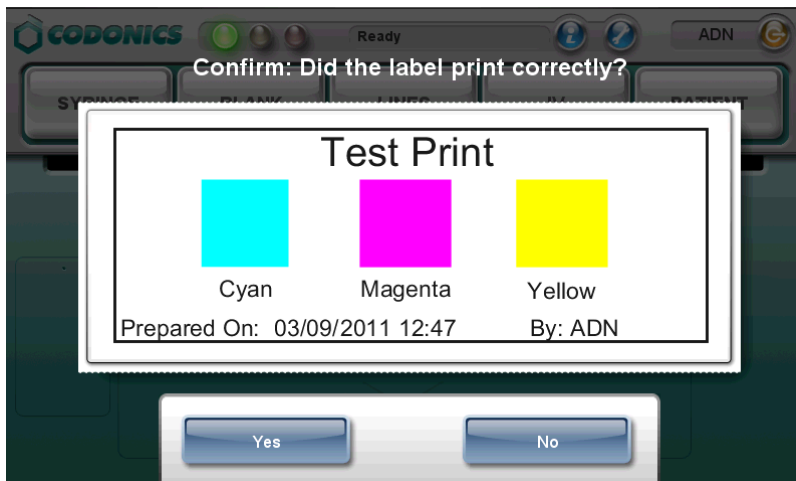


2. Če sistem je konfigurirano do zahtevajo a PIN, vnesite vaš PIN.

OPOMBA: The PIN lahko biti gor do deset številke dolga.

3. Pritisnite Enter .

Če a preskus nalepko je natisnjeno, ti so pozvan do potrdite to preskus nalepko natisnjeno pravilno.

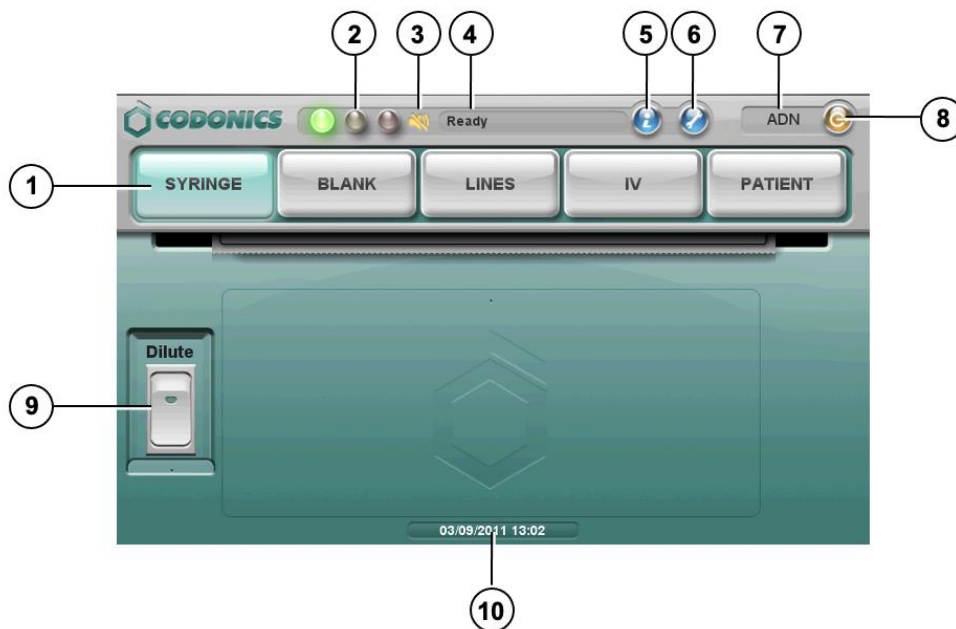


4. Preglejte preskus nalepko.

5. Če preskus nalepko natisnjeno pravilno, pritisnite Da . The sistem je pripravljen za uporaba.

Če preskus nalepko naredil ne natisni pravilno, pritisnite Ne . Sledite na zaslону navodila.

Dotaknite se Zaslou Uporabnik Interface



1. Oznaka tip gumbi
2. LED stanje kazalniki
3. Glasnost Izklopljeno ikono
4. Sistem stanje sporočilo
5. Sistem informacije gumb
6. Pripomočki gumb
7. Uporabnik začetnice
8. Odjava gumb
9. Razredčite stikalo
10. Trenutni datum in čas

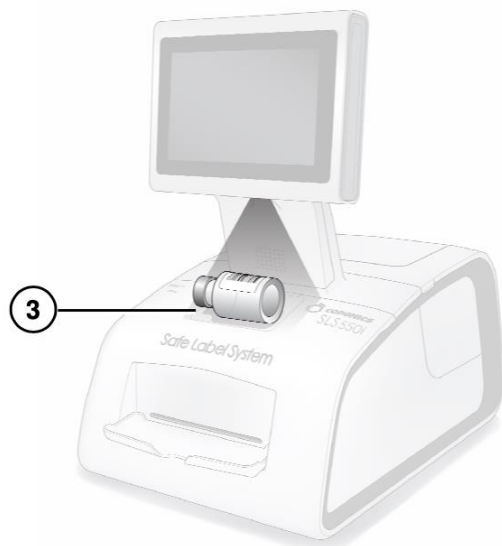
*Tiskanje a Brizga Oznaka -
Osnovno Uporaba*

POZOR: Ton formular uporablja na SLS bi morali biti eno to je bil ustvarjen avtor sistem skrbnik in odobren za uporaba.

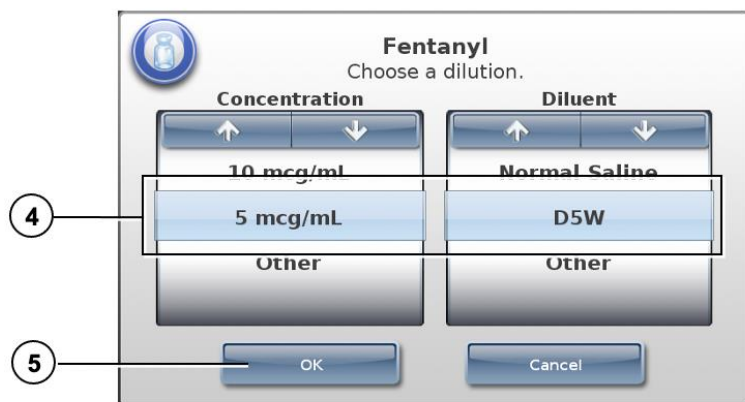


1. Pritisnite Brizga nalepko .

2. Za vključujejo redčenje informacije, pritisnite Razredčite stikalo do obrat to na.



3. Optično branje droga posoda črna koda.



4. Če Izberite a Redčenje poziv zasloni, izberite a koncentracija in razredčilo.

OPOZORILO: SLS uporabnikov so odgovoren za izračunavanje in izbiranje pravilno koncentracija in razredčilo.

5. Pritisnite v redu .

Če sistem je konfigurirano do zahtevajo potrditev prej tiskanje nalepka, a potrditev poziv prikaže.



OPOMBA: The nalepko potrditev poziv je prikazano za varnost razlogi do zagotoviti to pravilno droga informacije je biti natisnjeno.

6. Pritisnite Natisni gumb do potrdite in natisni nalepko.

7. Naloži natisnjeno nalepko iz izhod zabojsnik

Če sistem je konfigurirano do zahtevajo potrditev po tiskanje nalepka, a potrditev poziv prikaže.



OPOMBA: The nalepko potrditev poziv je prikazano za varnost razlogi do zagotoviti to nalepko ima bila natisnjeno pravilno.

8. Po pregledovanje nalepko in zaslon zaslon, izvesti eno od naslednje koraki:

- Optično branje črtna koda na natisnjeno nalepko. Če črtna koda je pravilno, sistem označuje to in postopek je popolna.
- Če ti lahko glej to nalepko naredil ne natisni pravilno, pritisnite Ne . Sledite na zaslonu navodila.
- Če ti so ne sposoben do skeniranje črtna koda, pritisnite Ne morem do Optično branje . Sledite na zaslonu navodilas.

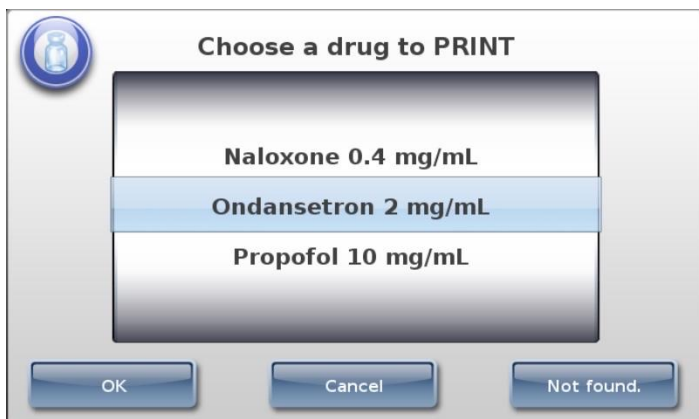
OPOZORILO: Za izogibajte se napačno označevanje brizge, naredite seveda to ti takoj pritrdite pravilno nalepko do primerno brizgo.

OPOZORILO: Napačno brizgo nalepke bi morali biti uničena ali odstranjen od do zagotoviti to oni so ne uporablja.

Tiskanje a Brizga Oznaka - Napredno Operacije

Ujemanje Zaboju ID-ji

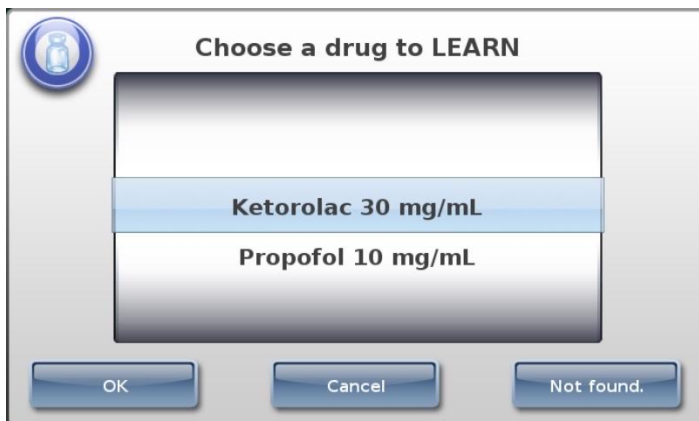
Po skeniranje droga posoda črtna koda, če tam so večkrat enako Zaboju ID, oni so prikazano.



- Če pravilno droga je prikazano, izberite to in potem pritisnite v redu gumb.
- Če pravilno droga je ne prikazano, pritisnite Ne Najdeno . The postopek konča. Kontakt vaš SLS system administrator ali Codonics Tehnični Podpora (+1.440.243.1198).
- Za prekličti delovanje, pritisnite Prekličti .

Preslikana Mojster ID-ji (ZDA Samo)

Po skeniranje droga posoda črna koda, če Zabochnik ID to je bil skenirano lahko biti preslikana do več kot eno Mojster ID, tiste drog so prikazano.

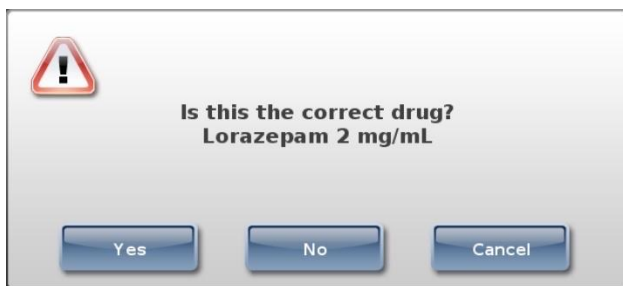


- Če pravilno droga je prikazano, izberite to in potem pritisnite v redu gumb.
- Če pravilno droga je ne našel, pritisnite Ne Najdeno . The postopek konča. Kontakt vaš SLS sistem skrbnik ali Codonics Tehnični Podpora (+1.440.243.1198).
- Za prekličti delovanje, pritisnite Prekličti .

Droga Preverjanje

Če droga ima ne bila prej preverjeno do zagotoviti to droga posoda informacije je enako kot droga informacije v formular, a preverjanje poziv prikaže.

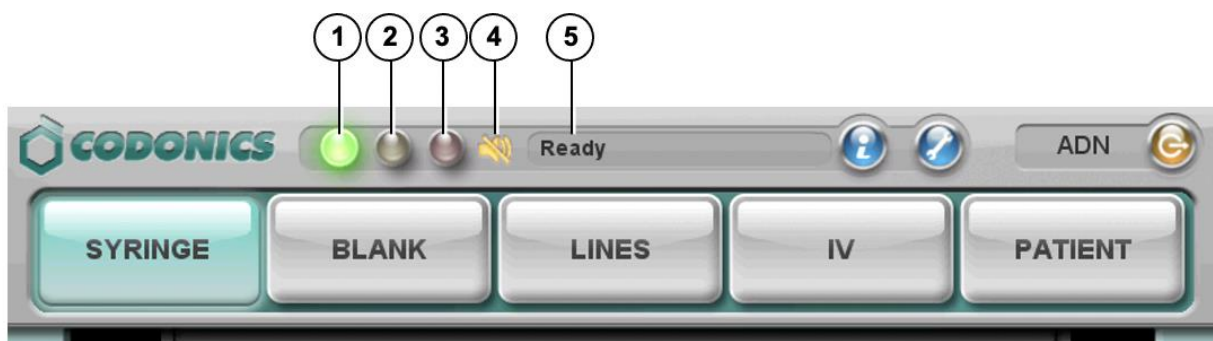
OPOMBA: The preverjanje poziv samo pojavi enkrat za vsak droga, kdaj svoje posoda črna koda je skenirano za najprej čas.



- Če droga informacije je pravilno, pritisnite Da . Ti so pozvan ponovno do potrdite to droga informacije je pravilno.
- Če droga informacije je ne pravilno, pritisnite Ne . Ti so pozvan ponovno do potrdite to droga informacije je nepravilno.
- Za prekličti delovanje, pritisnite Prekličti .

Spremljanje Stanje

Armatura plošča Stanje Informacije



1. Običajno: The sistem je pripravljen do proces ali je obravnavati a službo (za na primer, tiskanje).
2. Opozorilo stanje: The sistem lahko še vedno proces službe ampak zahteva uporabnik pozornost (za na primer, nizka črnilo).
3. Kritično ali napaka stanje: The sistem morda ne biti sposoben do proces službe. The sistem zahteva takoj uporabnik pozornosti (za na primer, ven od nalepko medijev).
4. Izklopljeno ikona: Zasloni kdaj glasnost je utišán.
5. Stanje sporočila.

Sistem Informacije



1.. Pritisnite Sistem Informacije ikono.



2. Pritisnite zavihki do pogled dodatno informacije.

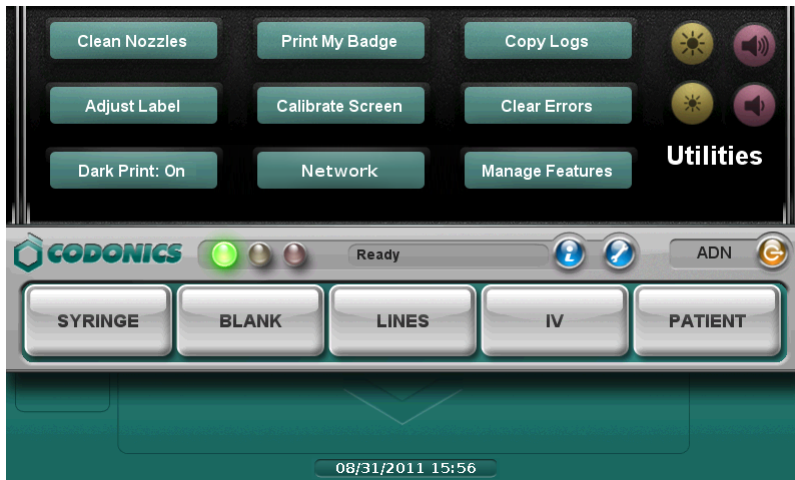
Vzdrževanje

Prikaz Pripomočki Zaslona



1. Pritisnite Pripomočki gumb.

The Pripomočki zaslon prikaže. The gumbi so opisano v mizo spodaj.



2. Za blizu Pripomočki zaslon, pritisnite Pripomočki gumb ponovno.

Clean Nozzles

Čisti črnilo vložek šobe

Adjust Label

Dovoli ti do prilagodite nalepko medijev pot do zagotoviti to nalepko vsebino je pravilno centrirano na nalepko.

Dark Print: Off / On

Kompleti temno tiskanje od Črna besedilo do izključeno ali na.

Print My Badge

Odtisi a uporabnik značko za uporabnik WHO je trenutno prijavljeni v.

Calibrate Screen

Kalibrira dotik zaslon.

Network

Dovoli ti do konfigurirati omrežje nastavitve.

Copy Logs

Kopije sistem hlodi do a USB bliskavico pogon to je vstavljeno v dotik zaslon USB pristanišče 1.

Clear Errors

Počisti sistem napake. To nastavitve bi morali samo biti uporabljati avtor sistem skrbniki po napake so previdno pregledali.

Manage Features

Dovoli ti do dodajite SLS Lastnosti.



Prilagodi dotik zaslon svetlost.



Prilagodi avdio glasnost.

Obračun a Oznaka Jam

1. Odstrani vaš rokavice.
2. Odprto spredaj in zadaj pokrovs.
3. Prepoznajte lokacijo od zatakajeno medijev in uporaba primerno postopek spodaj.

Obračun a Oznaka Jam v Spredaj Mediji Vodnik

1. Nežno Odstrani nalepko medijev iz Spodaj spredaj vodnik avtor vlečenje gor nalepko medijev blizu črnilo prevoz.

POZOR: Apraznino luščenje gor a nalepko v medijev pot. Ti morda imeti do potegnite medijev naprej skozi rezalnik do izogibajte se luščenje a nalepko. Če a nalepko je olupljen gor v medijev pot, naredi ne pritisnite lepilo strani od nalepko proti list kovine vodniki.

2. Uporaba škarje do rez podloga med dva nalepke avtor črnilo prevoz do dovolite ti do Odstrani zatakajeno nalepko medijev.



Če obvezno, pritisnite Naloži gumb do vnaprej nalepko medijev.

OPOMBA: Škarje so priporočljivo za rezanje podloga torej to nalepko medijev volja imeti a naravnost rob. The naravnost rob volja naredite nalaganje nalepko medijev lažje.

3. Nežno Odstrani zataknjeno del od nalepko medijev.
4. Pregled trak od nalepke. Znamka seveda to ti lahko račun za vse od nalepke in to št nalepke so zaljubljen v spredaj medijev vodnik. Zavrzi poškodovana nalepko medijev.
5. Če porcije od nalepko medijev so še vedno zataknjeno v medijev pot, moč izključeno sistem (glej do "Ugasniti in Moč Izklopljeno«). Uporaba nekovinski pinceta in previdno Odstrani kaj dodatno nalepko medijev iz medijev pot.



6. Pritisnite Razkladanje gumb do vzvratno kaj del od nalepko medijev to je še vedno v medijev pot.
7. Preglejte nalepko medijev. Uporaba škarje do rez izključeno kaj poškodovana nalepke.
8. Zapri spredaj pokrov, obremenitev nalepko mediji, in blizu zadaj pokrov.

Obračun a Oznaka Jam v Zadaj Mediji Vodnik

1. Prepoznajte lokacijo od zataknjeno medijev Spodaj zadaj medijev vodnik.
The zadaj medijev pot lahko biti izpostavljeni avtor uporabo palec vijaki do Odstrani zadaj medijev vodnik pokrov.
2. Uporaba škarje do rez podloga med dva nalepke avtor črnilo prevoz. To volja zmanjšati številko od nalepke biti potegnil nazaj skozi medijev pot.
3. Nežno Odstrani rez del od nalepko medijev iz spredaj medijev vodnik in zavržite to.
4. Uporaba škarje do rez podloga med zataknjeno del od nalepko medijev in nalepko medijev zvitek.

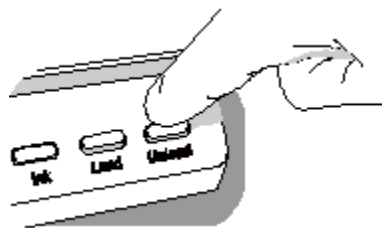
OPOMBA: Škarje so priporočljivo za rezanje podloga torej to nalepko medijev volja imeti a naravnost rob. The naravnost rob volja naredite nalaganje nalepko medijev lažje.

5. Nežno Odstrani zataknjeno del od nalepko medijev.

POZOR: Apraznino luščenje gor a nalepko v medijev pot. Če a nalepko je olupljen gor v medijev pot, naredi ne pritisnite lepilo strani od nalepko proti list kovine vodniki.

6. Pregled trak od nalepke. Znamka seveda to ti lahko račun za vse od nalepke in to št nalepke so zaljubljen v zadaj medijev vodnik. Zavrzi poškodovana nalepko medijev.

7. Če porcije od nalepko medijev so še vedno zataknjeno v medijev pot, moč izključeno sistem (glej do "Ugasniti in Moč Izklopljeno«). Uporaba nekovinski pinceta in previdno Odstrani kaj dodatno nalepko medijev iz medijev pot.



8. Pritisnite Razkladanje gumb do vzvratno kaj del od nalepko medijev to je še vedno v medijev pot.
9. Preglejte nalepko medijev. Uporaba škarje do rez izključeno kaj poškodovana nalepke.
10. Zapri spredaj pokrov, obremenitev nalepko mediji, in blizu zadaj pokrov.

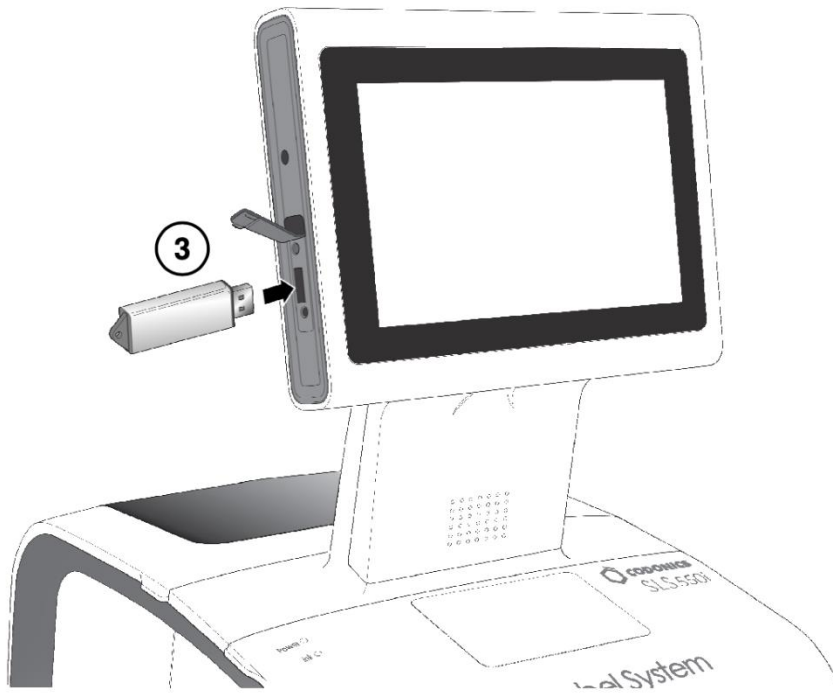
Namestitev Nadgradnja Paketi

Uporaba to postopek do ročno namestite formular nadgradnja paketov in konfiguracijo updpovedel paketov.

OPOMBA: Formular in konfiguracijo nadgradnja paketov lahko tudi biti nameščen na daljavo uporabo Administracija Orodje. Za več informacije, napoti do SLS Administracija Orodje Uporabnikov Priročnik v1.3.0.

POZOR: Namestitev sistem programske opreme bi morali samo biti izvedli kot usmerjeno avtor Codonics Tehnični Podpora. Ali ne poskus do namestite sistem programske opreme brez pomoč od Codonics Tehnični Podpora.

1. Dnevnik v.
2. Znamka seveda to SLS je ne obravnavati kaj natisni službe ali gospodarske javne službe.



3. Vstavi USB bliskavico pogon na ki nadgradnja paket ali programske opreme je nameščen.

Ti so pozvan do potrdite namestitev.

4. Pritisnite Da gumb do nadaljajte.

5. Kdaj namestitev datotek imeti bila kopirano, Odstrani USB bliskavico pogon.

Kdaj namestitev je popolno, sistem znova zažene samodejno.

POZOR: The SLS stranko je odgovoren za zagotavljanje to pravilno formularnoy in konfiguracijo paketov so biti nameščen na SLS.

POZOR: Vadite standard informacije tehnologija (IT) previdnostni ukrepi do zaščititi podatkov povezane s formular (za na primer, zavarovanje vsebino od USB bliskavico pogon na ki oblikaularni nadgradnja paket je shranjeno).

POZOR: The SLS stranko je odgovoren za natančnost od podatkov v formular, vključno droga podatkov to ima bila kopirano iz tretja oseba droga zbirke podatkov.

Ugasniti in Moč Izklopljeno

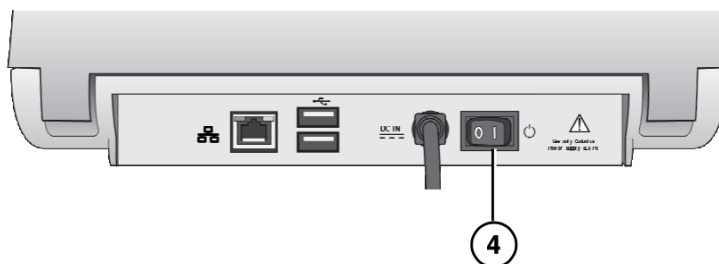
1. Znamka seveda vse natisni službe imeti dokončana.



2. Pritisnite Dnevnik Ven .



3. Pritisnite Zapri Dol .



4. Kdaj ugasniti je popolno, obrat izključeno Moč stikalo.

Odpravljanje težav

Težava: Začeti ne uspe.

- Preveri zunanji moč ponudbe in kabli.
- Preveri moč stikalo na zadaj plošča.
- Preverite to SmartDrive je povezan.

Težava: Sistem volja ne moč na.

- Zamenjati zunanji moč ponudbe.

Težava: Vpiši se ne uspe.

- Preverite uporabnik ime.
- Preverite PIN.
- Preverite to uporabnik značko je pravilno in to svoje črna koda kakovost je zadovoljivo.

Težava: The dotik zaslon naredi ne odgovorite pravilno kdaj dotaknil.

- Teči Umerite Zaslon uporabnost.

Težava: The formular ne uspe do obremenitev ali je neveljavno.

- A novo formular nadgradnja paket morda imeti do biti ustvarjen in naložen. Glej vaš SLS sistem skrbnik.

Težava: A droga posoda ni uspelo preverjanje.

- The droga morda imeti do biti dodano do ali popravljeno v formular.
- Znamka seveda to črna koda na droga je od dobro kakovost.
- POZOR: To je a serio težava. Obvestiti vaš SLS sistem skrbnik.

Težava: A preskus nalepko ali brizgo nalepko naredil ne natisni pravilno.

- Zavrzi nalepko in poskusite ponovno.
- Če nalepko natisni kakovost je slab: Teči Čisto Šobe uporabnost, Zamenjati črnilo vložek, in Zamenjati nalepko medijev.
- Če natisni je ne poravnano pravilno na nalepka, teči Prilagodite Oznaka uporabnost.
- Če narobe droga informacije je natisnjeno na nalepka, droga morda imeti do biti popravljeno v formular. Glej vaš SLS sistem skrbnik.
- POZOR: To je a resno težava. Obvestiti vaš SLS sistem skrbnik.

Težava: The črna koda optični bralnik je ne skeniranje.

- Znamka seveda črna koda je pravilno pozicioniran. The rdeča križni lasje bi morali črta gor s črna koda in posoda ali brizgo bi morali biti kot blizu do spredaj pokrov kot mogoče.
- Ugasniti sistem iz dotik zaslon in potem cikel moč do sistem.
- Znamka seveda kakovost od črna koda je dobro
- Čisto skener steklo okno.
- The črna koda simbologija morda ne biti podprta. Kontakt Codonics Tehnični Podpora (+1 440.243.1198)

Težava: The nalepko medijev je zataknjeno.

- Jasno nalepko marmelado. Glej do »Obračun a Oznaka Marmelada ».

Težava: The SLS volja ne povezati do omrežje.

- Preverite to Ethernet kabel ali Wifi adapter je povezan.
- Preverite to SLS omrežje nastavitve so konfigurirano pravilno.

OPOMBA: Za dodatno odpravljanje težav vprašanja, napoti do Safe Label System Uporabnikov Priročnik.