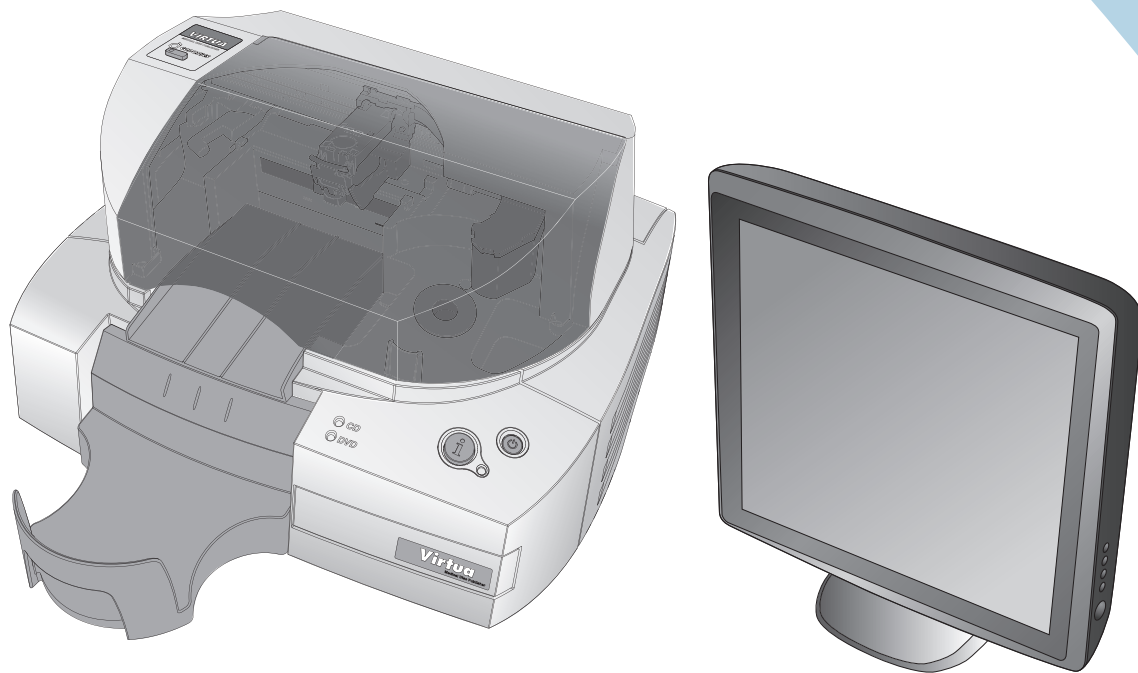




CODONICS

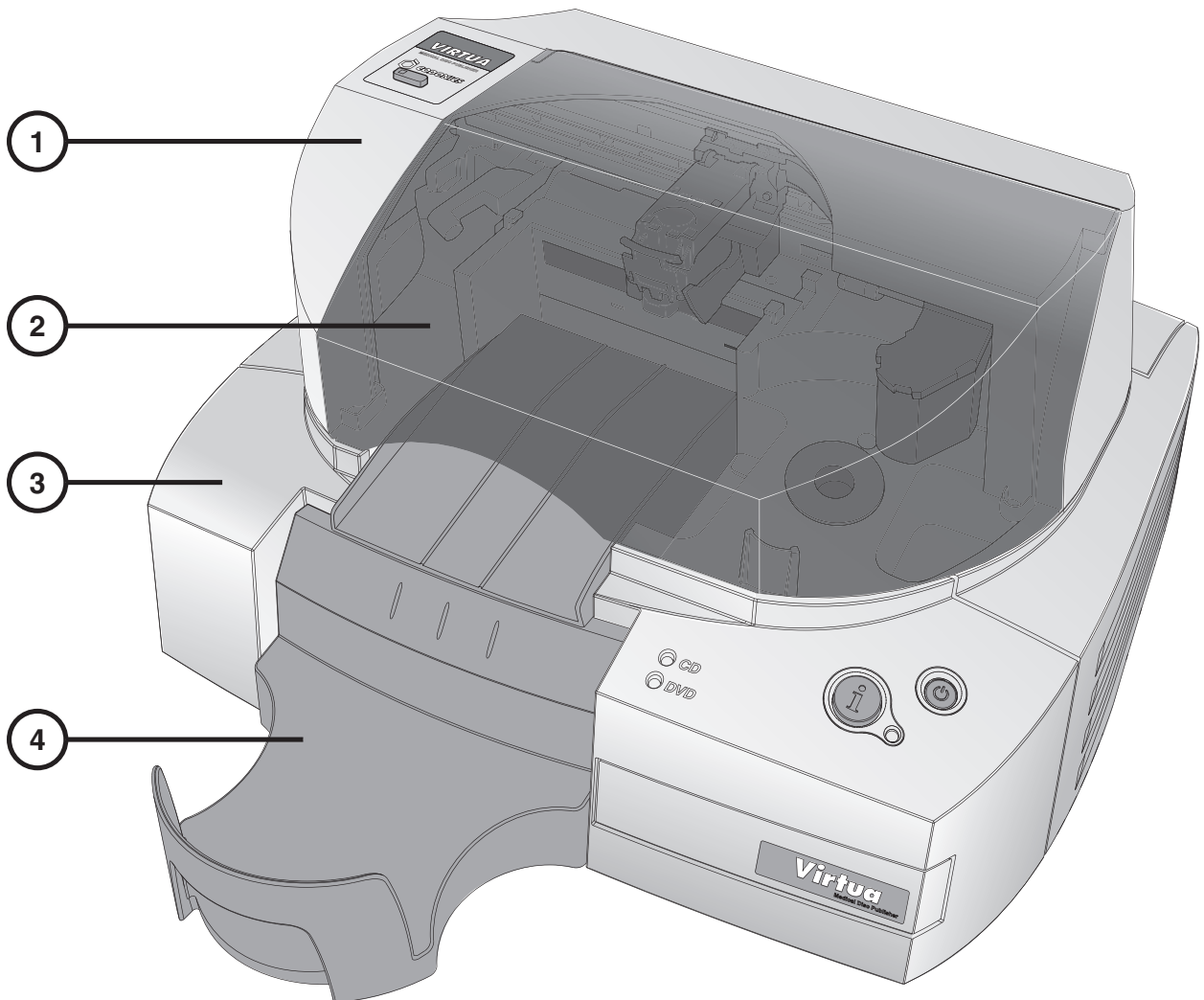


en *Virtua[®] E Reference Guide*

Table of Contents

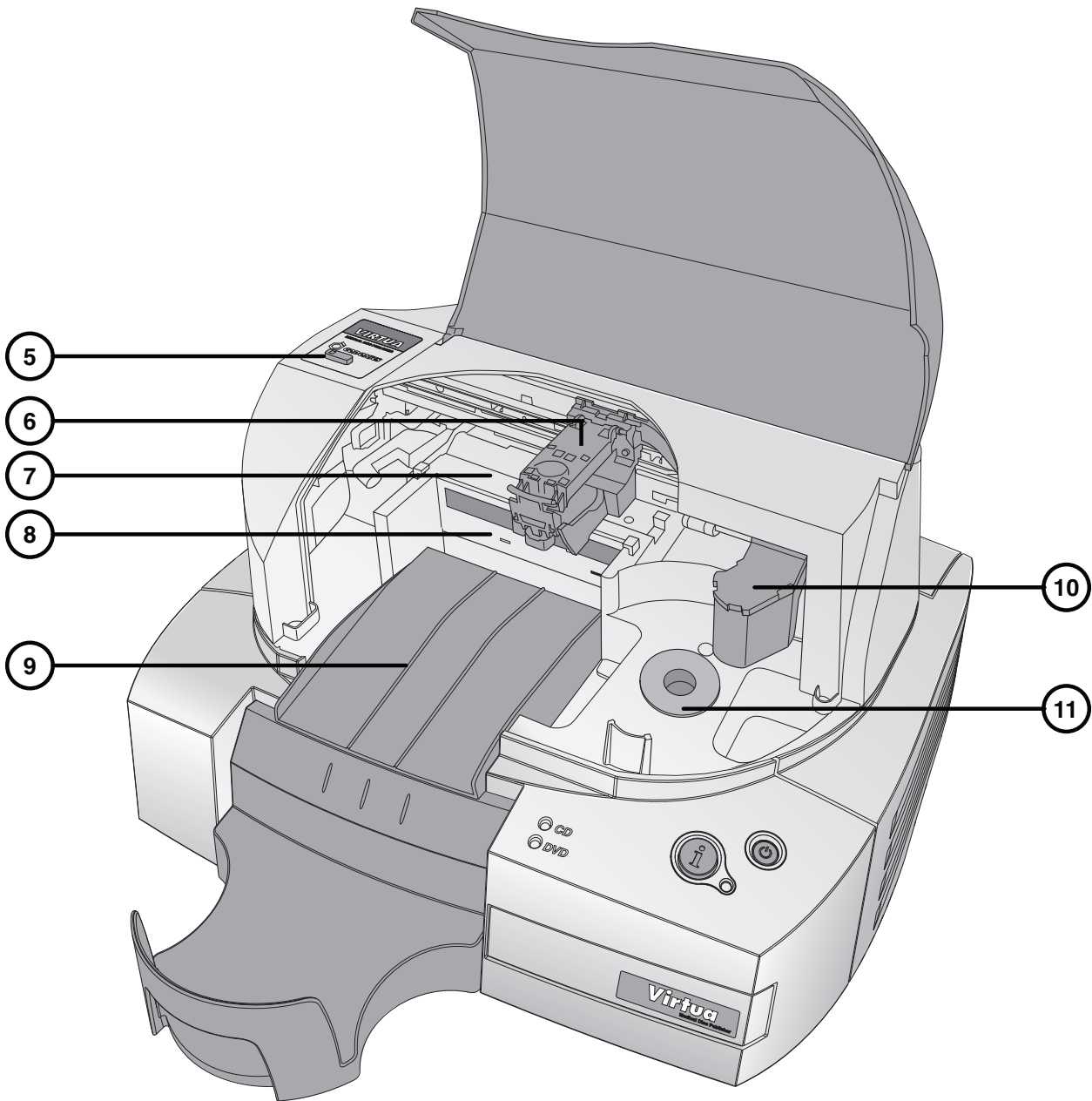
Components	1
Assembly	6
Startup	13
Media Loading	15
System Status.....	18
Shutdown.....	19
SmartDrive Configuration	20
DICOM Host Set-up.....	23
Virtua E Configuration	24
Record Studies	31
Software Installation	35
Troubleshooting.....	36
Product Information	37

Components



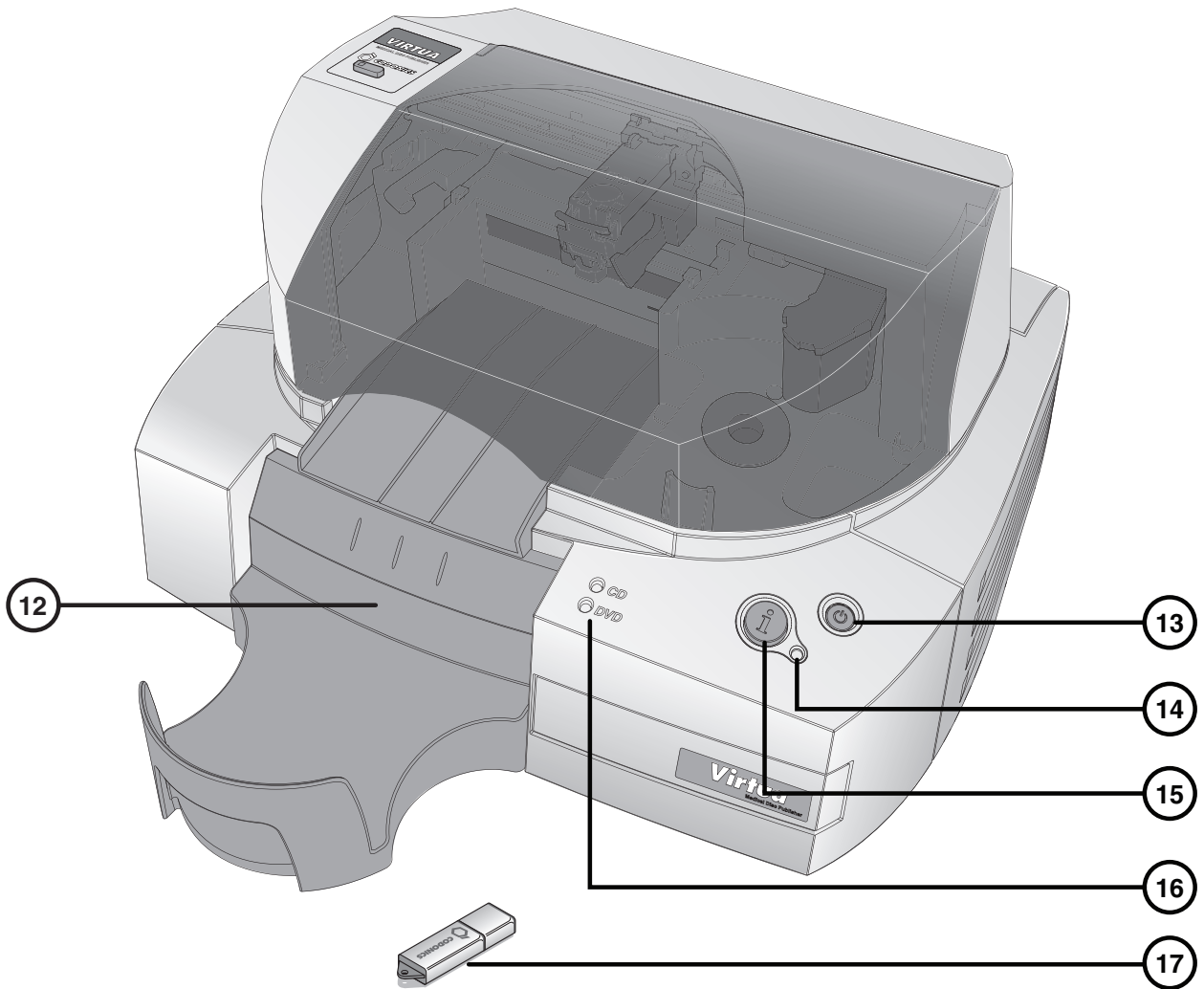
- 1. Recorder
- 2. Recorder cover

- 3. Controller
- 4. Output bin



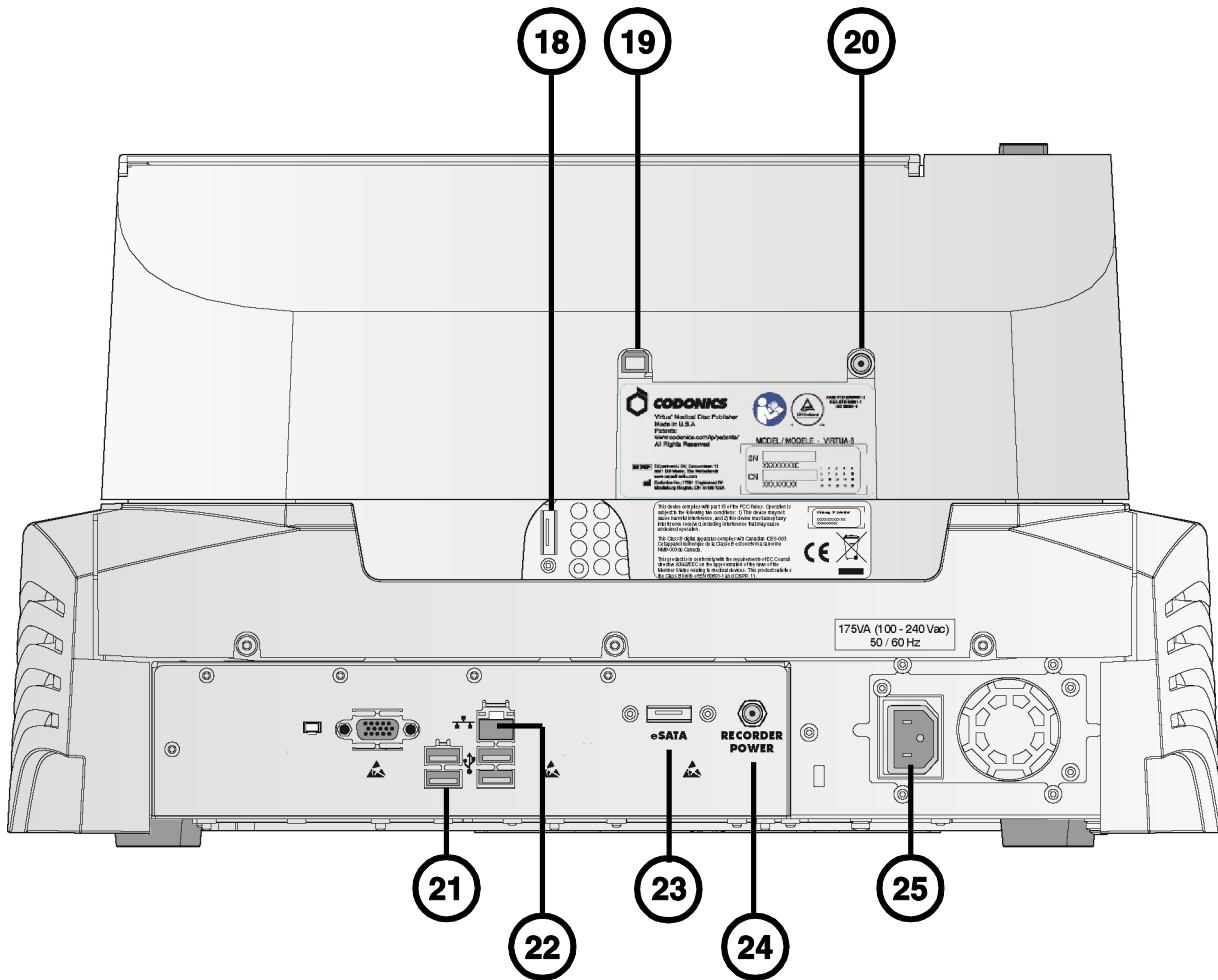
- 5. Ink Cartridge Load button and light
- 6. Ink Cartridge carrier
- 7. Printer tray
- 8. CD/DVD optical drive

- 9. Eject ramp
- 10. Robotic disc transporter
- 11. Input bin



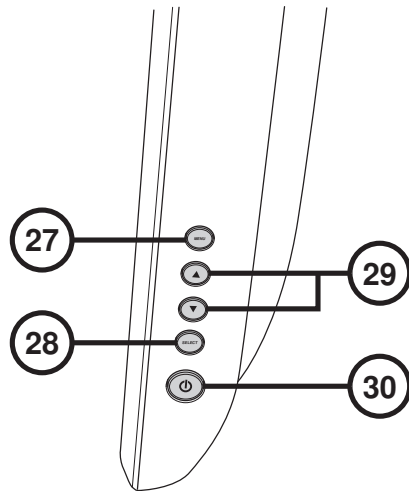
- 12. SmartDrive USB port (behind output bin)
- 13. System power button
- 14. System status light

- 15. System Information button
- 16. CD and DVD Status lights
- 17. SmartDrive



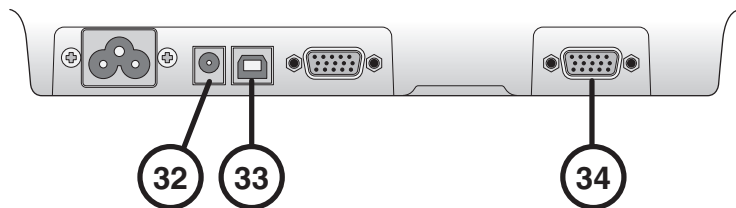
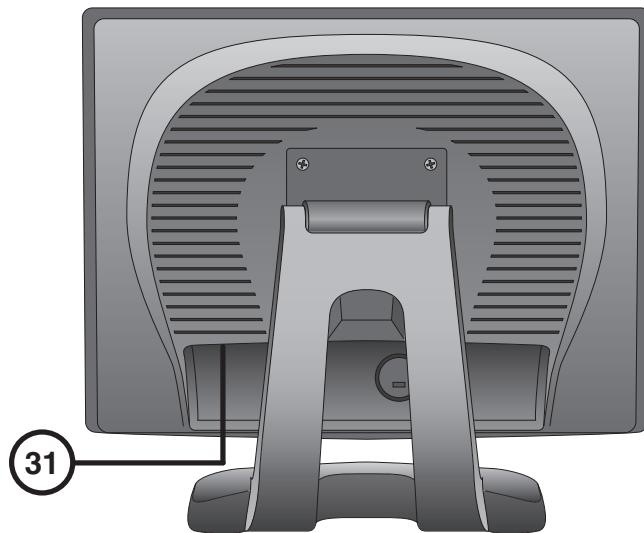
- 18. Recorder eSATA port
- 19. Recorder USB 2.0 port
- 20. Recorder power port
- 21. Controller USB 2.0 ports (4)

- 22. Controller Ethernet port
- 23. Controller eSATA port
- 24. Controller Recorder power port
- 25. Controller power input port



26. Display/exit on-screen menus
27. Select adjustment item

28. Contrast and Brightness settings
29. Power button



30. Display ports (underside of cut-out)
31. Power adapter port

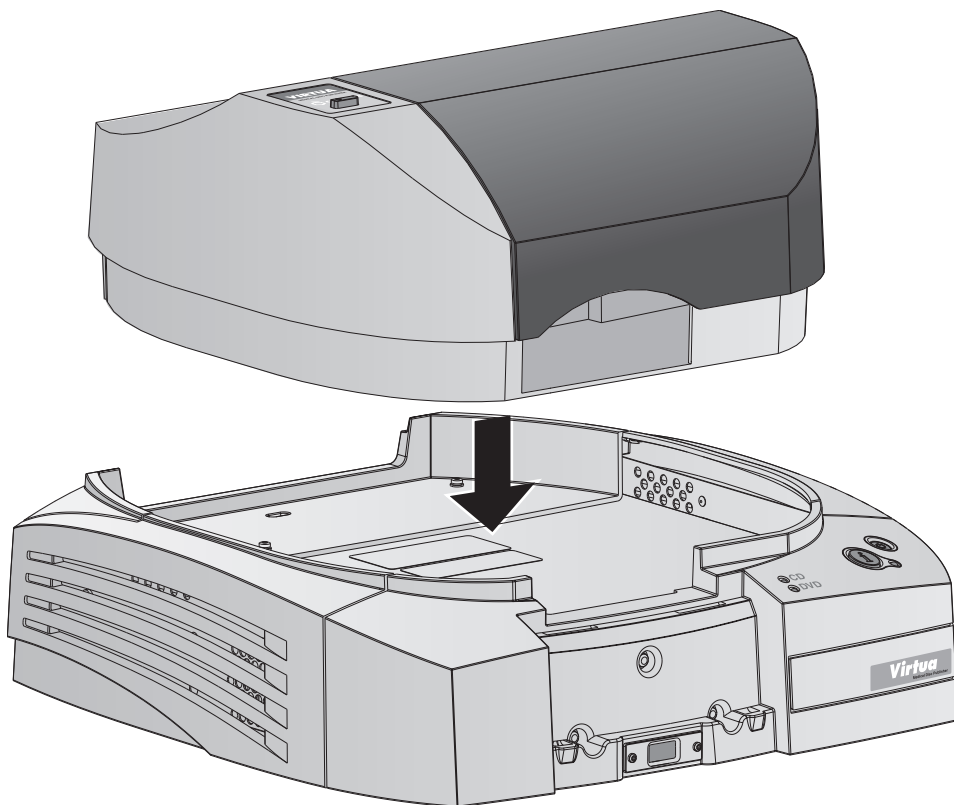
32. USB port
33. VGA port

Assembly

NOTE: A complete User's Manual is included on the Accessories and Manuals disc. The User's Manual includes additional details and safety notices.

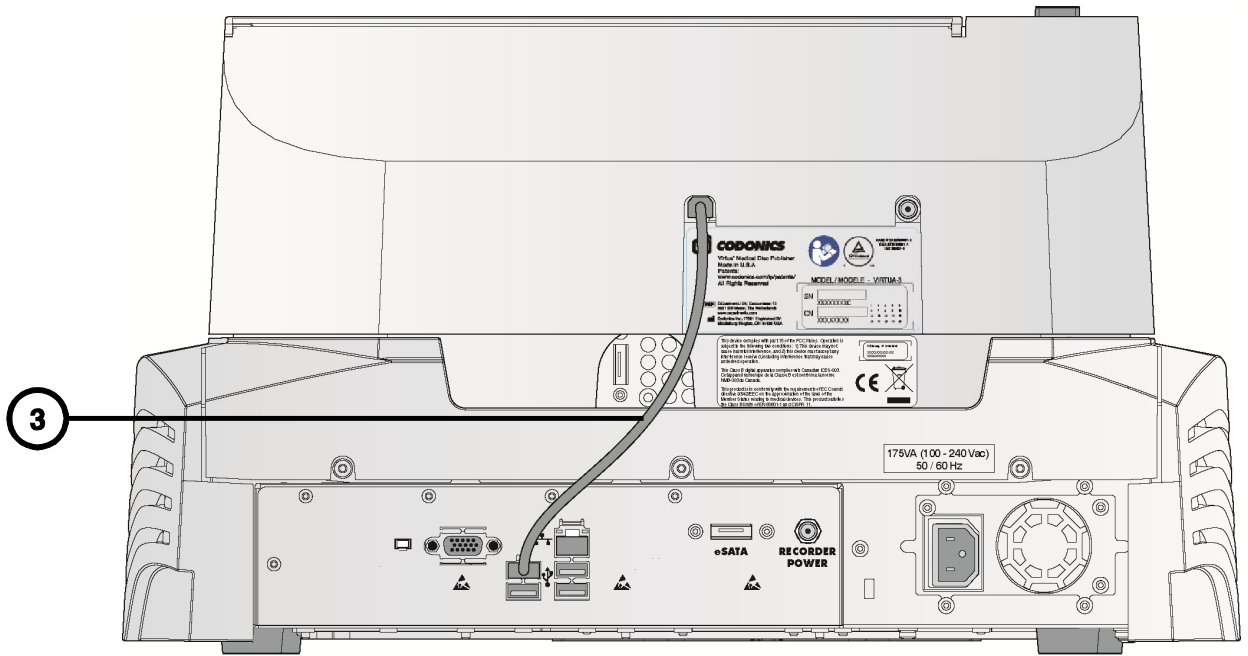
1. Place the Controller on a solid level surface.

NOTE: For proper airflow, allow approximately 4 in. (10 cm) around the Controller.

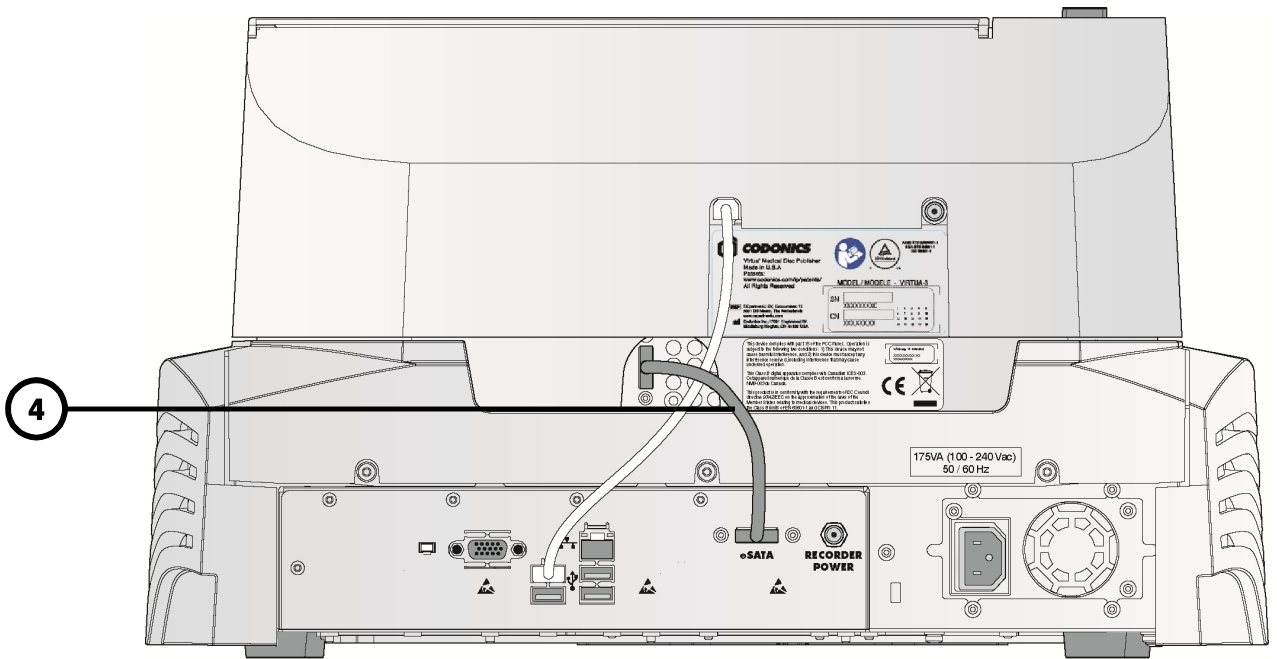


2. Place the Recorder on the Controller.

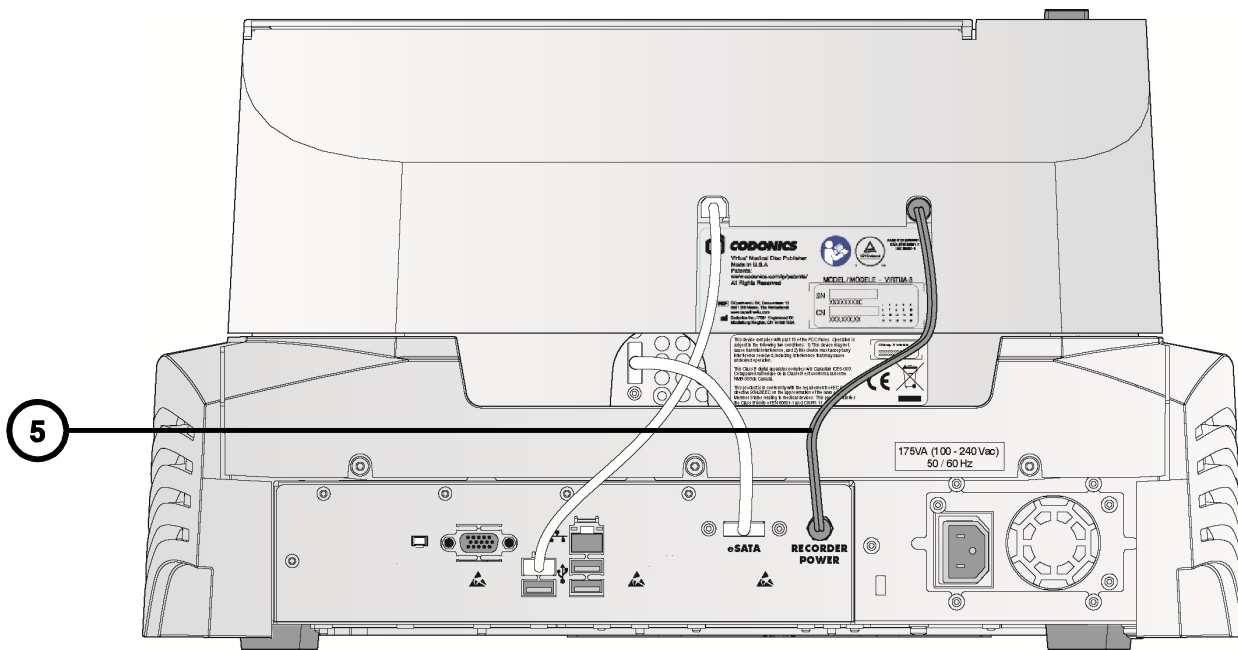
NOTE: Use care to avoid pinching fingers.



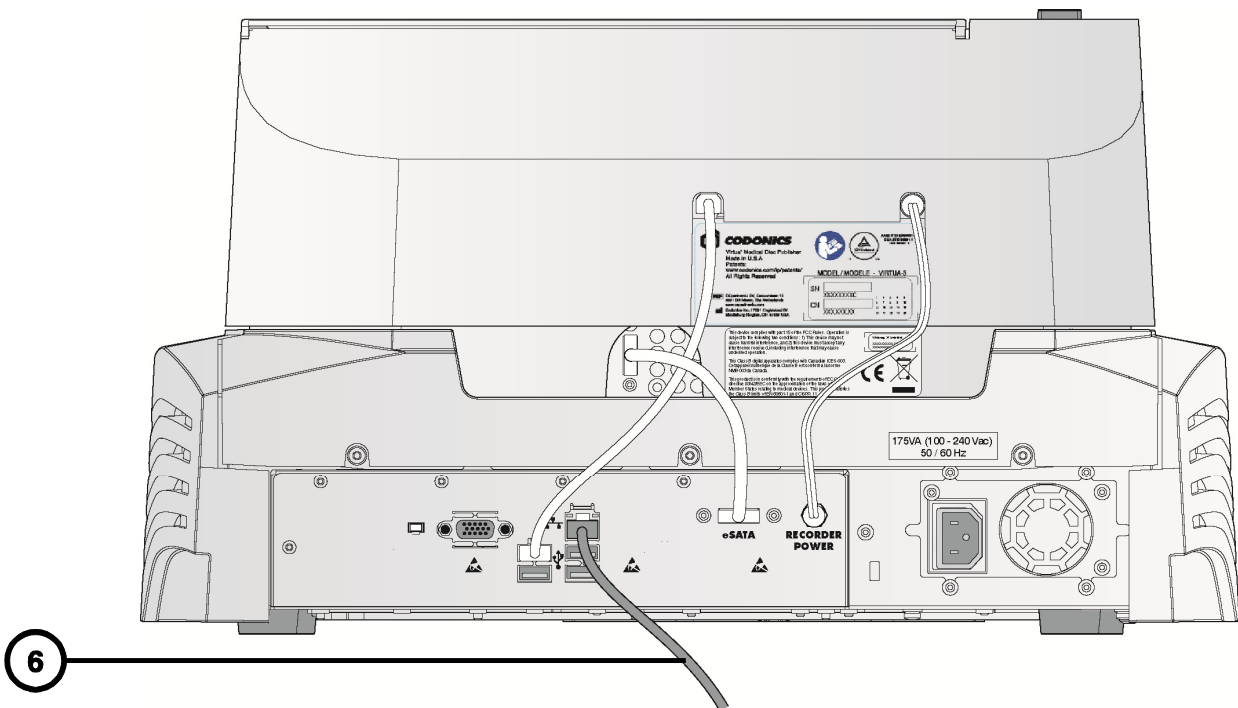
3. Connect the USB cable between the Controller and the Recorder.



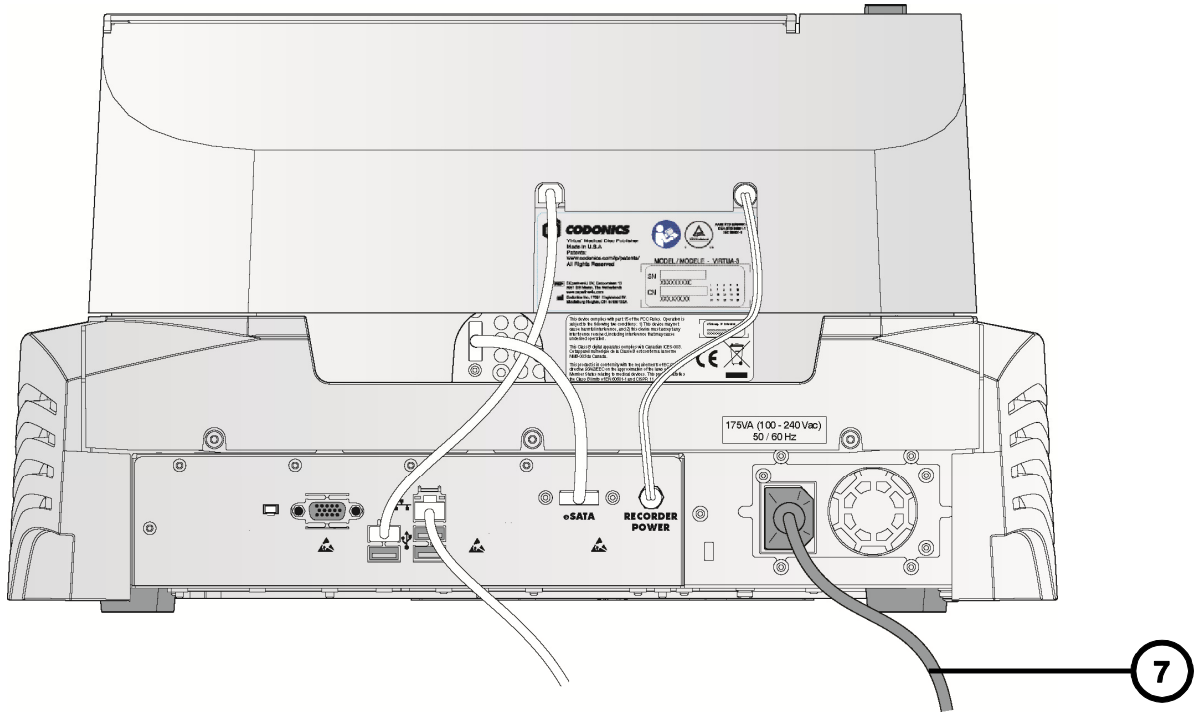
4. Connect the eSATA cable between the Controller and the Recorder.



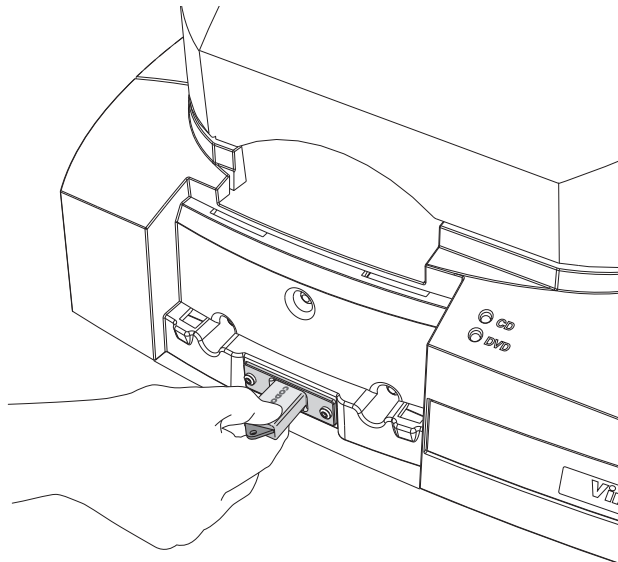
5. Connect the Recorder power cable between the Controller and the Recorder.



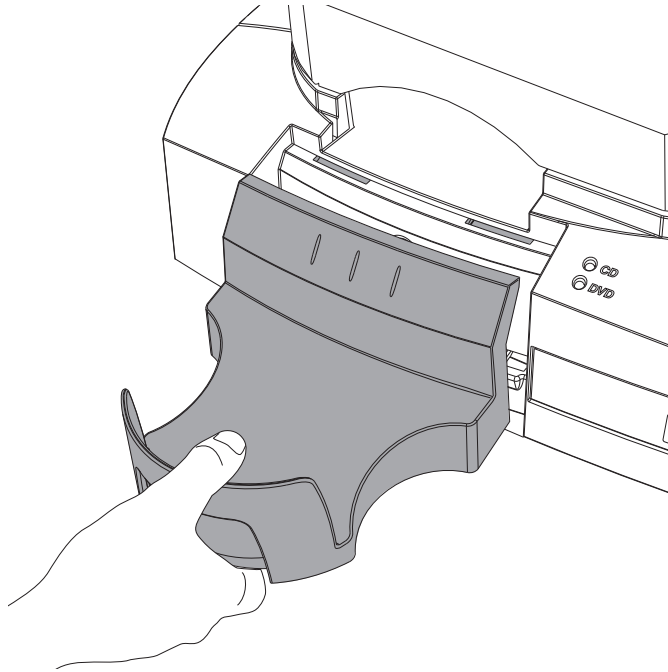
6. Connect the Ethernet cable.



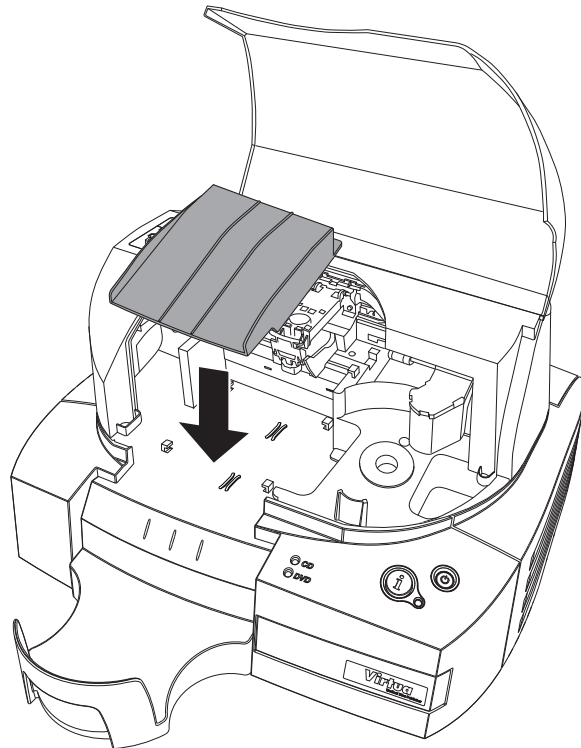
7. Connect the Controller power cord.
8. Configure the SmartDrive according to “SmartDrive Configuration” on page 17.



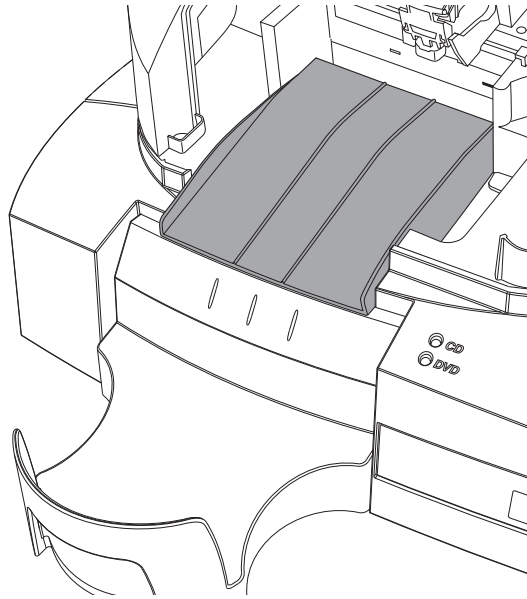
9. Install the SmartDrive.
- 10.



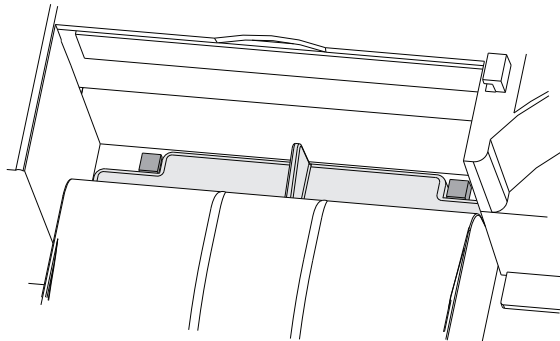
- 11. Install the output bin.**
- 12. Open the top cover.**



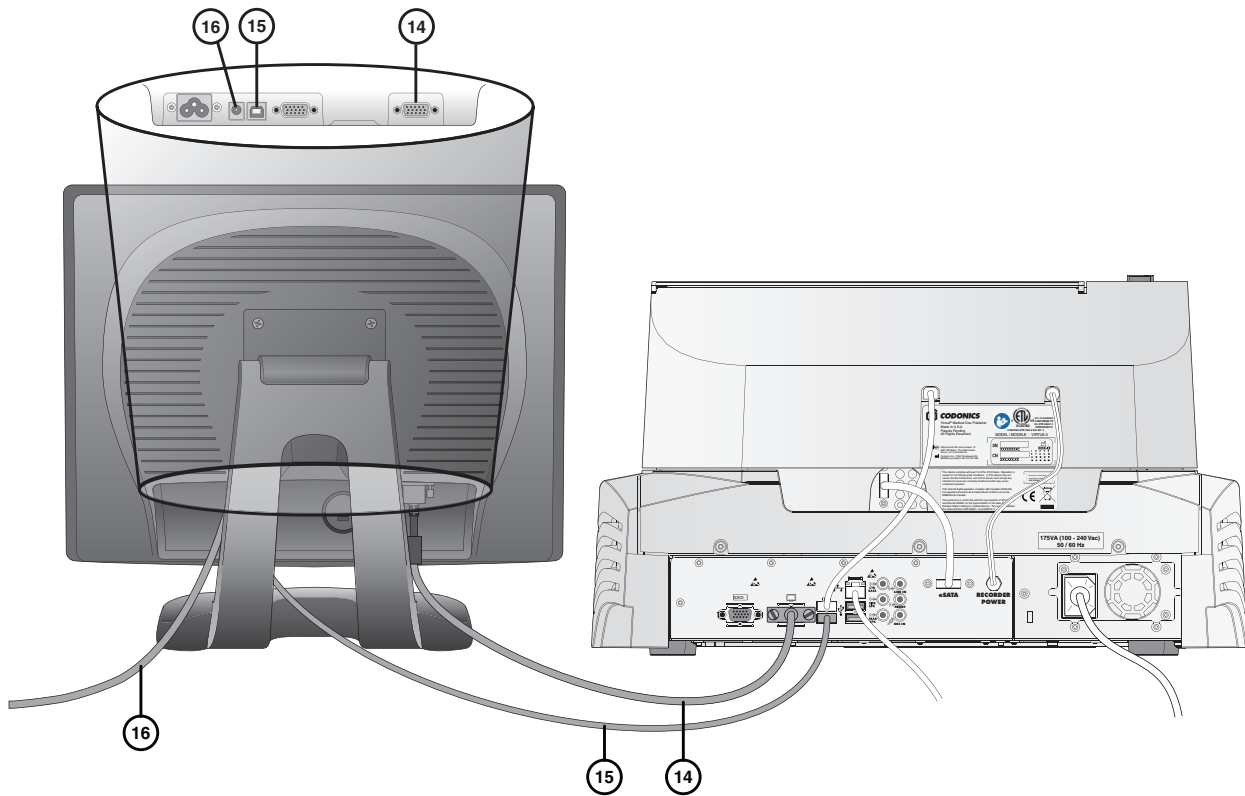
- 13. Install the ramp.**



14. Make sure that the ramp is fully seated on the Recorder floor.



NOTE: The two cutouts on the back edge of the rear lip of the ramp should be up against the tabs, not on top of them.



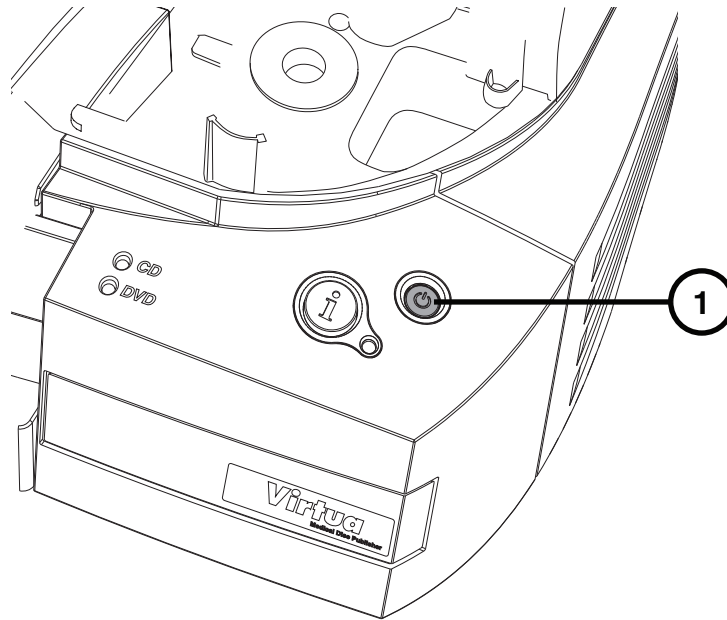
15. Connect the VGA cable between the Display and the Controller.

16. Connect the Display USB cable between the Display and the Controller.

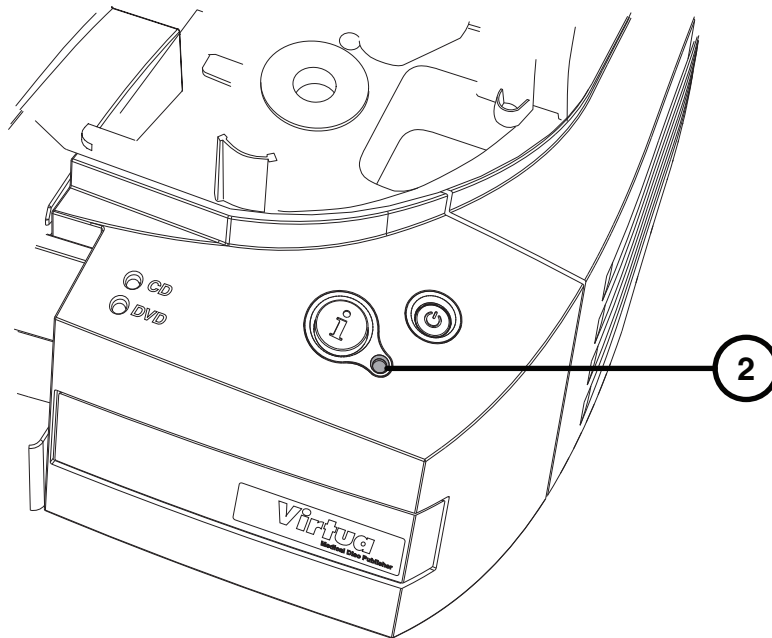
17. Connect the Display power adapter cable to the Display, and the power adapter power cord to the same power outlet/circuit as the Controller.

CAUTION: The Display and Controller must be connected to the same power outlet/circuit.

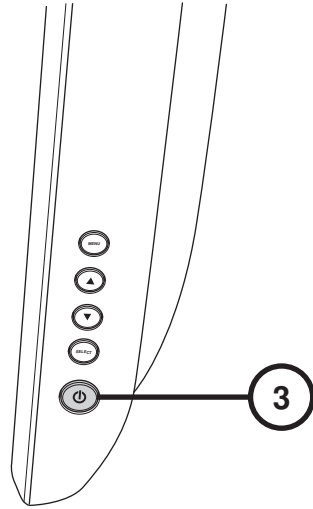
Startup



1. Press the Controller power button.



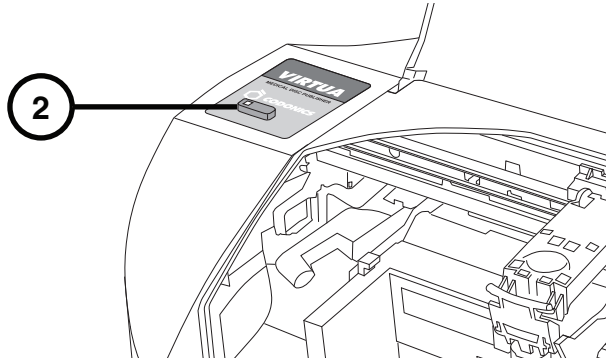
2. Wait for startup to complete, indicated when the System status light is on. The light will be red if there is no ink cartridge installed.



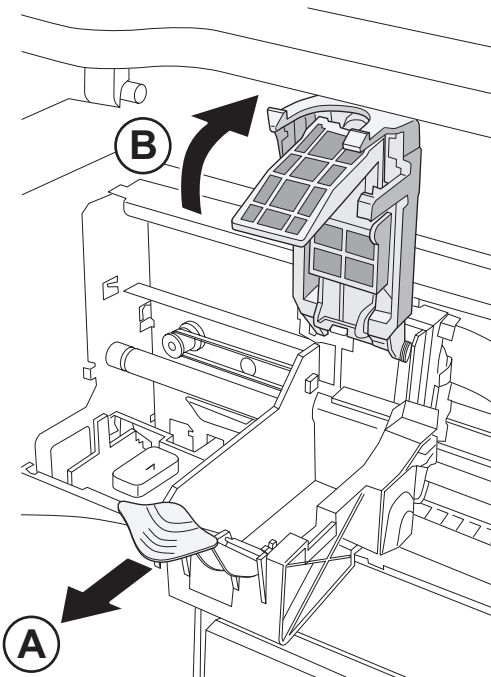
3. Press the Display power button.

Media Loading

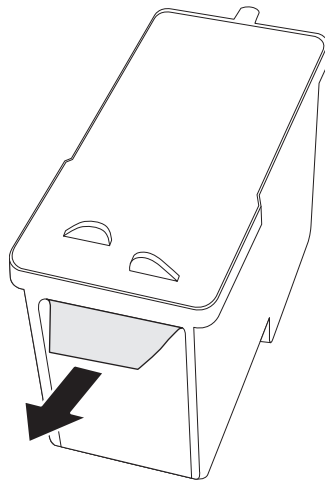
1. Open the Recorder top cover.



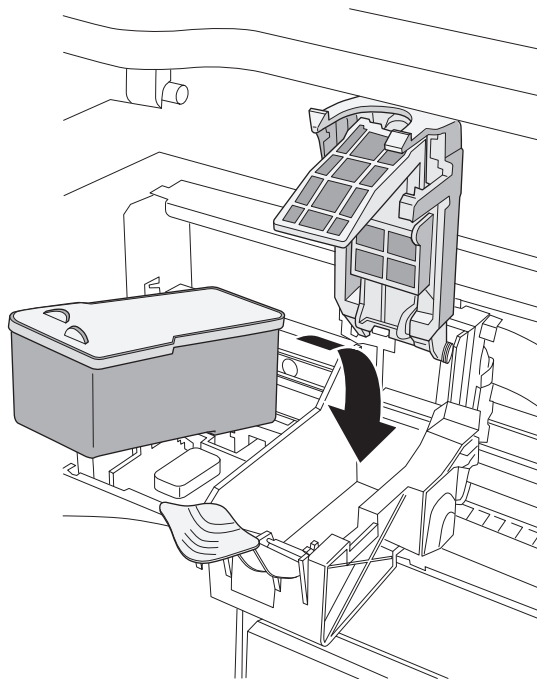
2. Press the Ink Cartridge Load button.
3. Wait for the ink cartridge carrier to finish moving from the disc transporter.



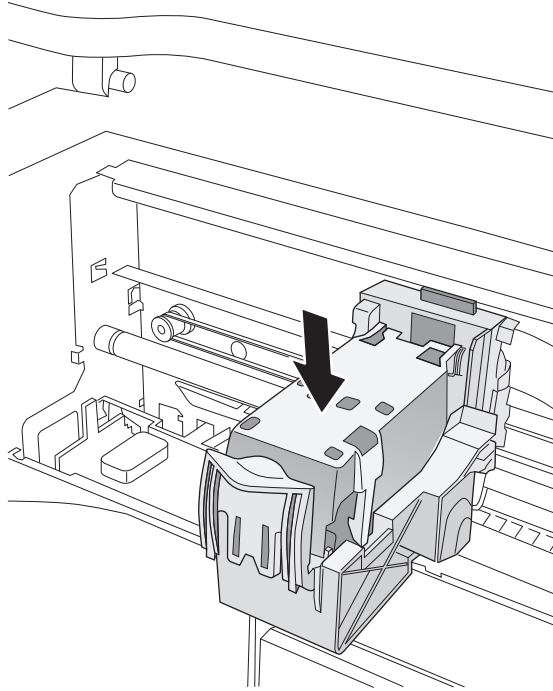
4. Open the ink cartridge carriage.



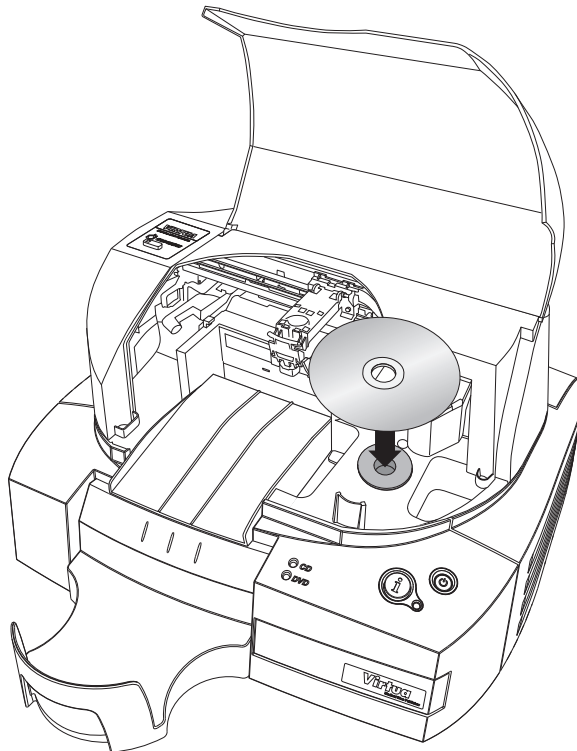
5. Remove the color ink cartridge tape.



6. Install the color ink cartridge.



7. Close the ink cartridge carriage.

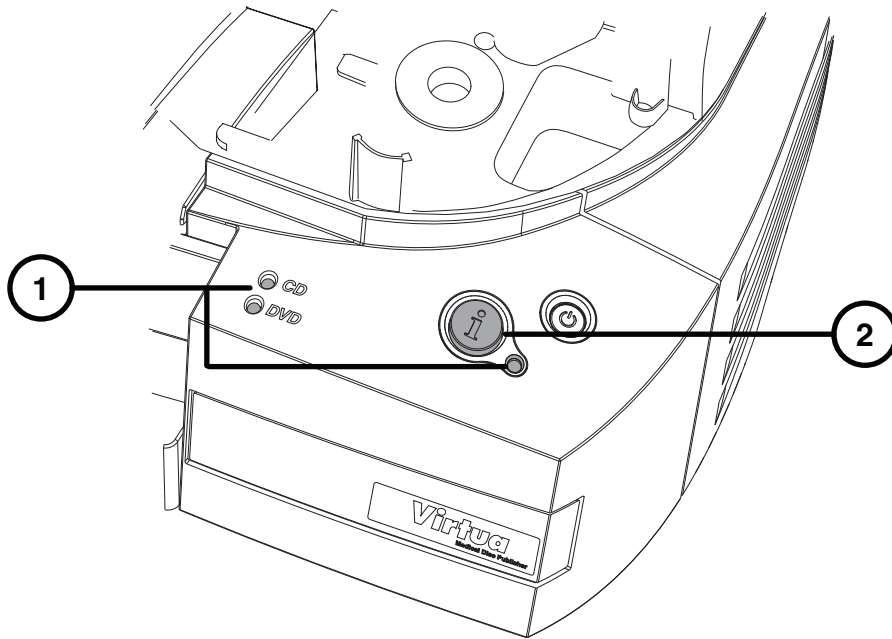


8. Load the discs (white side up).

CAUTION: Do not load clear protective discs.

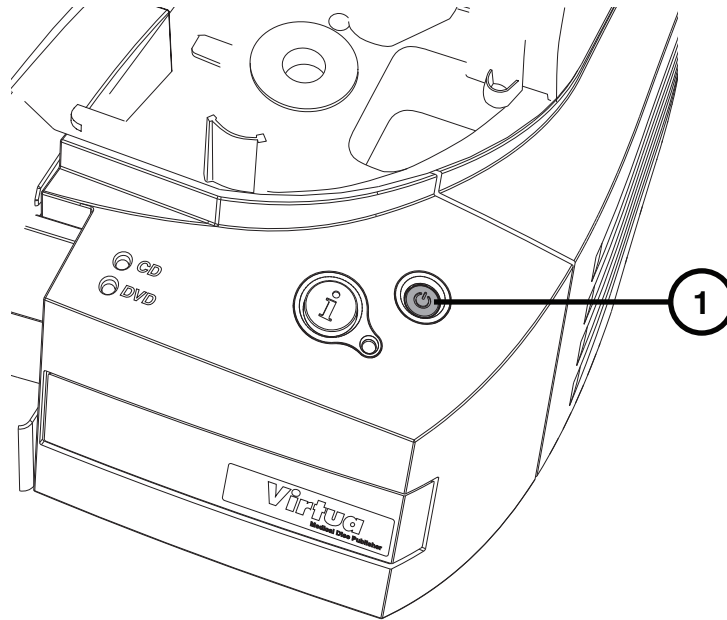
9. Close the Recorder cover.

System Status

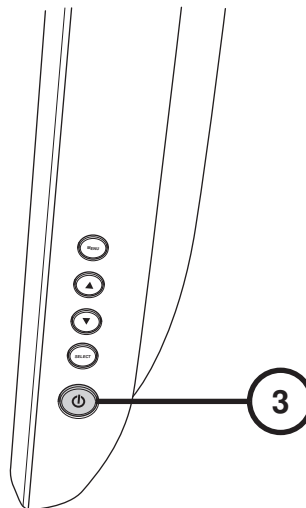


1. View the CD, DVD, and System status lights to see system status.
2. Press the System Information button to hear narrated system status messages.

Shutdown



1. Press and hold the System power button for about a second.
2. Wait for the lights to turn off.



3. Press the Display power button to turn off the Display.

SmartDrive Configuration

Remove the SmartDrive for Profile Editing

1. If the SmartDrive is installed in the Controller, shut down Virtua E and remove the SmartDrive.
2. Insert the SmartDrive in a PC.

Set Network Information

1. Use a text editor to edit the file: \profiles\network\network.default.txt.
2. Make desired changes to:
 - **ipAddress** (the default static IP address is 192.168.1.202).
 - **gateway** — consult your network administrator for this value or leave the default value if a gateway is not used.
 - **netmask** — consult your network administrator for this value or leave the default value.

Sample file: network.default.txt

NOTE: The highlighted parameters should be changed for typical installations.

```
[ NetworkProfile ]
ipAcquisitionType_ = static
ipAddress_ = 192.168.1.202
gateway_ = 192.168.1.254
netmask_ = 255.255.255.0
networkName_ = VIRTUA_1_202
port_ = 104
isBehindFirewall_ = false
doUseDefaultNetworkName_ = true
speedDuplex_ = 0
firewallEnabled_ = false
httpFirewallPortOpen_ = true
telnetFirewallPortOpen_ = false
smbFileShareFirewallPortOpen_ = true
ipAliasingEnabled_ = false
additionalIpAddresses_ = 0
```

Set Site Information

1. Use a text editor to edit the file: `\profiles\site\site.default.txt`.
2. Make desired changes to the site information.

Sample file: `site.default.txt`

NOTE: The highlighted parameters should be changed for typical installations.

```
[ SiteProfile ]
address0 = Codonics Imaging Center
address1 = 17991 Englewood Drive
address2 = Suite D
address3 = Middleburg Heights, OH 44130
customLabelFileLocation =
defaultImagerProfile =
defaultJobProfile =
demoSiteBurnDirectory = c:\data\cc\spd
inactivityTimeout = 60
isDemoSite = false
logoFileLocation =
siteDisclaimer = This disc contains confidential medical information.
If you are not the intended recipient or an authorized user, please
contact the site shown on this label.
siteName = Codonics
phoneNumber = 1-800-444-1198
url = www.codonics.com
```

Set Locale

1. Use a text editor to edit the file: `\profiles\locale\locale.default.txt`.
2. Enter the appropriate locale configuration code for the “locale” parameter.

Sample file: `locale.default.txt`

NOTE: The highlighted parameter may be changed for typical installations.

```
[ LocaleProfile ]
localeProfileName = default
doAdjustForDaylightSavingsTime = true
twelveTwentyfourDisplay = 24
timezone = EST
personNameFormat = 0
column2 = phys
locale = en_US
overrideForIR100 = None
```

Common Locale Codes

Locale	Code
Chinese (PRC)	zh_CN
English (U.S.)	en_US
French (France)	fr_FR
German (Germany)	de_DE
Italian (Italy)	it_IT
Japanese (Japan)	ja_JP
Portuguese (Portugal)	pt_PT
Spanish (Spain)	es_ES

For a complete listing of locale codes, refer to the User's Manual (VE-MNLU).

Set Media Selection Mode

1. Use a text editor to edit the file: `\profiles\system.txt`.
2. To use Manual media selection mode, set the parameter `doSmartDetectLoadedMediaType = false`.

To use Auto media selection mode, set the parameter `doSmartDetectLoadedMediaType = true`.

Sample file: `system.txt`

NOTE: The highlighted parameter may be changed for typical installations.

```
[ SystemProfile ]
inputBin = CD
doSmartDetectLoadedMediaType = false
maxStudyAge = 30
fullInstall = false
enableHotFolder = false
screenSaver = waves
beepingDisabled = false
autoLogoutIdleDelay = 0
voiceDisabled = false
systemVolume = 3
```

Return the SmartDrive to Virtua E

1. Unmount the SmartDrive from Windows.
2. Remove the SmartDrive from the PC.
3. Reinsert the SmartDrive in Virtua E.
4. Start up Virtua E.

DICOM Host Set-up

Host Settings for Storing DICOM Studies to Virtua E

AE Title	TCP Port	Description
Manual	104	Place studies in Study List for manual recording.
Auto	104	Automatically record studies, and automatically select the media type.
AutoCD	104	Automatically record studies on a CD.
AutoDVD	104	Automatically record studies on a DVD.

1. **Configure the Calling AE Title, TCP port, and IP address of Virtua E.**

Virtua E Configuration

On Screen Keyboard



On Screen Keyboard allows character input from Display.

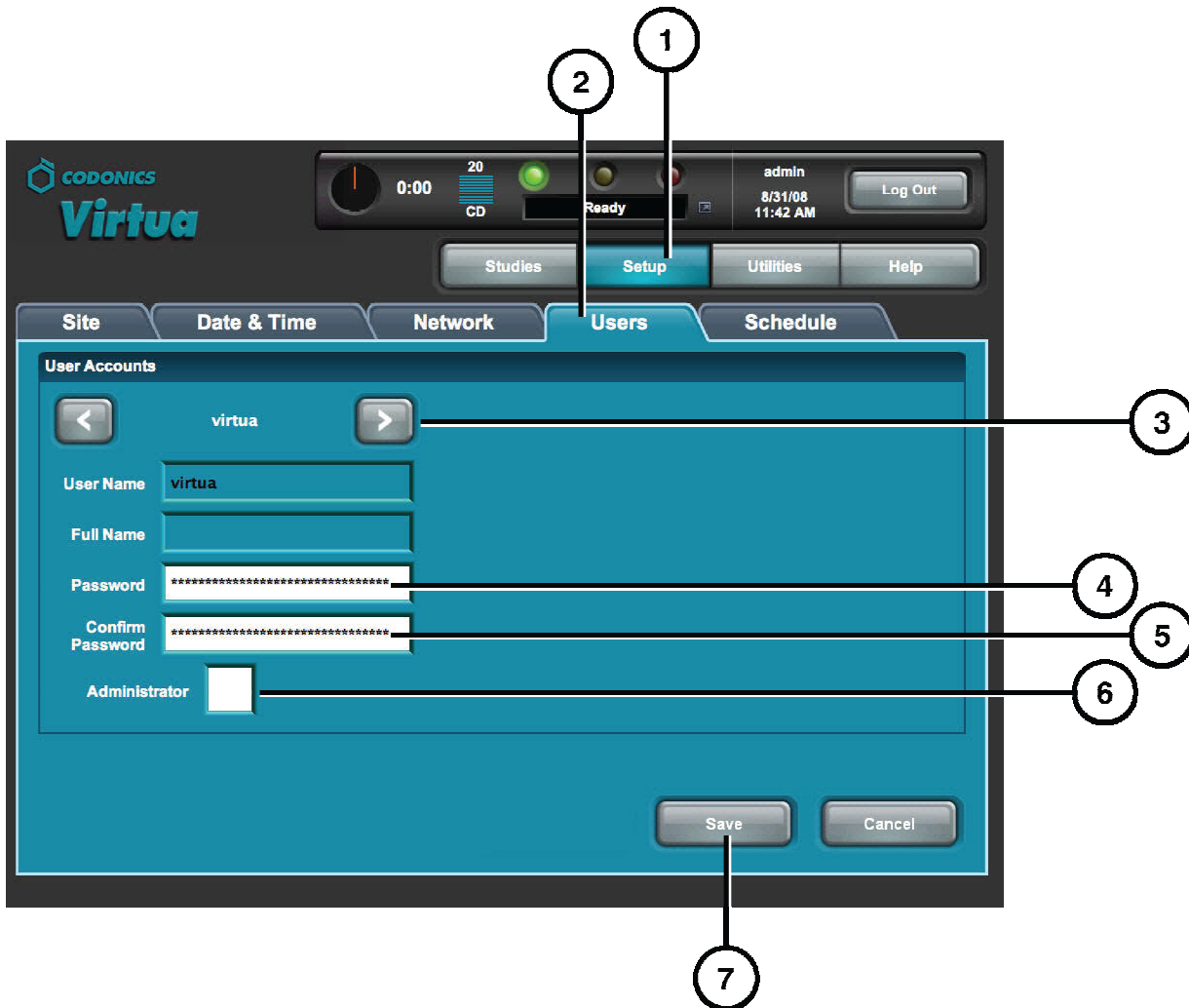
1. Touch characters.
2. Displays typed characters.
3. Press OK when done.

Log In



1. On the Login screen, touch the Username field. Type “admin”.
2. Touch the Password field. Type “codonics”.
3. Touch the Log In button.

Set User Password



1. Touch the Setup button.
2. Touch the Users tab.
3. Select the User Name.
4. Enter the Password.
5. Confirm the Password.
6. Set the Administrator mode (optional).
7. Touch the Save button.

View Site Information



1. Touch the Setup button.
2. Touch the Site tab.

Select the Media Type (Manual Mode)



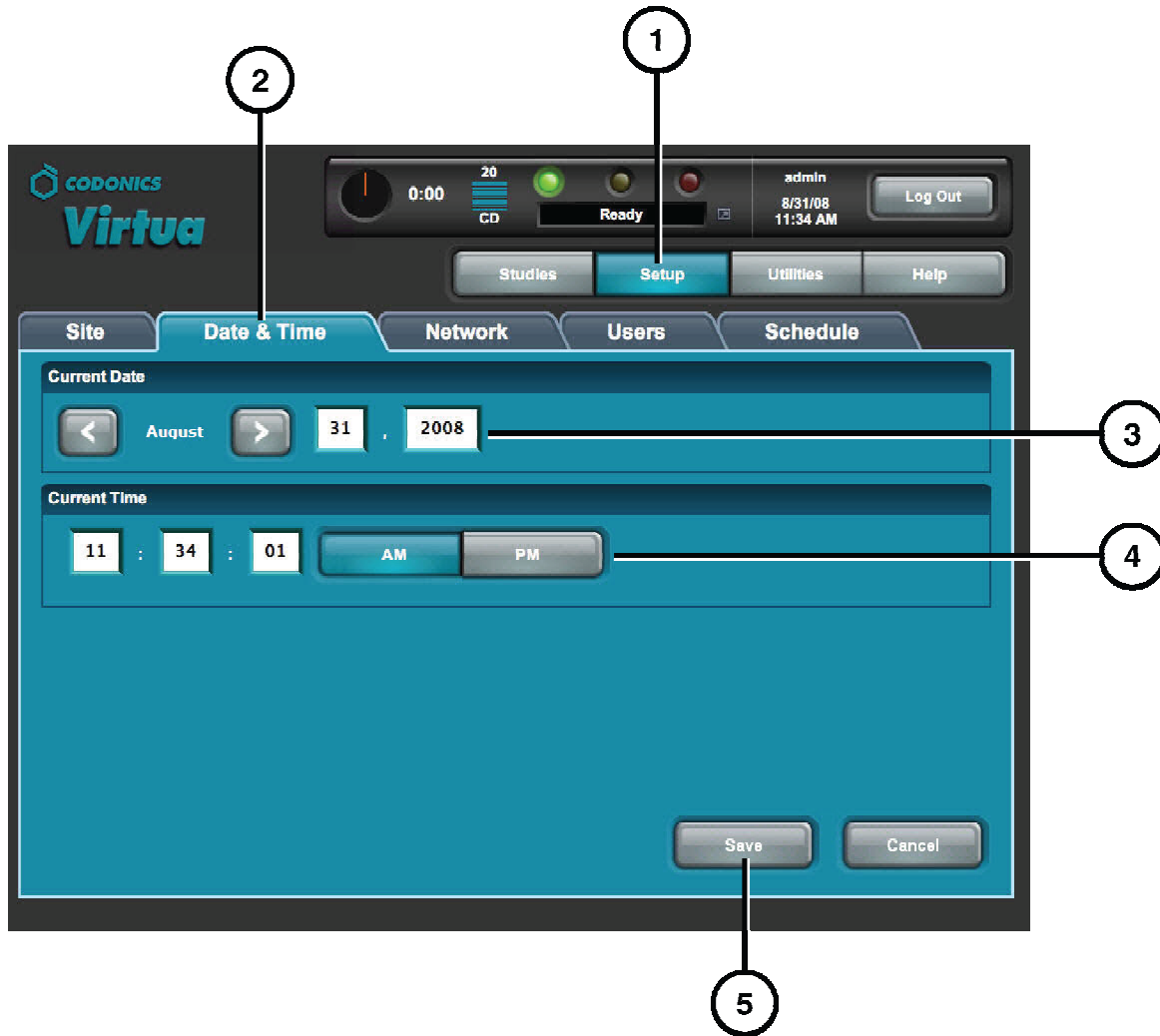
1. Touch the Utilities button.
2. Touch the Ink and Media tab.
3. Select the desired media type.
4. Load the selected media type in the input bin.

Load Demo Studies



1. Touch the Utilities button.
2. Touch the Diagnostics tab.
3. Touch the Load button.

Set Date and Time



1. Touch the Setup button.
 2. Touch the Date & Time tab.
 3. Enter the Date.
 4. Enter the Time.
 5. Touch the Save button.
- NOTE: Virtua E will reboot automatically.

Record Studies



1. Touch the Studies button.
2. Touch the Studies tab.
3. Select the Filter.
4. Select the Studies.
5. Touch the Record button.



6. Touch the Edit Options button.



7. Select a disc label.
8. Select DICOM viewer(s) to be included on the disc.
9. Set Make Auto-Run (optional).
10. Select the media type.
11. Select the number of copies.
12. Touch the OK button.



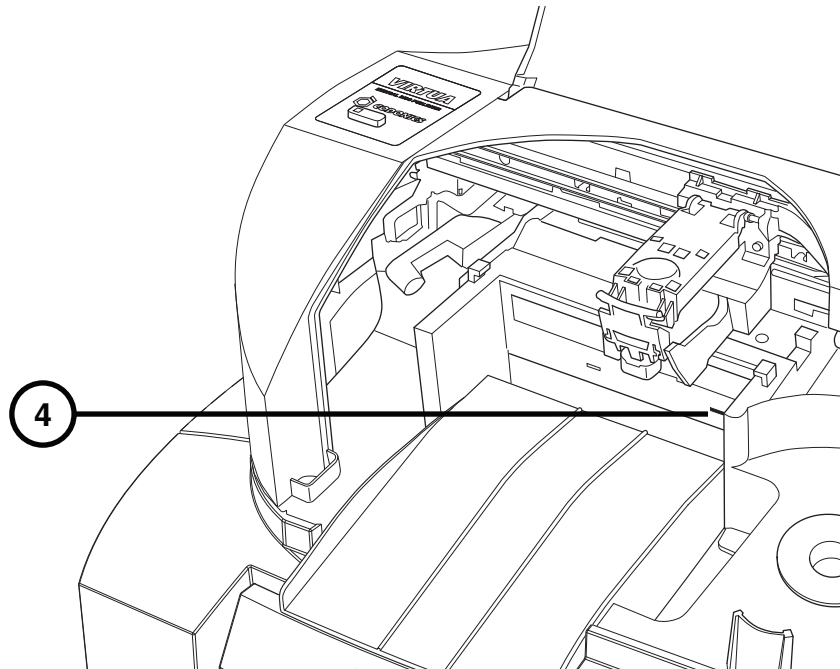
13

13. Touch the OK button to record the disc.

Software Installation

NOTE: New systems do not require software installation. Only perform these steps to install new software or when instructed by Codonics Technical Support.

1. Make sure all jobs are complete before installing software.
2. If not already on, power on Virtua E.
3. Open the Recorder cover.



4. Open the drive tray.
5. If there is a disc in the drive tray, remove it.
6. Place the Operating Software disc in the drive tray.
7. Close the drive tray, but leave the Recorder cover open.
8. Perform a soft shutdown by pressing and holding the System power button for about a second.
9. After the shutdown is complete, close the Recorder cover.
10. Press the System power button to start up Virtua E.
11. Wait for the software installation to complete and for Virtua E to reboot (which could take about 45 minutes), indicated when the System status light is green.
The Operating System disc should eject into the output bin.

Troubleshooting

Problem	Solution
System start up fails.	Verify that the power cords are connected. Press the Display power button to verify that the Display is on. Verify that the Display cables (VGA, USB) are connected. Verify that the Recorder USB cable is connected. Verify that the SmartDrive is connected.
Software will not install.	Verify that the eSATA cable is connected.
The drive not found.	Verify that the Recorder eSATA cable is connected.
The Display is blank.	Press the Display power button. Verify that the Display cables (VGA, USB) and power cord are connected.
The Display does not respond properly.	Verify that the Display USB cable is connected. Align Display by touching the Align Touch Screen button.
Login fails.	Verify the username. Verify the password case (uppercase and lowercase). Delete the file <code>\profiles\user\user.admin.txt</code> on the SmartDrive to restore the default password codonics .
The network is not responding.	Verify that the network settings for Virtua E at the sending host and on the SmartDrive are properly configured. Verify that the network cable is connected. Verify that the SmartDrive is connected.
The Recorder is not responding or is not found.	Verify that the Recorder USB cable is connected. Reboot Virtua E.
The printed label is blank, or the print is light or has lines.	Replace the color ink cartridge.
The system reports a disc error or the disc drive makes a rumbling noise.	Verify that the correct media type is loaded in the input bin. Use only recommended quality discs. Handle discs properly when loading them. Remove extra discs. Verify that a clear protective disc is not loaded.
System responses are slow.	Multiple jobs are being processed at the same time. Large jobs with many images are being processed. Multiple remote web connections are active. Check the status lights for an indication of the system status.

Product Information

Manufacturer:

Codonics, Inc.
17991 Englewood Drive
Middleburg Heights, OH 44130 USA
+1.440.243.1198 Phone
+1.440.243.1334 Fax
Email info@codonics.com
www.codonics.com

For technical assistance with Codonics Virtua, call the Codonics Technical Support System at the following number:

Phone: +1.440.243.1198
Toll Free: +1.800.444.1198 (USA only)

The Customer Service System is available weekdays from 8:30 AM to 5:30 PM EST (U.S. holidays excluded). Technical Support is also available online via e-mail and the Codonics web site:

E-mail: support@codonics.com
Web site: www.codonics.com

General product information can also be requested by sending e-mail to:

E-mail: info@codonics.com

Please include your postal mailing address and telephone number in the e-mail message. Basic product information is returned via e-mail. Complete product literature and sample prints are sent by postal mail.

European Authorized Representative:

CEpartner4U
Esdoornlaan 13,
3951DB Maarn
The Netherlands
www.cepartner4u.com



All registered and unregistered trademarks are the property of their respective owners. Specifications subject to change without notice. Patents: www.codonics.com/ip/patents
Copyright © 2005-2018 Codonics, Inc. Printed in U.S.A. Part Number 900-431-003.01.